

# WILDFIRE DOB

1/10 4WD ELECTRIC COMPETITION TOURING CAR KIT

## SETUP SHEET

Arr0



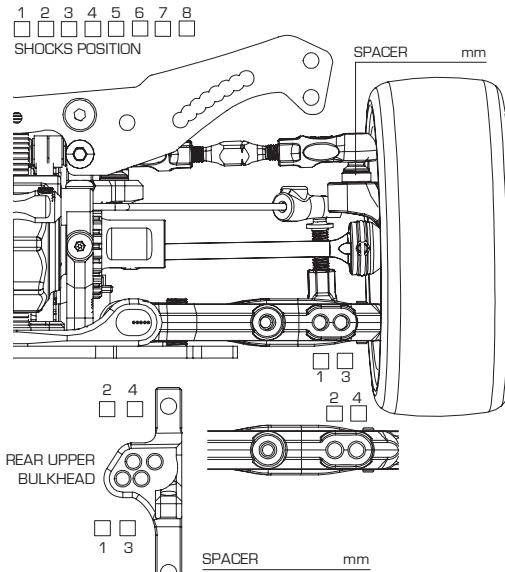
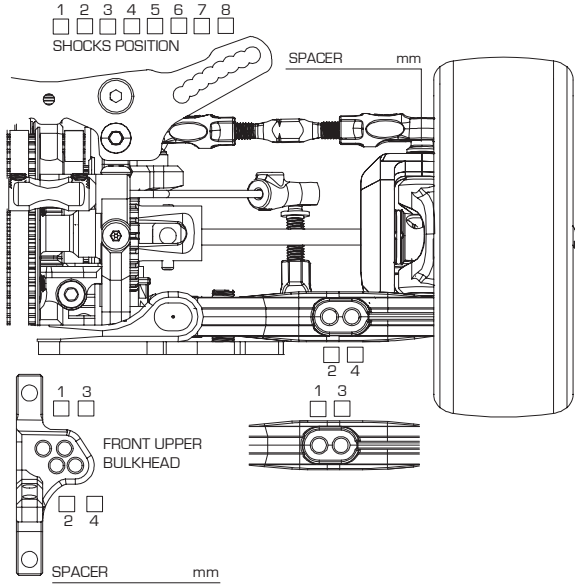
DRIVER \_\_\_\_\_ DATE \_\_\_\_\_

TRACK \_\_\_\_\_ RESULT \_\_\_\_\_

ASPHALT / CARPET INDOOR / OUTDOOR BEST LAP \_\_\_\_\_

HUMIDITY \_\_\_\_\_ TRACK TEMP \_\_\_\_\_ AIR TEMP \_\_\_\_\_

GRIP LOW MEDIUM HIGH SURFACE BUMPY MEDIUM SMOOTH \_\_\_\_\_



COMPOSITES

SILVER   
GOLD

SILVER   
GOLD

SILVER   
GOLD

SILVER   
GOLD

SILVER   
GOLD

**FRONT**

GROUND CLEARANCE mm DROOP mm

CAMBER ANGLE ° TOE ANGLE °

CASTER ANGLE ° FRONT DRIVE DIFF (OIL ) / DIRECT

STABILIZER 1.2 1.3 1.4 WHEEL SPACER mm

SUSPENSION SHIM (FF) mm SUSPENSION SHIM (FR) mm

SUSPENSION MOUNT (FF) SUSPENSION MOUNT (FR)

AXLE TYPE / SIZE TWO-PIECE JOINT / SINGLE JOINT (STEEL / ALUM) mm

**REAR**

GROUND CLEARANCE mm DROOP mm

CAMBER ANGLE ° TOE ANGLE °

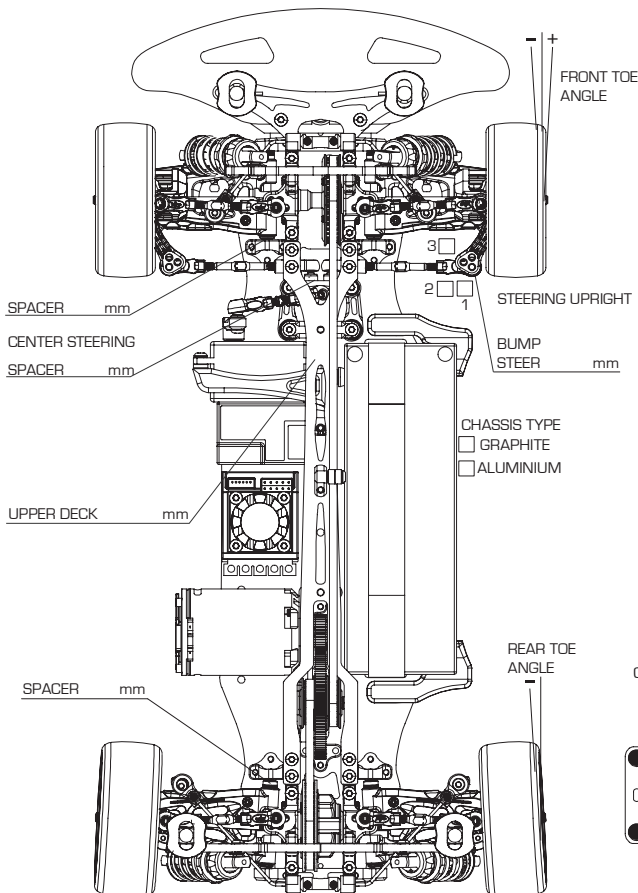
REAR DRIVE DIFF (OIL ) DRIVE CUP ALUMINUM / STEEL

STABILIZER 1.2 1.3 1.4 WHEEL SPACER mm

SUSPENSION SHIM (FF) mm SUSPENSION SHIM (FR) mm

SUSPENSION MOUNT (FF) SUSPENSION MOUNT (FR)

AXLE TYPE / SIZE TWO-PIECE JOINT / SINGLE JOINT (STEEL / ALUM) mm



**FRONT**

SHOCK LENGTH mm

PISTON 3 4 hole(s) / OTHERS

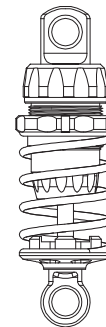
OIL

SPRING

OIL SEALER CAP S / MS / M / H

REBOUND %

NOTES



**REAR**

SHOCK LENGTH mm

PISTON 3 4 hole(s) / OTHERS

OIL

SPRING

OIL SEALER CAP S / MS / M / H

REBOUND %

NOTES

MOTOR SPUR T PITCH PINION T

TIRE TIRE INSERT WHEEL

TIRE ADDITIVE BODY REAR WING

ESC BATTERY

REMARKS

Chassis Flex Setting (Fill in the Circle)

