

# WILDFIRE DOT

1/10 4WD ELECTRIC COMPETITION TOURING CAR KIT

## SETUP SHEET

Arn0



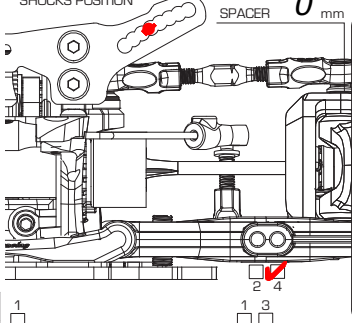
HUMIDITY \_\_\_\_\_ TRACK TEMP \_\_\_\_\_ AIR TEMP \_\_\_\_\_

GRIP LOW  MEDIUM  HIGH \_\_\_\_\_

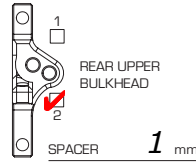
SURFACE BUMPY  MEDIUM  SMOOTH \_\_\_\_\_



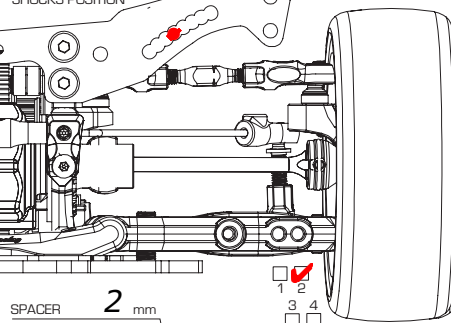
SPACER **0** mm



- WILD FIRE C-HUB SET VERSION 2 D-05-VBC-0064
- WILD FIRE C-HUB SET VERSION 3 D-05-VBC-0066

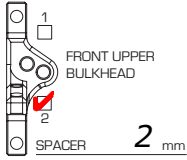


REAR UPPER BULKHEAD  
SPACER **1** mm



- STEERING BLOCK V2 A-03-VBC-0079
- STEERING BLOCK V3 A-03-P30269

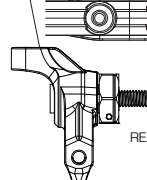
SPACER **2** mm



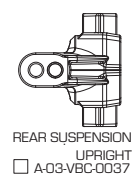
FRONT UPPER BULKHEAD  
SPACER **2** mm

- FRONT SUSPENSION ARM A-03-VBC-0061
- V2 FRONT SUSPENSION ARM A-03-VBC-3027
- V3 FRONT SUSPENSION ARM A-03-P30267

- REAR SUSPENSION ARM A-03-VBC-0062
- V2 REAR SUSPENSION ARM A-03-VBC-3028
- V3 REAR SUSPENSION ARM A-03-P30268



REAR UPRIGHT ONE HOLE



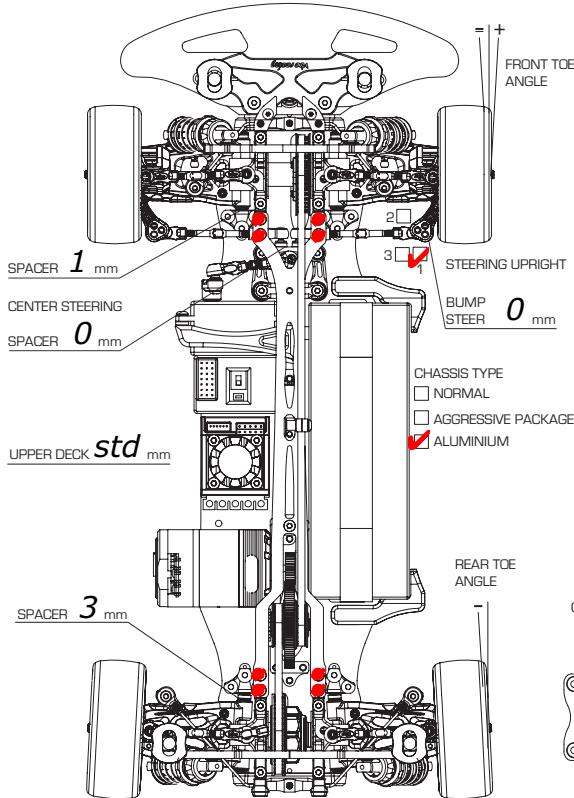
REAR SUSPENSION UPRIGHT  
 A03P30178  A-03-VBC-0037

### Front

GROUND CLEARANCE	<b>5</b> mm	DROOP	<b>10</b> mm
CAMBER ANGLE	<b>-1</b> °	TOE ANGLE	<b>0</b> °
CASTER ANGLE	<b>4</b> °	FRONT DRIVE DIFF (OIL )	<input checked="" type="checkbox"/> DIRECT
STABILIZER	1.2 <input checked="" type="checkbox"/> 1.4	WHEEL SPACER	<b>0</b> mm
SUSPENSION SHIM (FF)	<b>0</b> mm	SUSPENSION SHIM (FR)	<b>0</b> mm
SUSPENSION MOUNT (FF)	<b>F05</b>	SUSPENSION MOUNT (FR)	<b>C05</b>
AXLE TYPE / SIZE	TWO-PIECE JOINT / SINGLE JOINT (STEEL/ALUM) mm		

### Rear

GROUND CLEARANCE	<b>5</b> mm	DROOP	<b>9.5</b> mm
CAMBER ANGLE	<b>-1.5</b> °	TOE ANGLE	<b>3.5</b> °
REAR DRIVE	DIFF (OIL <b>5k</b> )	DRIVE CUP	ALUMINUM / <input checked="" type="checkbox"/> FUEL
STABILIZER	<input checked="" type="checkbox"/> 1.3 1.4	WHEEL SPACER	mm
SUSPENSION SHIM (FF)	<b>0</b> mm	SUSPENSION SHIM (FR)	<b>0</b> mm
SUSPENSION MOUNT (FF)	<b>C0</b>	SUSPENSION MOUNT (FR)	<b>E30</b>
AXLE TYPE / SIZE	TWO-PIECE JOINT / SINGLE JOINT (STEEL/ALUM) mm		



FRONT TOE ANGLE

STEERING UPRIGHT  
BUMP STEER **0** mm

- CHASSIS TYPE NORMAL
- AGGRESSIVE PACKAGE
- ALUMINIUM

UPPER DECK **std** mm

REAR TOE ANGLE

SPACER **3** mm

### Front

SHOCK LENGTH	<b>59.5</b> mm
PISTON	<b>3</b> <input checked="" type="checkbox"/> hole(s) / OTHERS
OIL	<b>500</b>
SPRING	<b>Yokomo Blue</b>
OIL SEALER CAP	S / MS / <input checked="" type="checkbox"/> H
REBOUND	<b>25</b> %
NOTES	

### Rear

SHOCK LENGTH	<b>59.5</b> mm
PISTON	<b>3</b> <input checked="" type="checkbox"/> hole(s) / OTHERS
OIL	<b>550</b>
SPRING	<b>Yokomo Blue</b>
OIL SEALER CAP	S / MS / <input checked="" type="checkbox"/> H
REBOUND	<b>25</b> %
NOTES	



MOTOR	<b>D4 1s</b>	SPUR	<b>96</b> T	PITCH	<b>64</b>	PINION	<b>46</b> T
TIRE	<b>Jaco Blue</b>	TIRE INSERT		WHEEL	<b>Jaco</b>		
TIRE ADDITIVE	<b>SXT</b>	BODY	<b>PF LW Dart</b>	REAR WING	<b>LW Dart</b>		
ESC	<b>Tekin RSX</b>	BATTERY	<b>Trinity White Carbon</b>				
REMARKS	<b>EMR 0.5 Alu Hubs inner hole</b>						

Chassis Flex Setting (Fill in the Circle)

