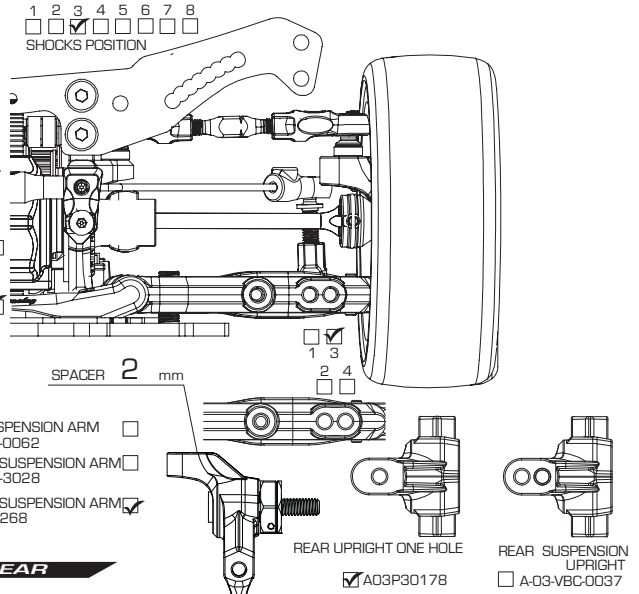
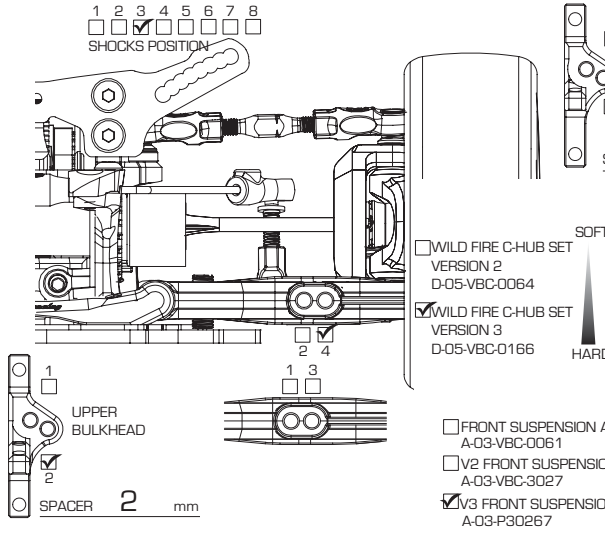


WILDFIRE DOT

1/10 4WD ELECTRIC COMPETITION TOURING CAR KIT

SETUP SHEET



FRONT

GROUND CLEARANCE 4.8 mm DROOP 9.5 (To Pin Center)

CAMBER ANGLE 1.5 TOE ANGLE +1

CASTER BLOCK 4 FRONT DRIVE DIFF (OIL) DIRECT

STABILIZER 1.2 1.3 1.4 WHEEL SPACER 0 mm

SUSPENSION SHIM (FF) 1 mm SUSPENSION SHIM (FR) 1 mm

SUSPENSION MOUNT (FF) F00 SUSPENSION MOUNT (FR) C0

AXLE TYPE / SIZE TWO-PIECE JOINT SINGLE JOINT (STEEL/ALUM) mm

REAR

GROUND CLEARANCE 5.2 mm DROOP 9.0 (To Pin Center)

CAMBER ANGLE 2 TOE ANGLE 3

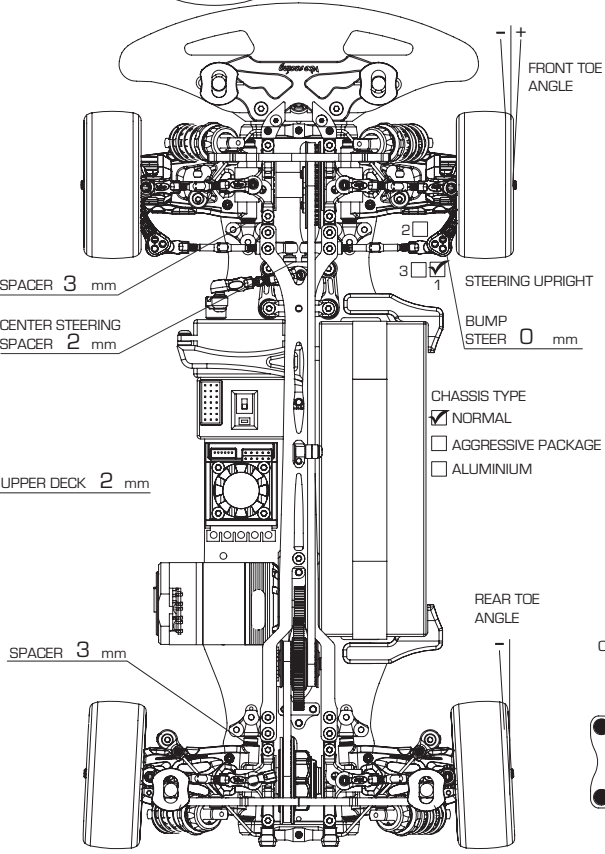
REAR DRIVE DIFF (OIL 1000) DRIVE CUP ALUMINUM STEEL

STABILIZER 1.2 1.3 1.4 WHEEL SPACER mm

SUSPENSION SHIM (RF) 1 mm SUSPENSION SHIM (RR) 1 mm

SUSPENSION MOUNT (RF) C0 SUSPENSION MOUNT (RR) E30

AXLE TYPE / SIZE TWO-PIECE JOINT SINGLE JOINT (STEEL/ALUMINUM) mm



FRONT

SHOCK LENGTH 59 mm

PISTON 3 4 hole(s) / OTHERS

OIL 350

SPRING Orange

OIL SEALER CAP S / MS / M / H

REBOUND 20 %

NOTES

MOTOR SPUR PITCH/ T PINION PITCH/ T

TIRE TIRE INSERT WHEEL

TIRE ADDICTIVE BODY REAR WING

ESC BATTERY

REMARKS

REAR

SHOCK LENGTH 59 mm

PISTON 3 4 hole(s) / OTHERS

OIL 350

SPRING Red

OIL SEALER CAP S / MS / M / H

REBOUND 20 %

NOTES

MOTOR SPUR PITCH/ T PINION PITCH/ T

TIRE TIRE INSERT WHEEL

TIRE ADDICTIVE BODY REAR WING

ESC BATTERY

REMARKS

Chassis Flex Settin (Fill in the Circle)

