

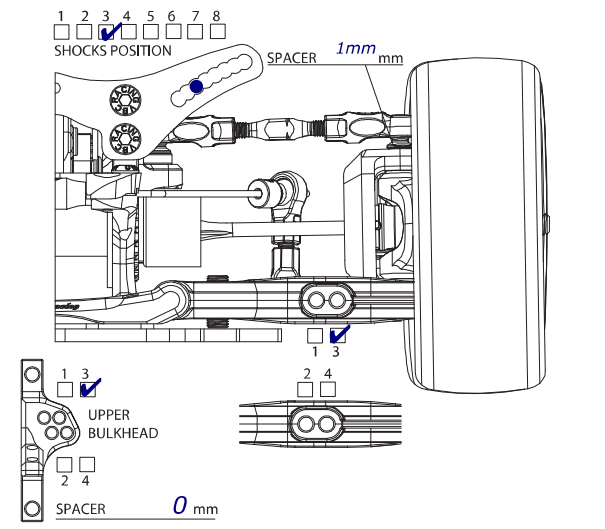
WILDFIRE DOB

1/10 4WD ELECTRIC COMPETITION TOURING CAR KIT



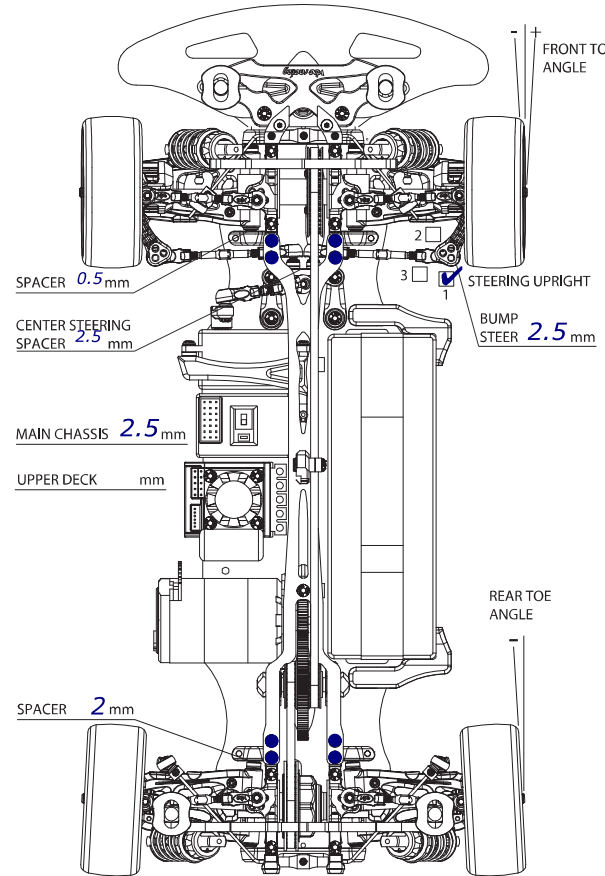
SETUP SHEET

DRIVER <i>Delisé Nicolas</i>	DATE _____
TRACK NAME <i>Longwy GP3F</i>	RESULT <i>6</i>
COMPOSITION _____	(IND <input checked="" type="checkbox"/> / OUTDOOR) BEST LAP <i>11.5</i>
HUMIDITY _____	TRACK TEMP _____
GRIP HI <input type="checkbox"/> MEDIUM <input checked="" type="checkbox"/> LOW _____	SURFACE SMOOTH <input checked="" type="checkbox"/> BUMPY _____

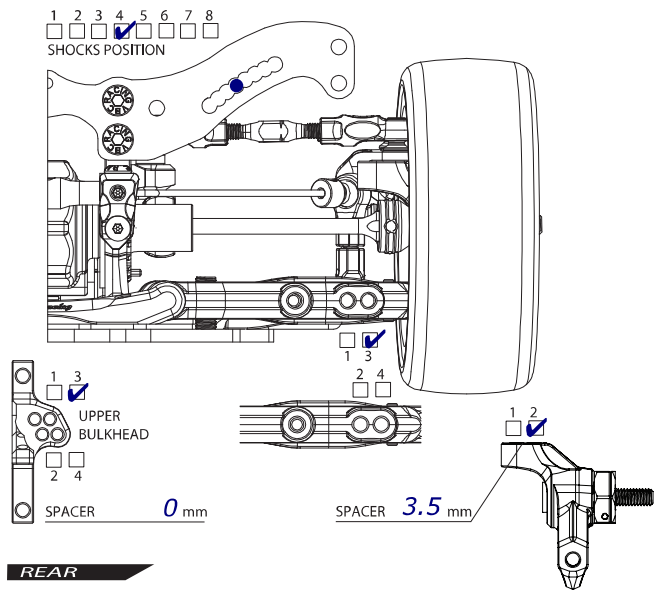


FRONT

GROUND CLEARANCE	<i>5</i> mm	DROOP	<i>5.5</i>
CAMBER ANGLE	<i>1.5</i> °	TOE ANGLE	<i>2</i> °
CASTER BLOCK	<i>4</i> °	FRONT DRIVE	DIFF (OIL _____) / DIRECT <input checked="" type="checkbox"/>
STABILIZER	1.2 <input checked="" type="checkbox"/> 1.4	WHEEL SPACER	<i>0</i> mm
SUSPENSION SHIM (FF)	<i>1</i> mm	SUSPENSION SHIM (FR)	<i>1</i> mm
SUSPENSION MOUNT (FF)	<i>f00</i>	SUSPENSION MOUNT (FR)	<i>-C10</i>
WHEELBASE FRONT	REAR <i>0.5</i>	BELT TENSION	
AXLE TYPE / SIZE	TWO PIECE JOINT / SINGLE JOINT (STEEL/ALUM) _____ mm		



Am0 - v1.1



REAR

GROUND CLEARANCE	<i>5.4</i> mm	DROOP	<i>1.5</i>
CAMBER ANGLE	<i>1.5</i> °	TOE ANGLE	<i>3</i> °
REAR DRIVE	DIFF (OIL <i>2000</i>)	DRIVE CUP	ALUM <input checked="" type="checkbox"/> / STEEL
STABILIZER	<input checked="" type="checkbox"/> 1.3 1.4	WHEEL SPACER	<i>0</i> mm
SUSPENSION SHIM (RF)	<i>1</i> mm	SUSPENSION SHIM (RR)	<i>1</i> mm
SUSPENSION MOUNT (RF)	<i>-C15</i>	SUSPENSION MOUNT (RR)	<i>E15</i>
WHEELBASE FRONT	<i>2</i>	REAR	<i>2</i>
AXLE TYPE / SIZE	TWO PIECE JOINT / SINGLE JOINT (STEEL/ALUM) _____ mm		

FRONT

SHOCK LENGTH	_____ mm
PISTON	<input checked="" type="checkbox"/> 4 holes / OTHERS _____
OIL	<i>400</i>
SPRING	<i>Orange</i>
OIL SEALER CAP	S / MS / M / H _____
REBOUND	<i>20</i> %
NOTES	_____



REAR

SHOCK LENGTH	_____ mm
PISTON	<input checked="" type="checkbox"/> 4 holes / OTHERS _____
OIL	<i>400</i>
SPRING	<i>Red</i>
OIL SEALER CAP	S / MS / M / H _____
REBOUND	<i>20</i> %
NOTES	_____

MOTOR	<i>MuchMore 10.5</i>	SPUR	T	PINION	T	PITCH
TIRE	<i>CPX</i>	TIRE INSERT		WHEEL		
TIRE ADDITIVE	<i>LRP</i>	TIME	<i>30</i>	TIRE WARMER		
ESC		ESC SETTING				
BATTERY		BODY	<i>Mazda Speed</i>	REAR WING		

REMARKS
Tire additive : 20Min LRP Carpet V3, 10Min LRP Carpet
Cut steering blocks for more steering