

# WILDFIRE

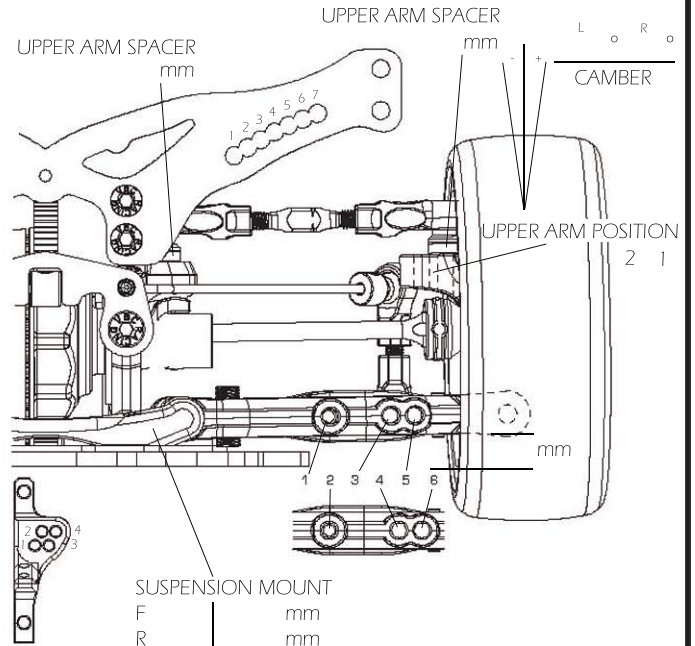
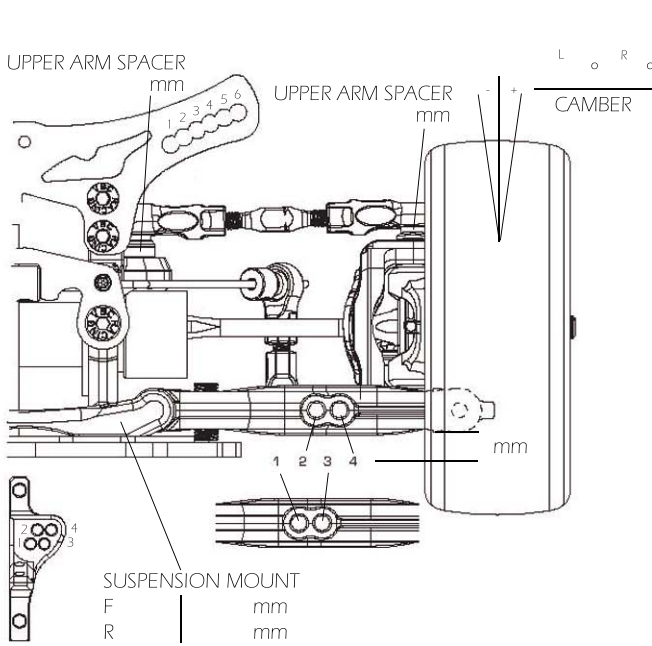
1/10 4WD ELECTRIC COMPETITION TOURING CAR KIT



## SETUP SHEET

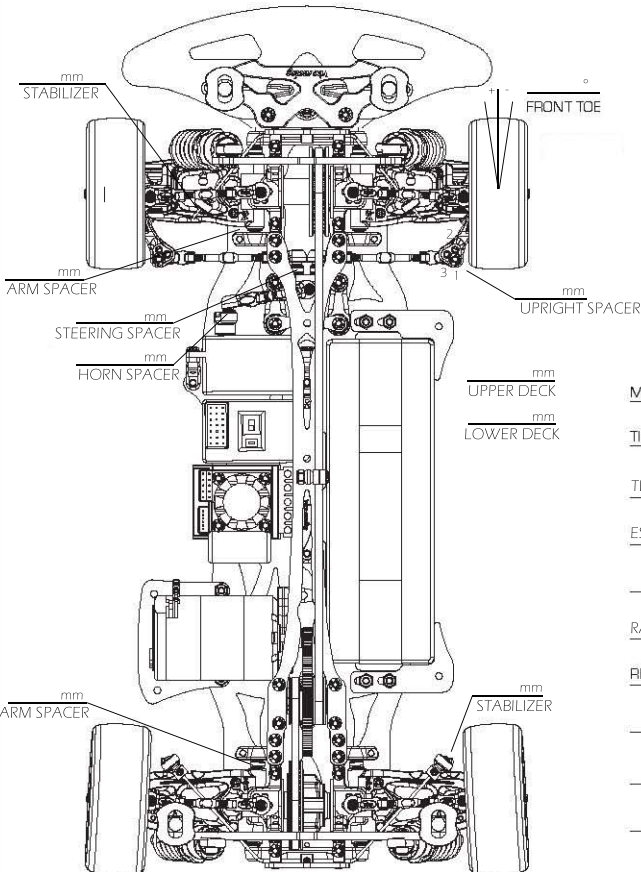
by ///Miguel F. Sanz v1

DRIVER _____	DATE _____
TRACK NAME _____	RESULT _____
TRACK SURFACE _____	GRIP CONDITION HI MED LOW _____
AIR TEMP _____	TRACK TEMP _____
HUMIDITY _____	



GROUND CLEARANCE mm REBOUND mm  
 CASTER BLOCK FRONT DRIVE DIFF (OIL ) DIRECT  
 STABILIZER 1.2 1.3 1.4 WHEEL SPACER mm

GROUND CLEARANCE mm REBOUND mm  
 CASTER BLOCK REAR DRIVE DIFF (OIL )  
 STABILIZER 1.2 1.3 1.4 WHEEL SPACER mm



FRONT  
 SHOCK LENGTH  
 PISTON 1 2 3 hole[s]  
 OIL  
 SPRING  
 REBOUND



REAR  
 SHOCK LENGTH  
 PISTON 1 2 3 hole[s]  
 OIL  
 SPRING  
 REBOUND

MOTOR \_\_\_\_\_ SPUR \_\_\_\_\_ PINION \_\_\_\_\_  
 TIRE \_\_\_\_\_ TIRE INSERT \_\_\_\_\_ WHEEL \_\_\_\_\_  
 TIRE ADDITIVE \_\_\_\_\_ BODY \_\_\_\_\_ BATTERY \_\_\_\_\_  
 ESC PARAMETERS \_\_\_\_\_  
 RADIO PARAMETERS \_\_\_\_\_  
 REMARKS \_\_\_\_\_