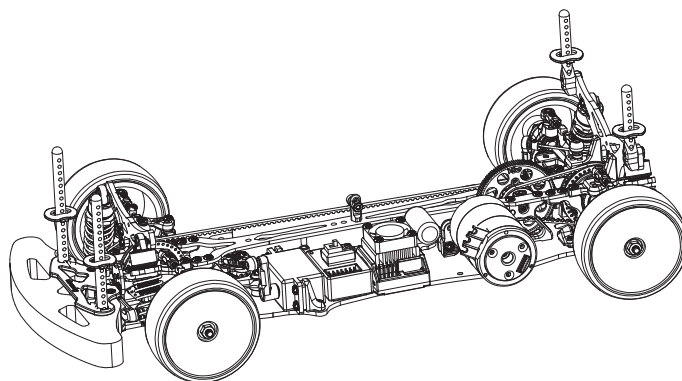


COMPETITION GRADE HIGH PERFORMANCE RADIO CONTROL RACING CAR CHASSIS KIT

WILDFIRE

1/10 4WD ELECTRIC COMPETITION TOURING CAR KIT



INSTRUCTIONS MANUAL

vbc racing

E

Thank you for purchasing VBC Racing product.

Things that we should remind you.

This VBC Racing kit is a high performance, racing grade car kit intended for experienced racers. The kit compose of VBC formulated composite materials, top quality full carbon fiber chassis and high grade 7075 material which will give you a competitive edge over the others.

Novice racer should seek advice from more experienced racer before assembly.

Always keep this instruction manual handy at all times for quick reference even after completing the assembly.

Before your assembly, sand the chassis edges.

Sand the chassis edges with #600 sand paper and apply CA glue to the edges and counter sink holes.

Need help or support.

If you need help or you would like to leave us a comment, please email to our support team: support@vbc-racing.com or visit our web site www.vbcrcracing.com

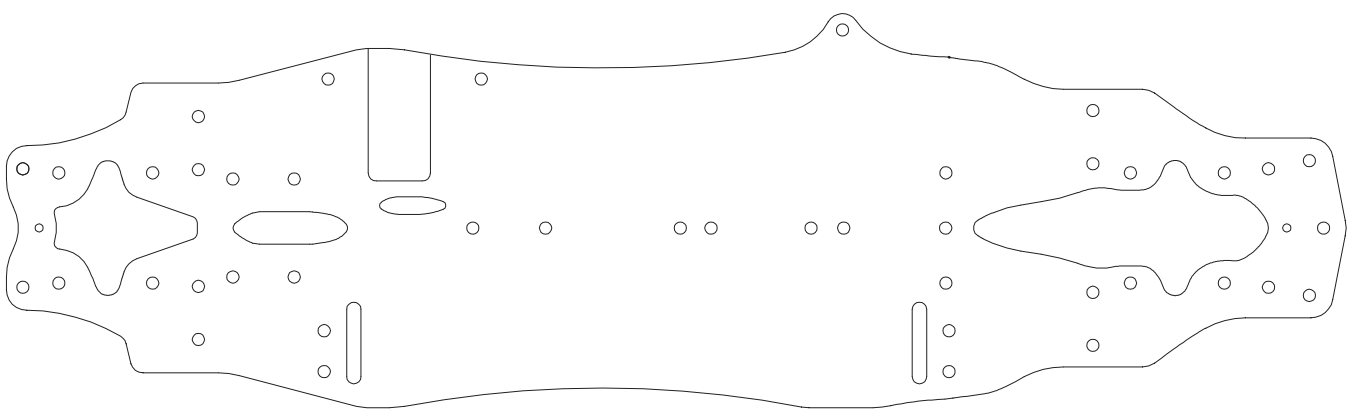


1

Graphite Edges Protection Procedure

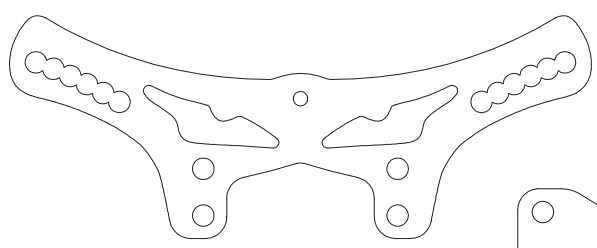


Sand the chassis edges with #600 sand paper(not included) and apply CA glue(not included) to the edges of the chassis.

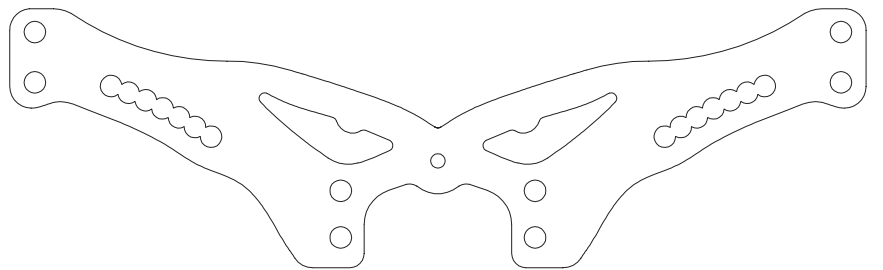


A-01-VBC-0035-25 WildFire Standard Graphite Chassis

Sand the below graphite edges with #600 sand paper and apply CA glue to the edges.



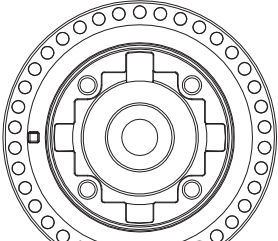
A-01-VBC-0027 WildFire Graphite Front Shock Tower



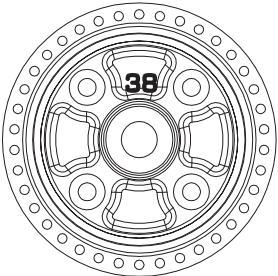
A-01-VBC-0028 WildFire Graphite Rear Shock Tower

2

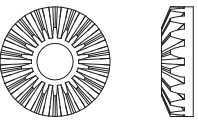
Rear Gear Diff Assembly



Gear Diff Housing A-03-VBC-0016 x 1



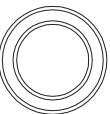
Gear Diff Pulley 38T A-03-VBC-0017 x 1



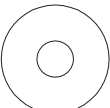
Diff Gear 18T A-03-VBC-0019 x 2



Diff Cup B-02-VBC-0022 x 2



10x15 Ball Bearing C-02-BB-1510-B x 2



15x0.3 Shim B-02-VBC-0077 x 2

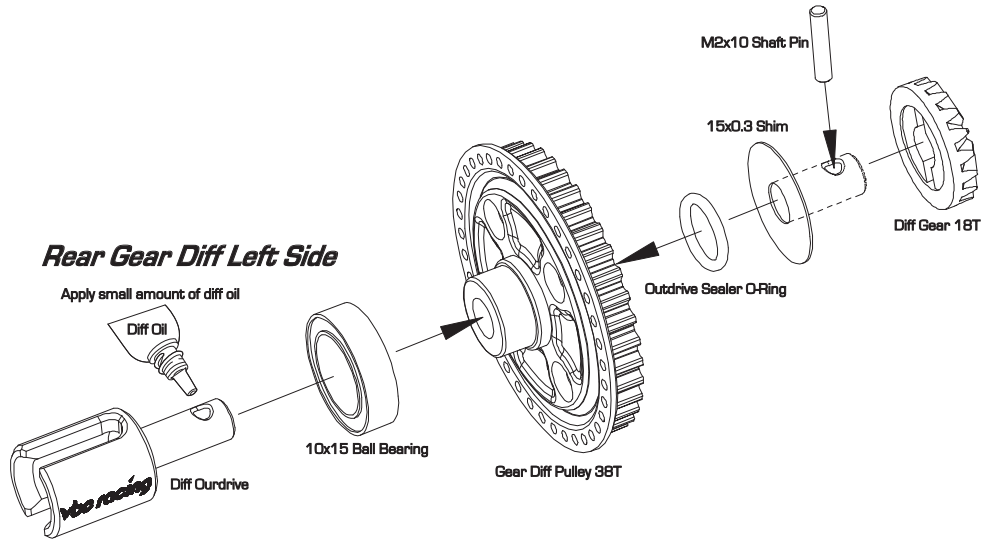


M2x10 Shaft Pin B-02-VBC-0020 x 2

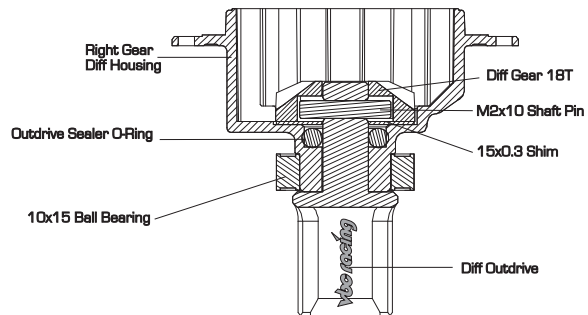
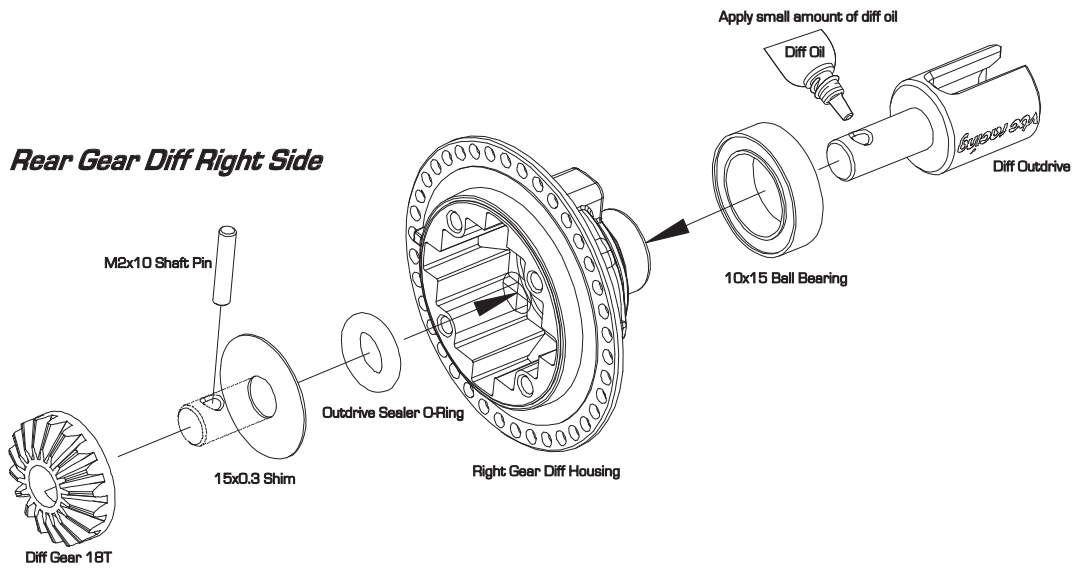


Diff Shaft Sealer O-Ring B-03-VBC-0006 x 2

Rear Gear Diff Left Side



Rear Gear Diff Right Side



Rear Gear Diff Right Side Assembly Cross Section

3

Rear Gear Diff Assembly Continue



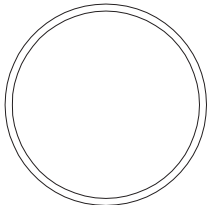
Diff Gear 10T A-03-VBC-0018 x 4



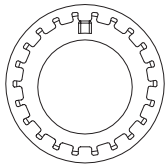
9.5x0.2mm Shim B-02-VBC-0078 x 4



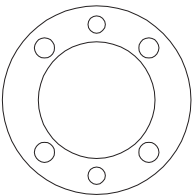
M2.6x10 Flathead Screw C-02-SC-F2.6x10 x 4



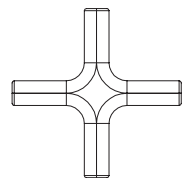
Diff Housing Sealer O-Ring B-03-VBC-0005 x 1



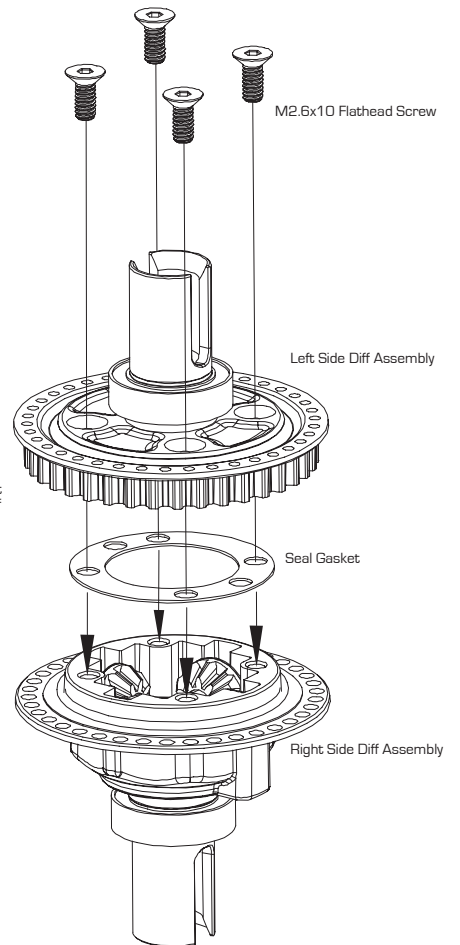
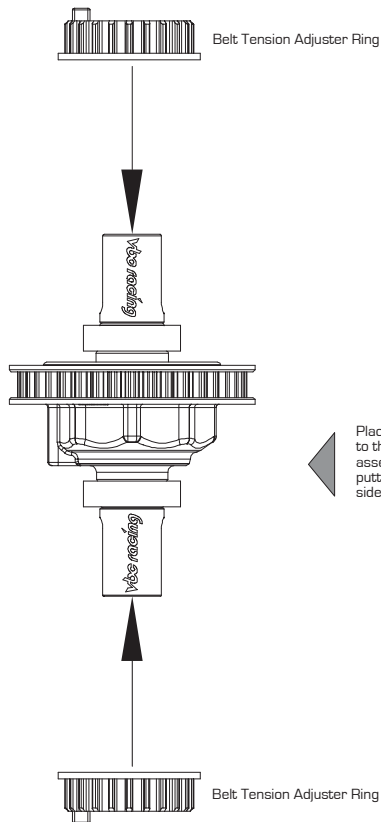
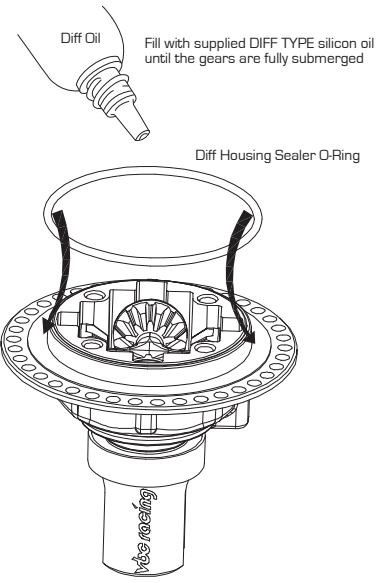
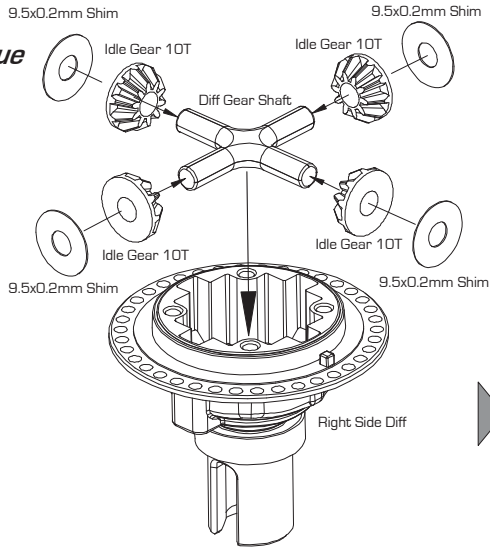
Belt Tension Adjuster Ring A-03-VBC-0047 x 2



Seal Gasket B-03-VBC-0004 x 1



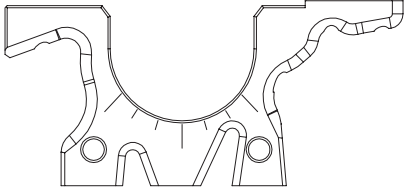
Diff Gear Shaft A-03-VBC-0020 x 1



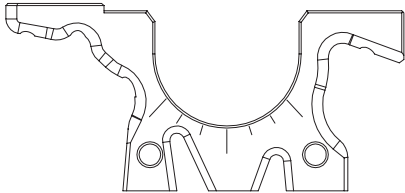
Place Seal Gasket to the left side diff assembly before putting the right side diff together

4

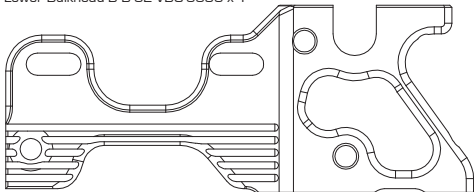
Rear Drivetrain Assembly



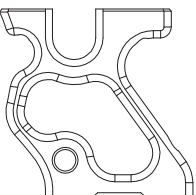
Lower Bulkhead A B-02-VBC-0057 x 1



Lower Bulkhead B B-02-VBC-0090 x 1



Motor Mount B-02-VBC-0058 x 1



Main Gear Bulkhead B-02-VBC-0059 x 1



Center Suspension Mount x 2
B-02-VBC-0062



Motor Mount Support B-02-VBC-0067 x 1



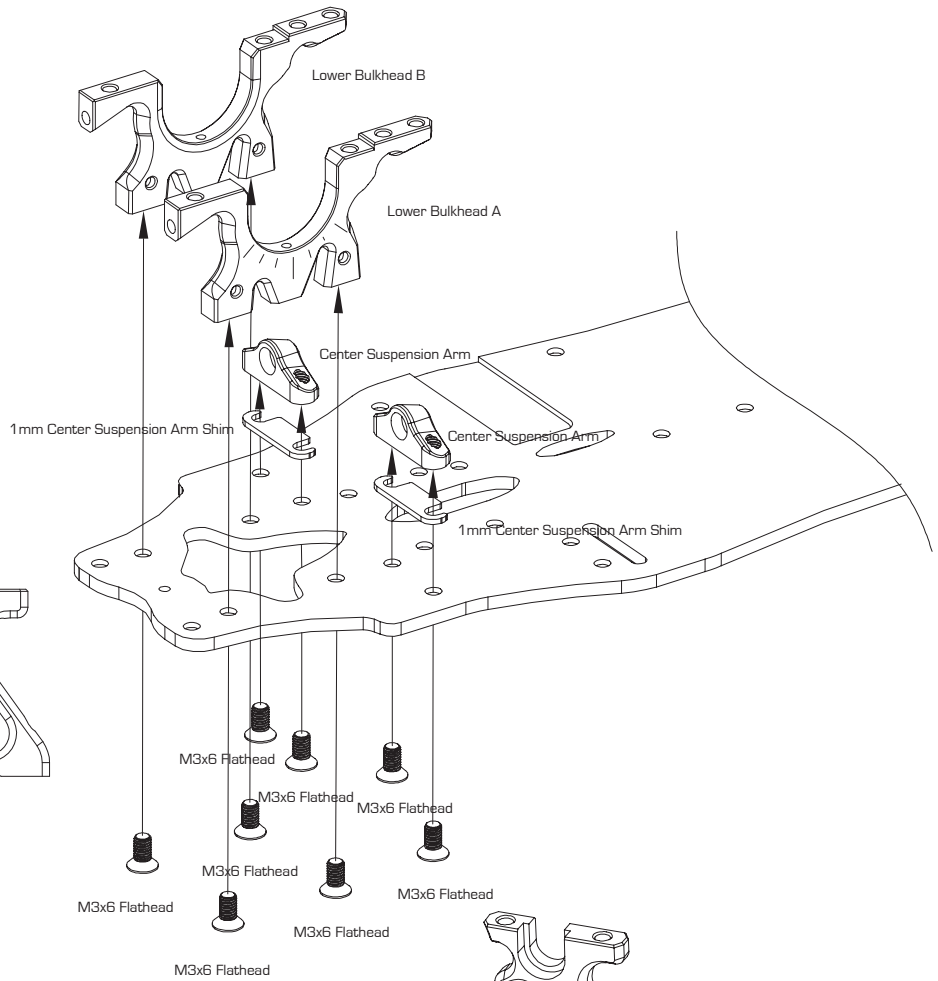
Center Suspension Mount Shim(1mm) x 2
A-01-VBC-0038



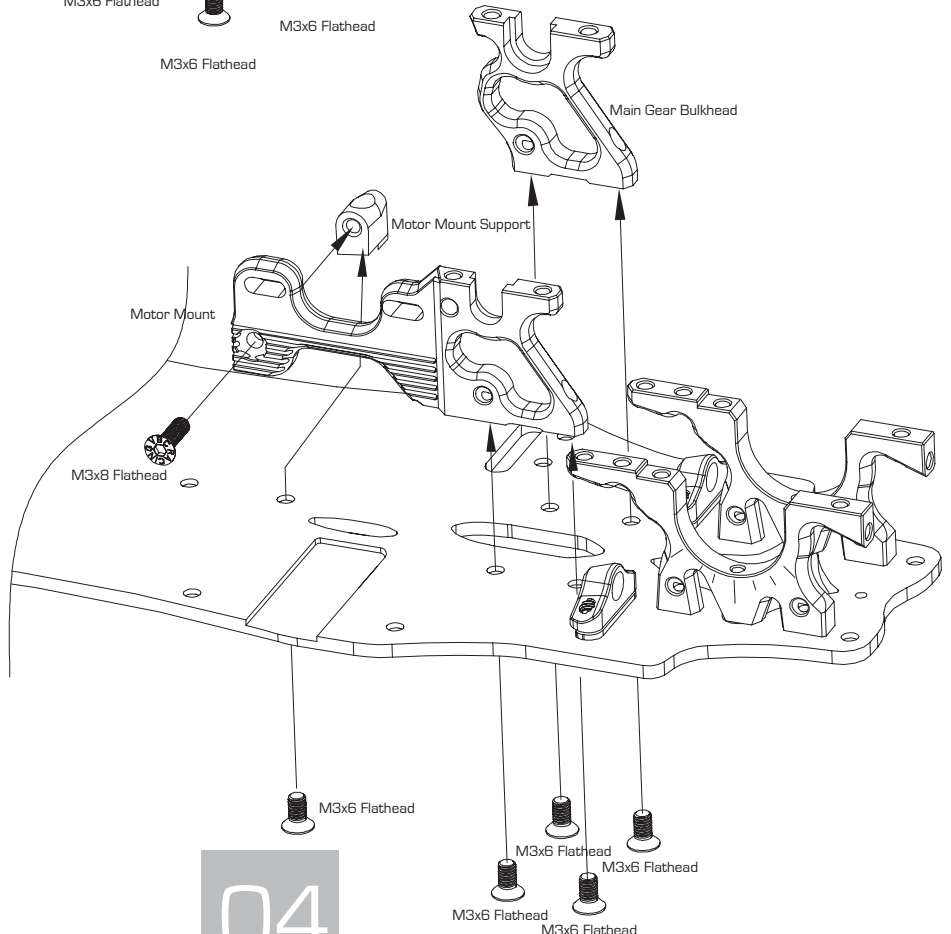
M3x8 Flathead C-02-SC-F0308 x 1



M3x6 Flathead C-02-SC-F0306 x 13



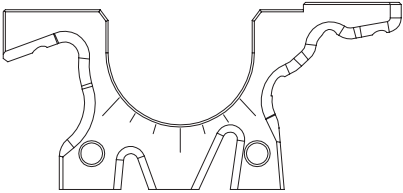
5



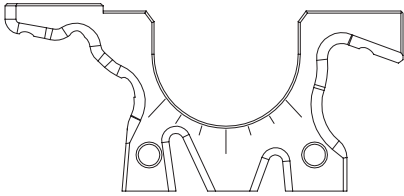
04

6

Front Drive Train Assembly



Lower Bulkhead A B-02-VBC-0057 x 1



Lower Bulkhead B B-02-VBC-0090 x 1



Center Suspension Arm B-02-VBC-0062 x 2



1mm Center Suspension Arm Shim x 2
A-01-VBC-0038



Battery Adjust Top Plate x 1
B-02-VBC-0072



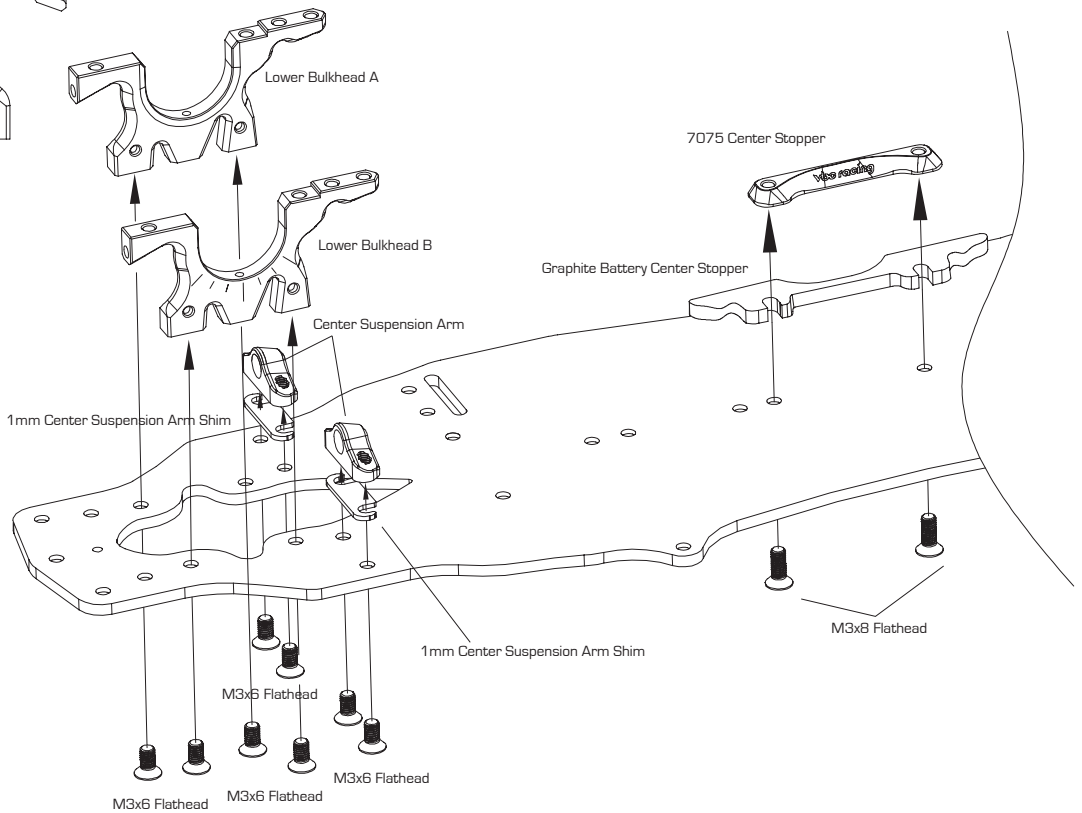
M3x8 Flathead C-02-SC-F0308 x 2



M3x6 Flathead C-02-SC-F0306 x 8

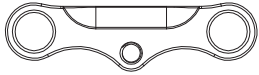


Battery Position Slider A-01-VBC-0033 x 1

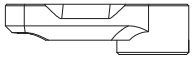


7

Steering System Assembly



Steering Assembly Travel Plate B-02-VBC-0054 x 1



Steering Travel Arm B-02-VBC-0053 x 2



Steering Assembly Pole B-02-VBC-0055 x 2



Ball Connector B-02-VBC-0045 x 3



5x8 Ball Bearing C-02-BB-0805-B x 4



3x6 Ball Bearing C-02-BB-0603 x 2



Steering Cone Washer B-02-VBC-0089 x 2



T2 7075 Spacer B-02-VBC-0019-20 x 2



T1 7075 Spacer B-02-VBC-0019-10 x 2



M3x6 Roundhead C-02-SC-R0306 x 4



M3x6 Set Screw C-02-SC-SS-0306 x 1



M3x10 Set Screw C-02-SC-SS-0310 x 2



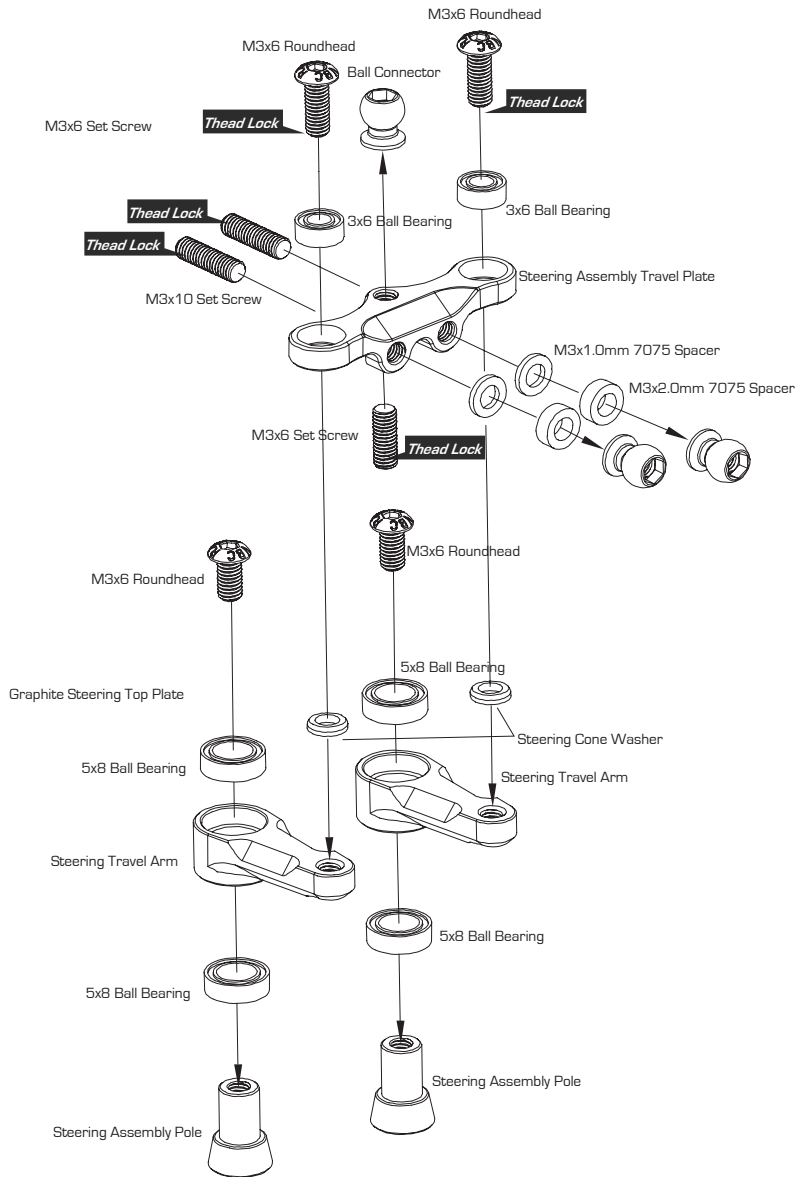
M3x42mm Turnbuckle B-02-VBC-0037 x 2



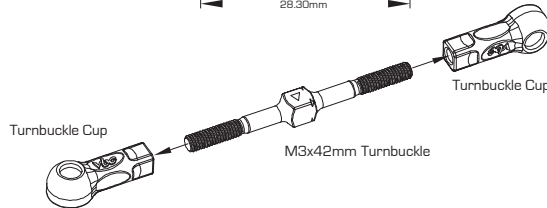
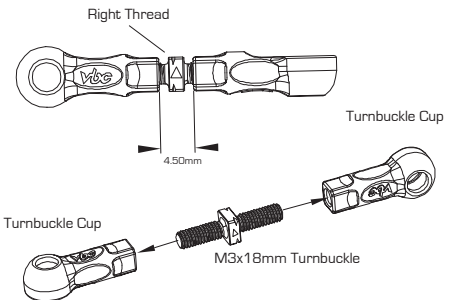
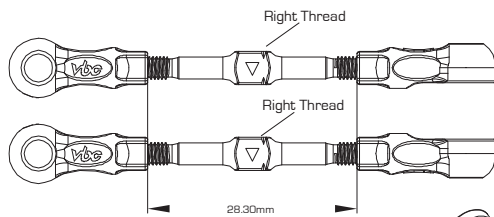
M3x18mm Turnbuckle B-02-VBC-0038 x 1



Turnbuckle Cup A-03-VBC-0039 x 6



8



Make 1 servo link tie-rod, follow the connector cups directions as the above diagram. The connector cups edge to edge shall be 4.50mm. Please use a caliper to measure the exact measurement

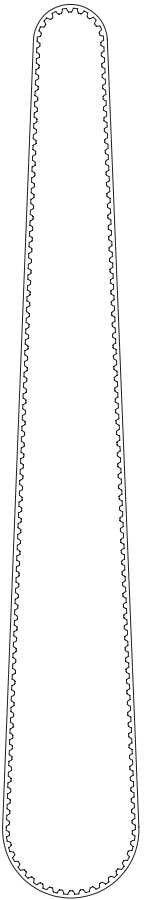
Make 2 steering link tie-rods, follow the connector cups directions as the above diagram. The connector cups edge to edge shall be 28.20mm. Please use a caliper to measure the exact measurement

9

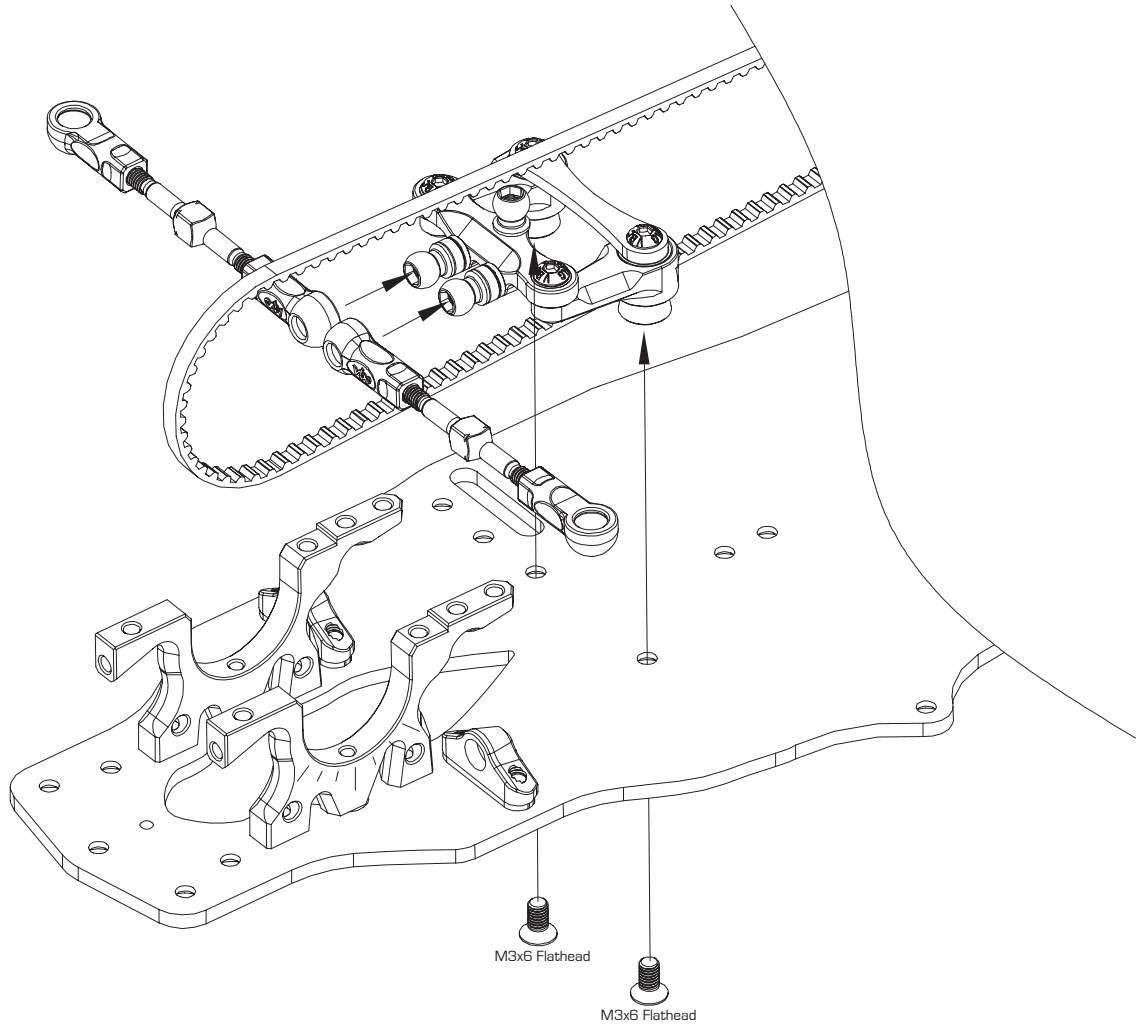
Steering System Assembly



M3x6 Flathead C-02-SC-F0306 x 2



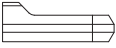
Front Belt Type SS A-03-VBC-0048-512 x 1



Install the steering unit onto the main chassis with two M3x6 Flathead Screws. Then attach the left and right tie rods to the steering unit. Make sure the front belt is between the two Steering Assembly Poles.

10

Upper Deck Assembly



Belt Tensioner B-02-VBC-0069 x 1



3x6mm Ball Bearing C-02-BB-0603 x 2



3x5x0.5mm Shim B-02-VBC-0093 x 3



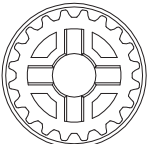
M3x12 Roundhead Screw C-02-SCR-R0312 x 1



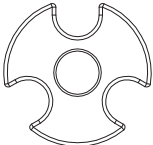
M3x6 Roundhead Screw C-02-SC-R0306 x 1



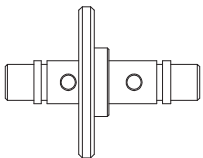
M3 Lock Nut C-02-SC-NN03 x 1



20T Center Pulley A-03-VBC-0023 x 2



Center Pulley Spacer A-03-VBC-0060 x 1



Center Pulley Drive Shaft B-02-VBC-0087 x 1



5x8mm Ball Bearing C-02-BB-0805-B x 2



M3x4 Round Head Screw C-02-SC-R0304 x 3



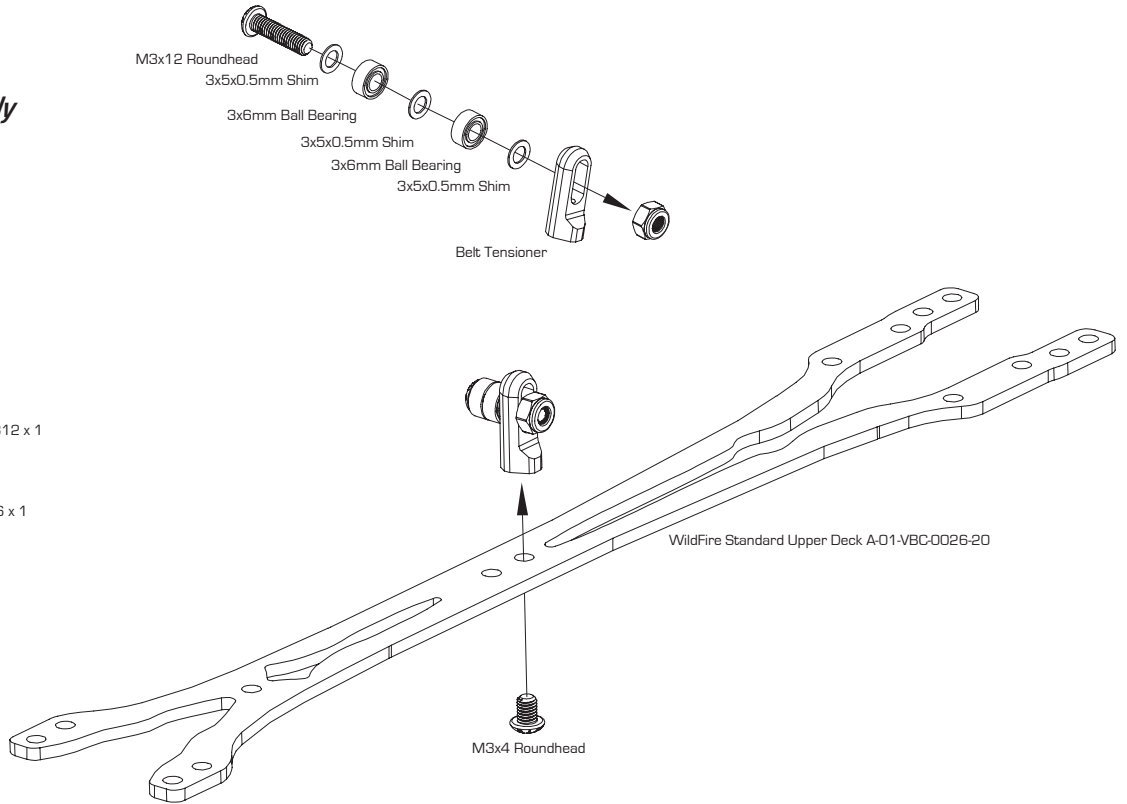
M3x6 Set Screw x 2
C-02-SC-SS-0306



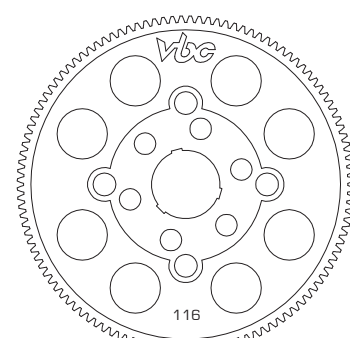
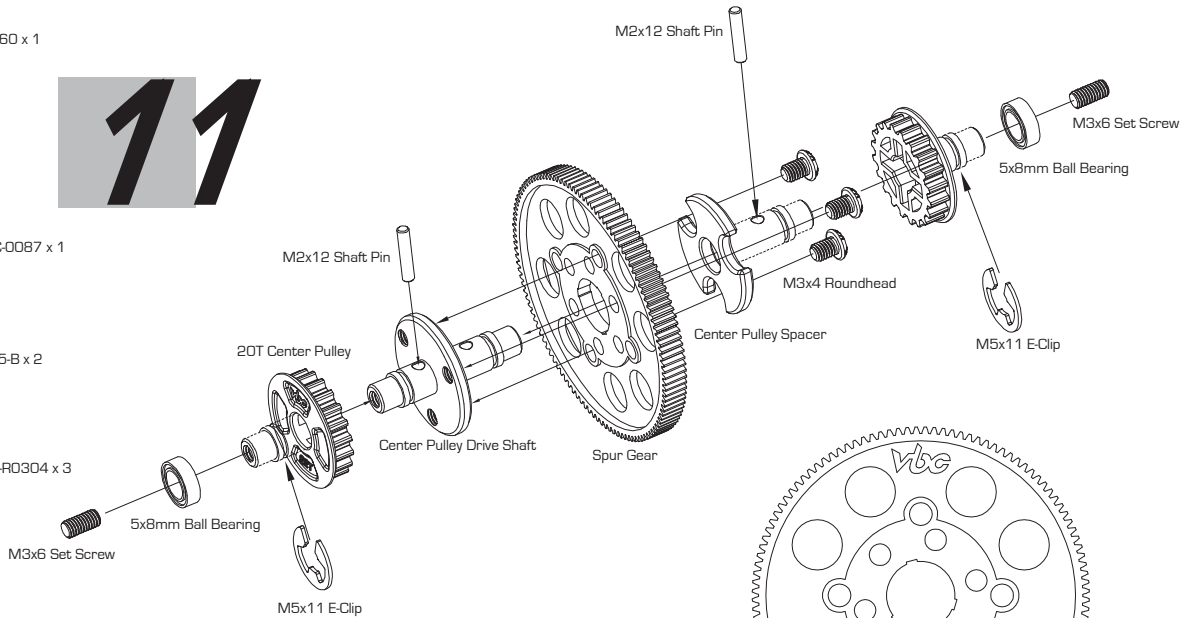
M2x12 Shaft Pin B-02-VBC-0020 x 2



M5x11 E-Clip B-02-VBC-0085 x 2



11



64P Spur Gear 116T A-03-VBC-SG-116 x 1

14

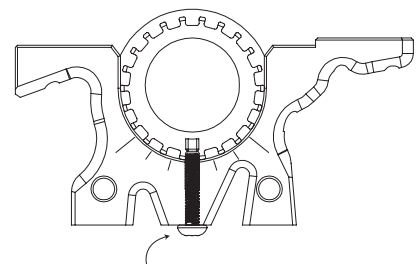
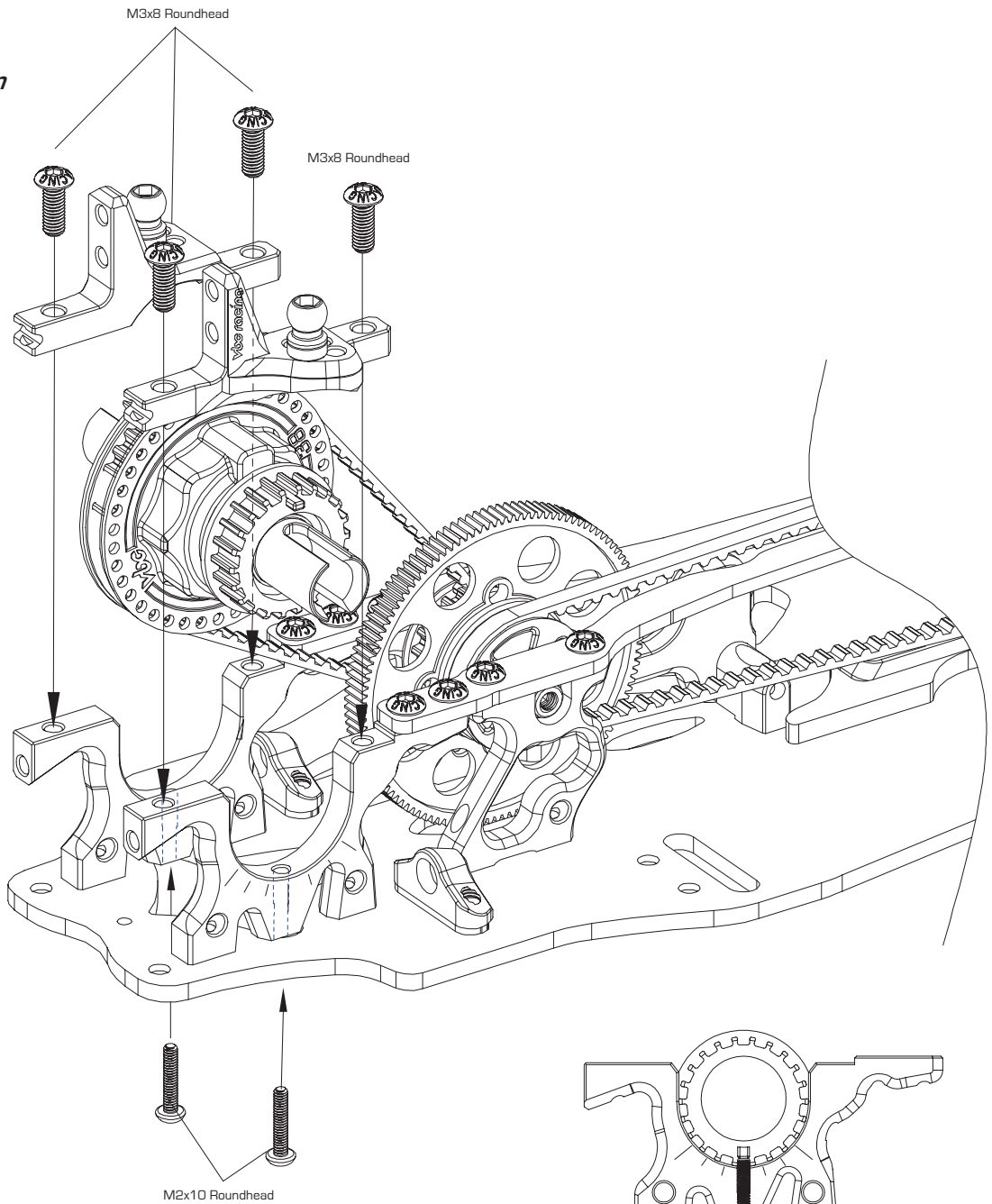
Install Rear Drivetrain



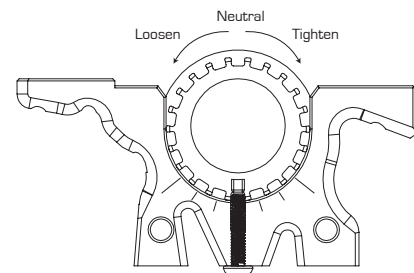
M3x8 Roundhead C-02-SC-R0308 x 4



M2x10 Roundhead C-02-SC-R2.0x10 x 2



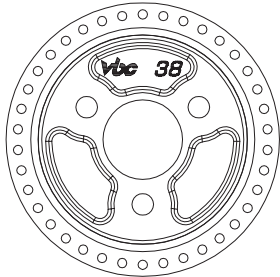
Tighten screw to lock the Belt Tension Adjuster Ring position



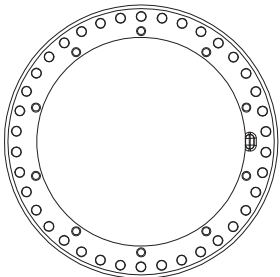
Tighten or loosen the belt tension by adjusting the Belt Tension Adjuster Ring dial

15

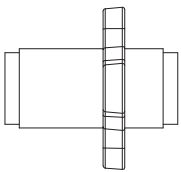
Front Drive Train Assembly - Spool Assembly



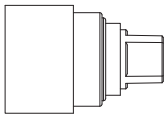
Front Spool 38T A-03-VBC-0021 x 1



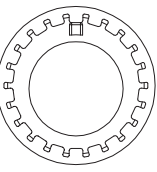
Pulley Belt Guide A-03-VBC-0022 x 1



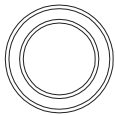
Spool Drive Shaft A-03-VBC-0049 x 1



Front Spool Outdrive A-03-VBC-0055 x 2



Belt Tension Adjuster Ring A-03-VBC-0047 x 2



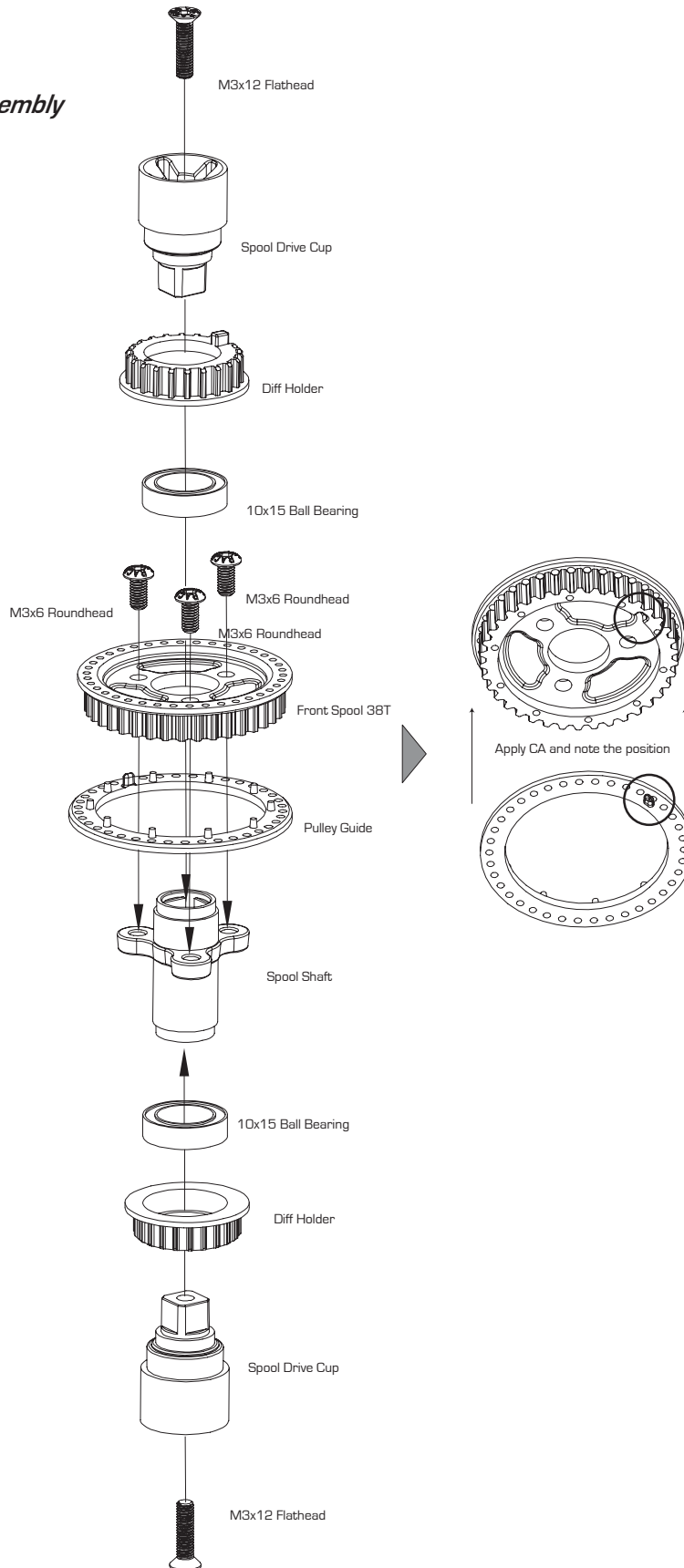
10x15 Ball Bearing C-02-BB-1510-B x 2



M3x12 Flathead C-02-SC-F0312 x 2

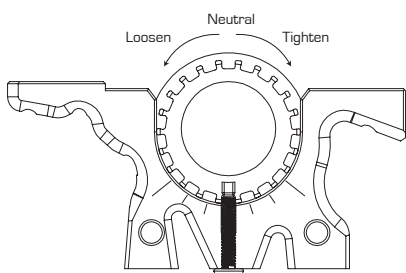
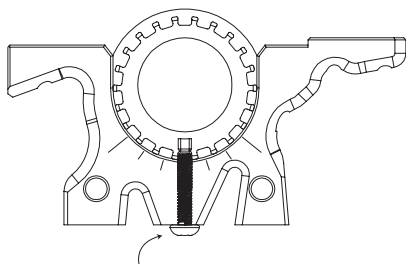
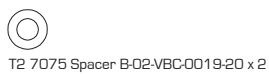
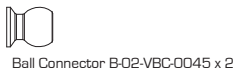
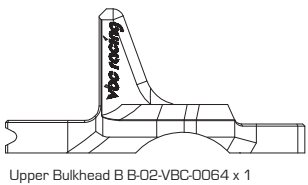
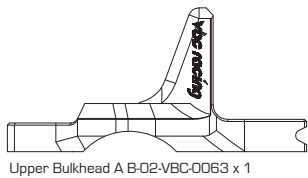


M3x6 Roundhead C-02-SC-R0306 x 3

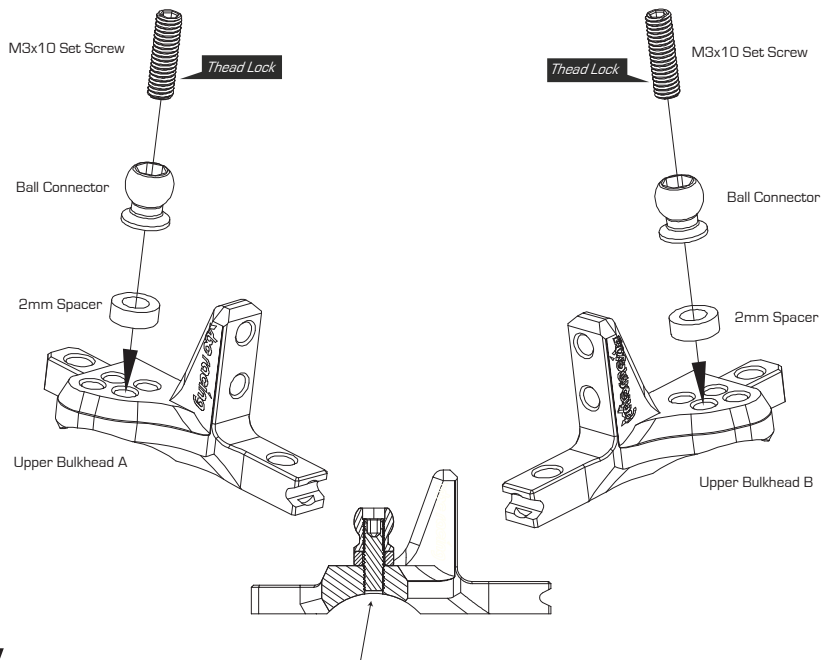


16

Assemble Front Upper Bulkhead



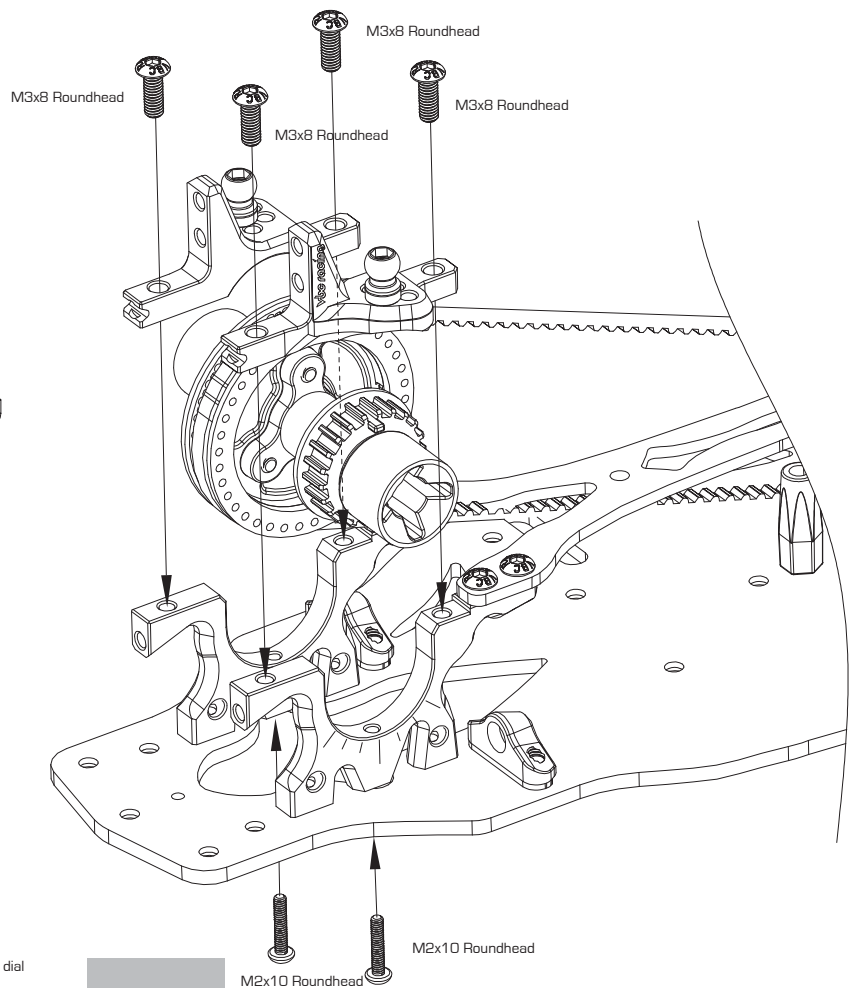
Tighten or loosen the belt tension by adjusting the Belt Tension Adjuster Ring dial



Be careful not to overthread the set screw. The set screw should not over the edge of the bottom of Upper Bulkhead. Overthreading may obstruct the drive hub from spinning.

17

Install Front Drivetrain

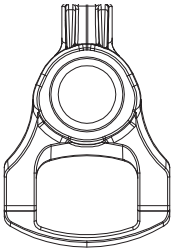


12

19

Rear Suspension Arm Assembly Part 2

Align the Shaft End Shoe to the Inner Axle Pin hole first and slide the 12mm Shaft Pin to the pin hole before securing the pin with M3x2 Set Screw



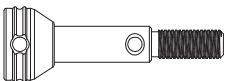
Rear Suspension Upright A-03-VBC-0037 x 2



Shaft End Shoe A-03-VBC-0038 x 2



Inner Axle B-02-VBC-0024 x 2



Wheel Axle B-02-VBC-0025 x 2



Axle Joint B-02-VBC-0026 x 2



Axle Lock Spring B-02-VBC-0027 x 2



5x10mm Ball Bearings x 4



M2x12 Shaft Pin B-02-VBC-0020-12 x 2



M2x10 Shaft Pin B-02-VBC-0020 x 4



M3x10 Set Screw C-02-SC-SS-0310 x 2



M3x2 Set Screw C-02-SC-SS-0302 x 2



M1.6x4 Screw C-02-SCR1.6x4 x 4



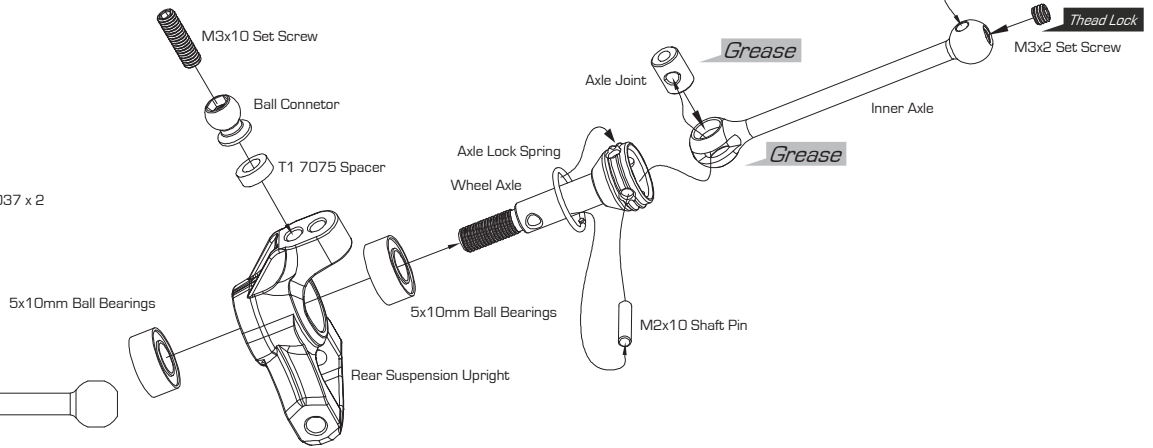
Offset Hex Wheel Hub B-02-VBC-0051 x 2



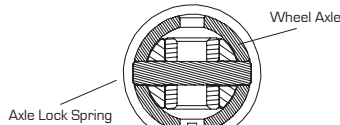
Ball Connector B-02-VBC-0045 x 2



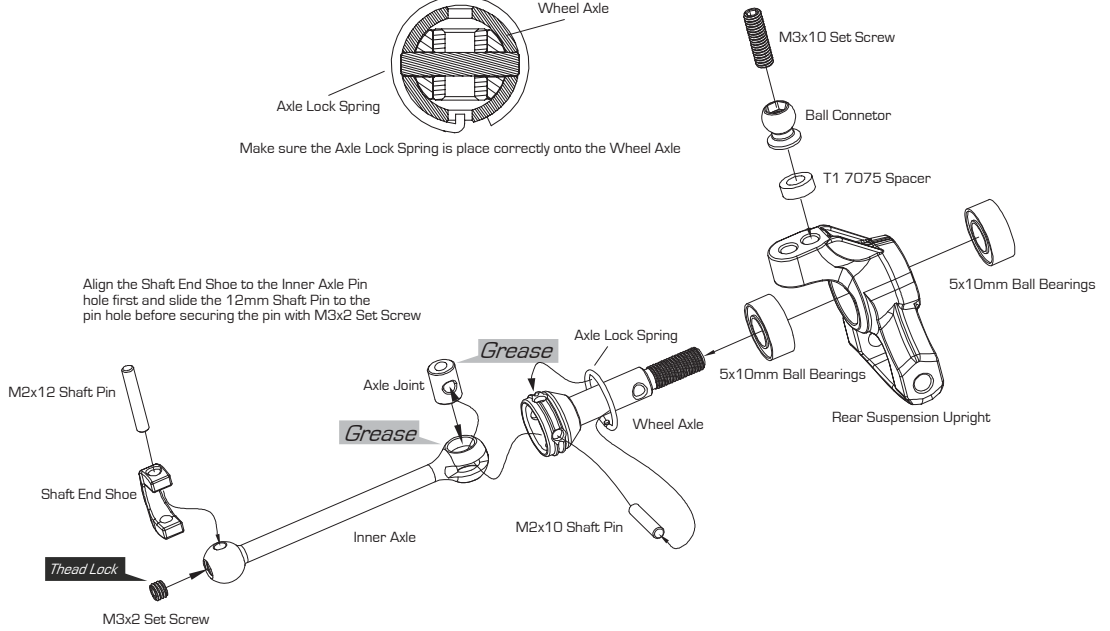
T1 7075 Spacer B-02-VBC-0019-10 x 2



Joint cross section

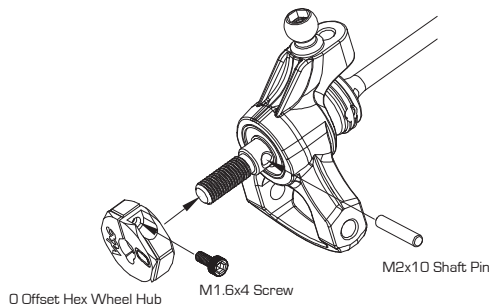


Make sure the Axle Lock Spring is place correctly onto the Wheel Axle



Align the Shaft End Shoe to the Inner Axle Pin hole first and slide the 12mm Shaft Pin to the pin hole before securing the pin with M3x2 Set Screw

After assembling the drive shaft, make sure the joints are free swinging.



Do not over tighten the M1.6x4 screw to prevent stripping

20

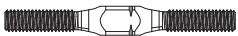
Rear Suspension Arm Assembly Part 3



Turnbuckle Cup A-03-VBC-0039 x 2



Turnbuckle Cup S A-03-VBC-0056 x 2



M3x32mm Turnbuckle B-02-VBC-0036 x 2



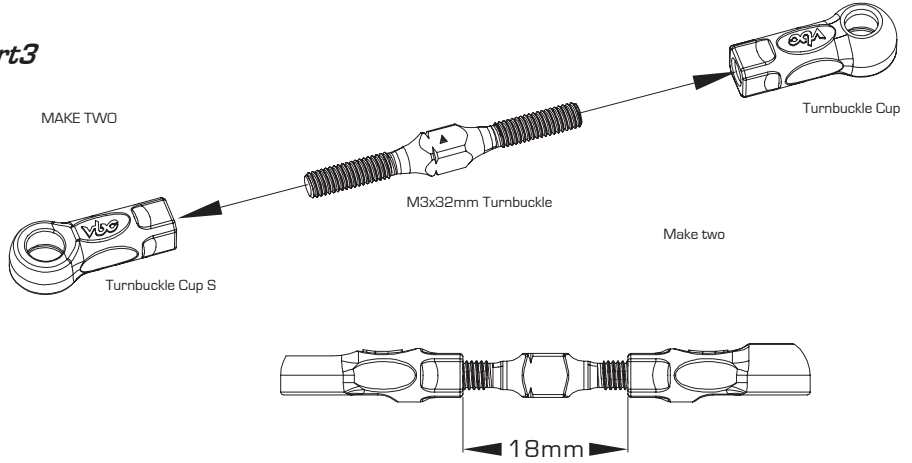
M3x23 Upright Pin B-02-VBC-0032 x 2



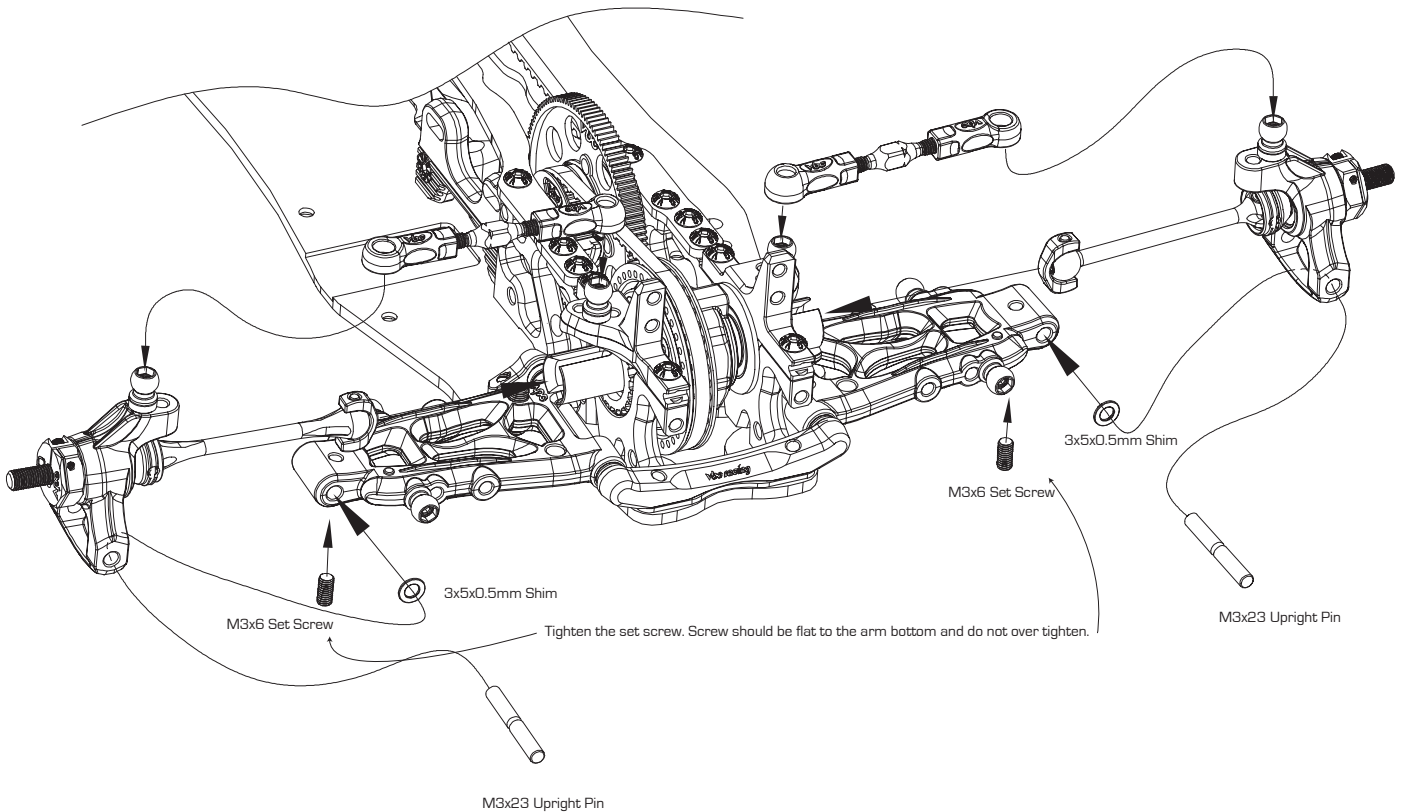
3x5x0.5mm Shim B-02-VBC-0093 x 2



M3x6 Set Screw C-02-SC-SS-0306 x 2

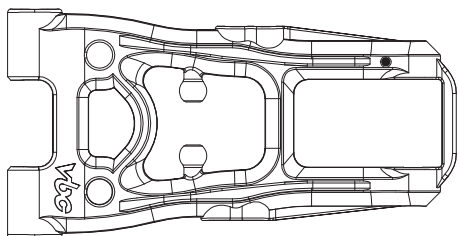


Make sure the turnbuckle caps move freely after snapped to the ball connector

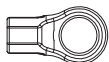
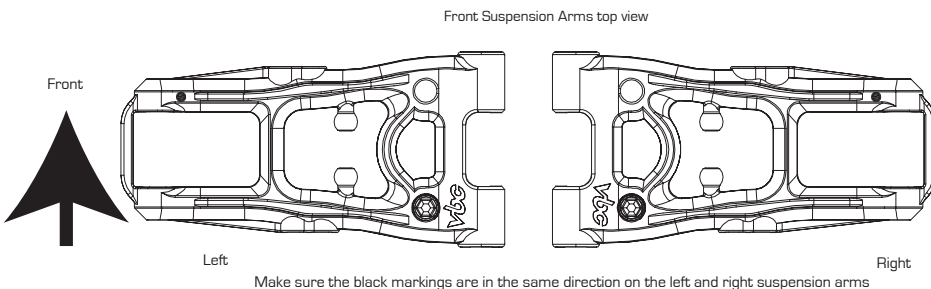


21

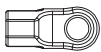
Front Suspension Assembly Part 1



Front Suspension Arm A-03-VBC-0024 x 2



Turnbuckle Cup Open Type L A-03-VBC-0041 x 2



Turnbuckle Cup Open Type S A-03-VBC-0040 x 2



Suspension Arm Spacer T2 A-03-VBC-0052 x 2



Suspension Arm Spacer T1 A-03-VBC-0051 x 4



Suspension Arm Pin B-02-VBC-0029 x 2



Ball Connector B-02-VBC-0045 x 4



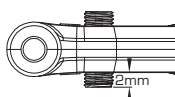
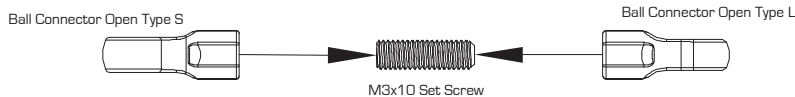
Arm Pin Pivot Ball B-02-VBC-0035 x 4



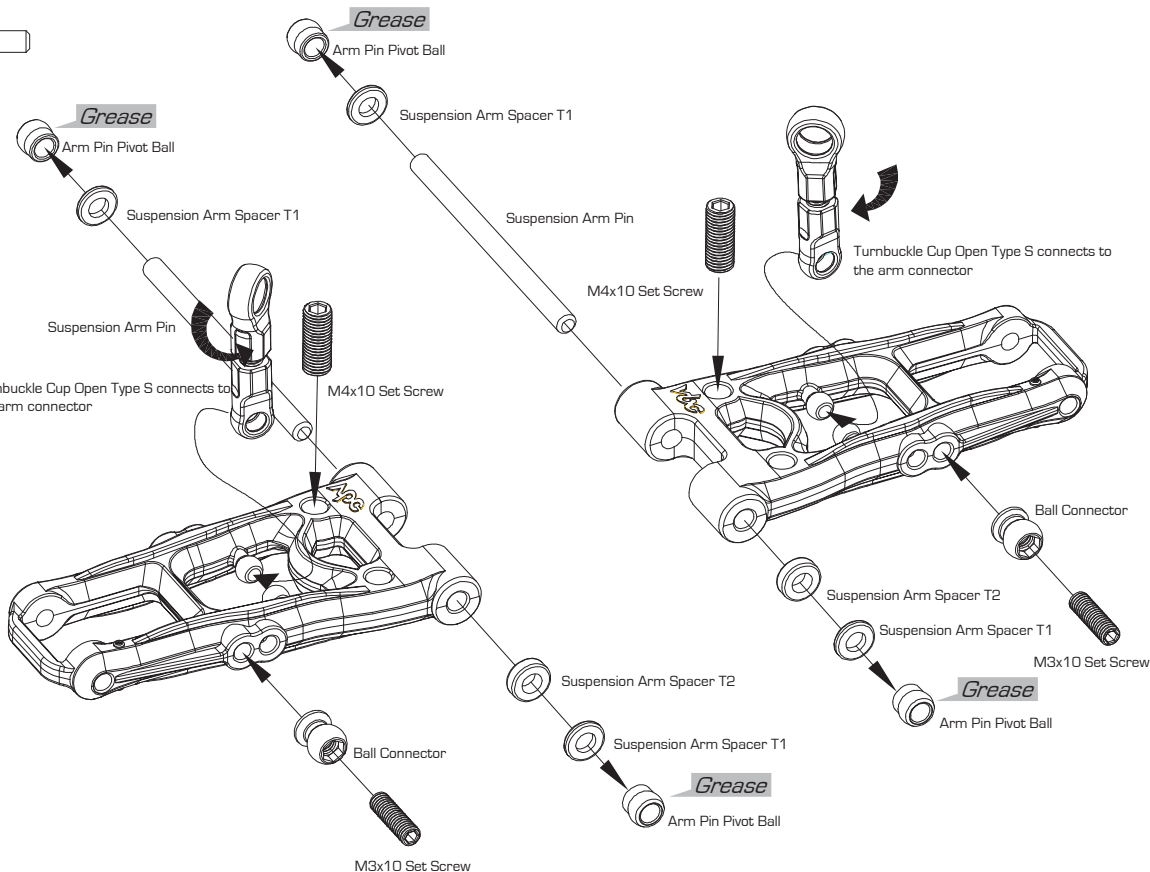
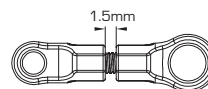
M4x10 Set Screw C-02-SS-0410 x 2



M3x10 Set Screw C-02-SS-0310 x 4



Insert M4x10 Set Screw from the top of the suspension arm for adjusting down stop. Initial setting is 2mm measuring from the bottom part of the arm for both sides.



22

Front Suspension Assembly Part 2



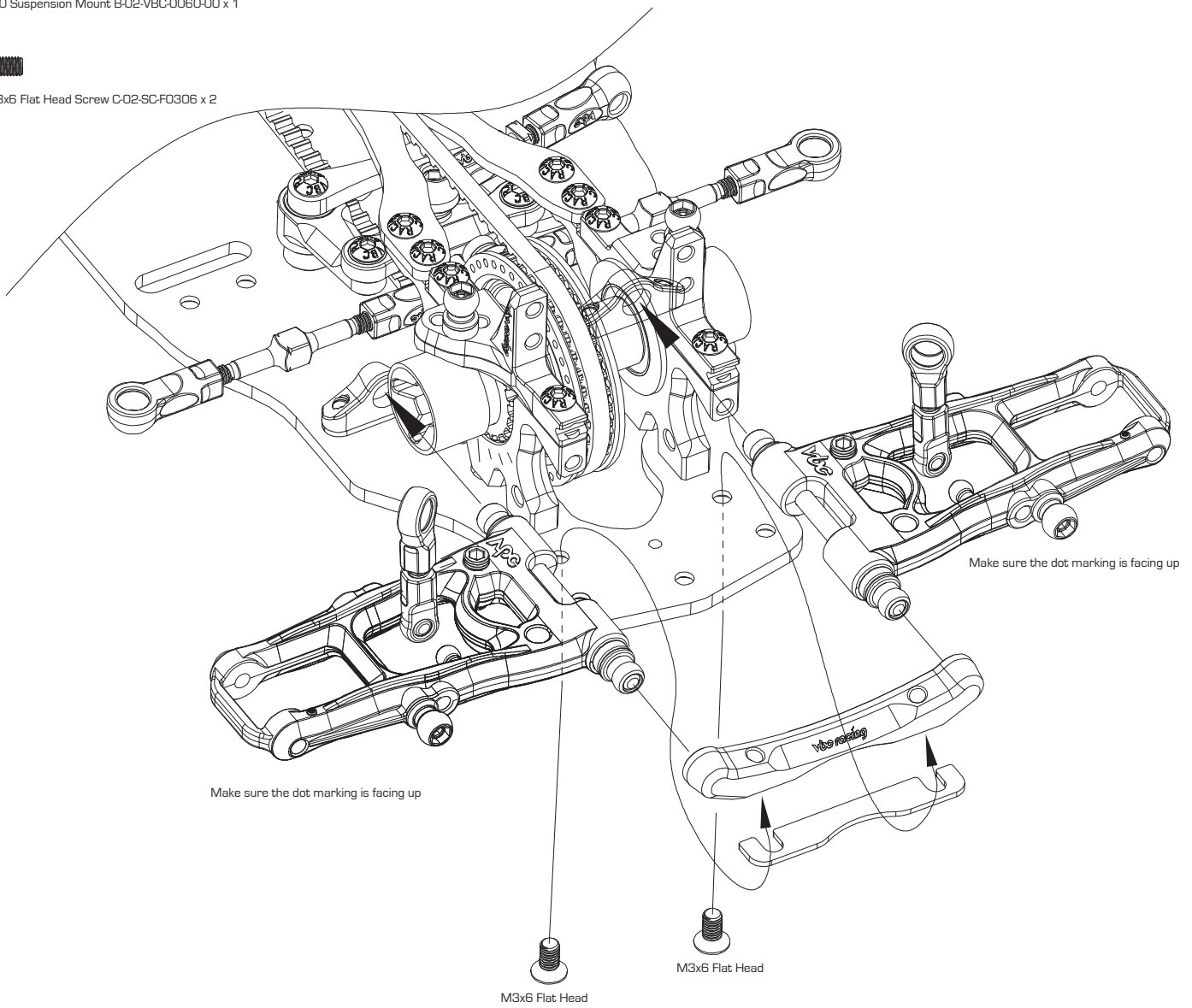
1mm Suspension Shim A-01-VBC-0037 x 1



FOO Suspension Mount B-02-VBC-0060-00 x 1

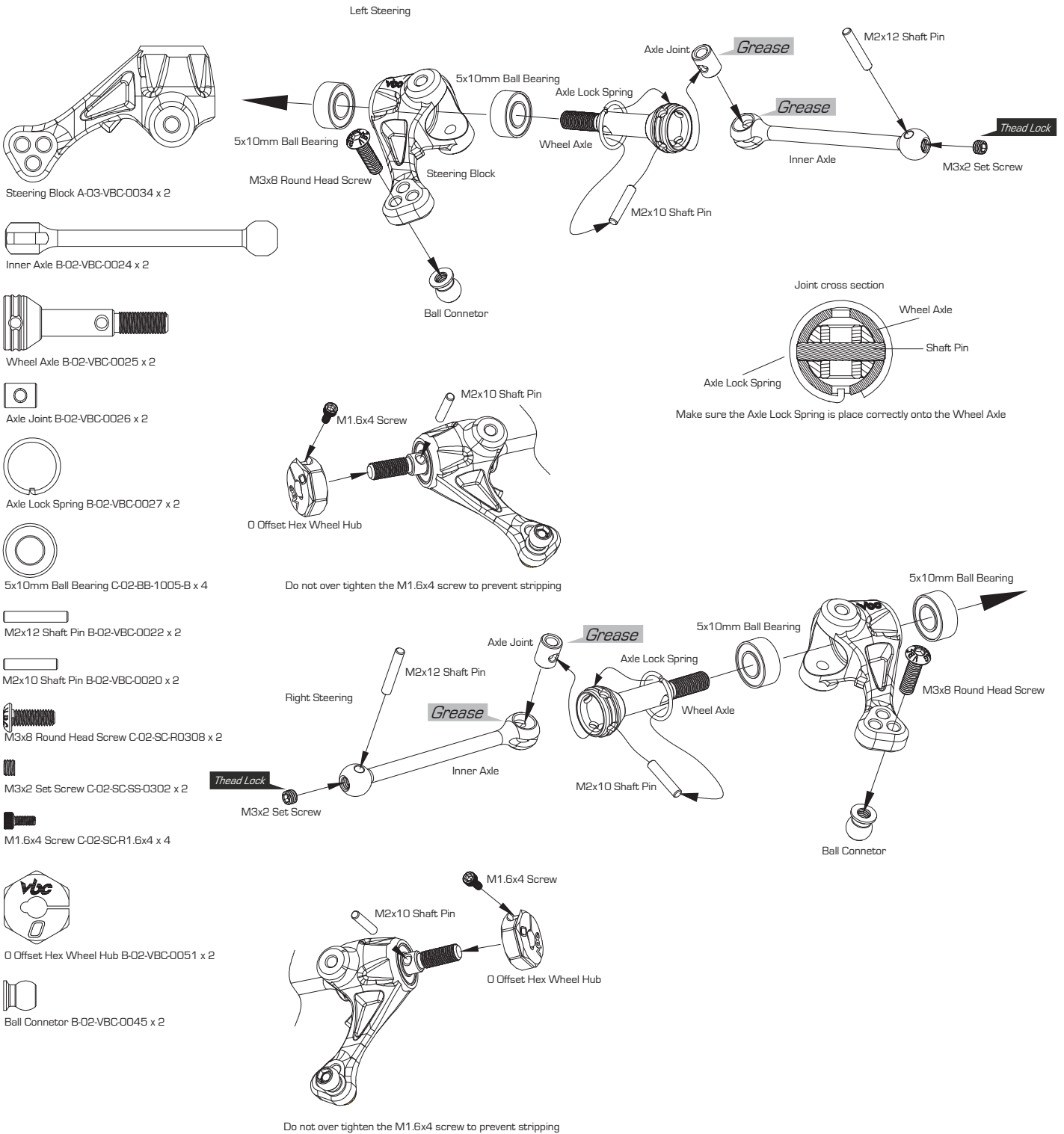


M3x6 Flat Head Screw C-02-SC-F0306 x 2



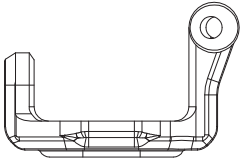
23

Front Suspension Assembly Part3

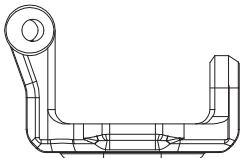


24

Front Suspension Assembly Part 4



Right C-Hub A-03-VBC-0031 x 1



Left C-Hub A-03-VBC-0030 x 1



Turnbuckle Cup A-03-VBC-0039 x 2



Turnbuckle Cup S A-03-VBC-0056 x 2



Ball Connector B-02-VBC-0045 x 2



M3x32mm Turnbuckle B-02-VBC-0036 x 2



3x23 Upright Pin B-02-VBC-0032 x 2



Steering Swivel Tube B-02-VBC-0033 x 4



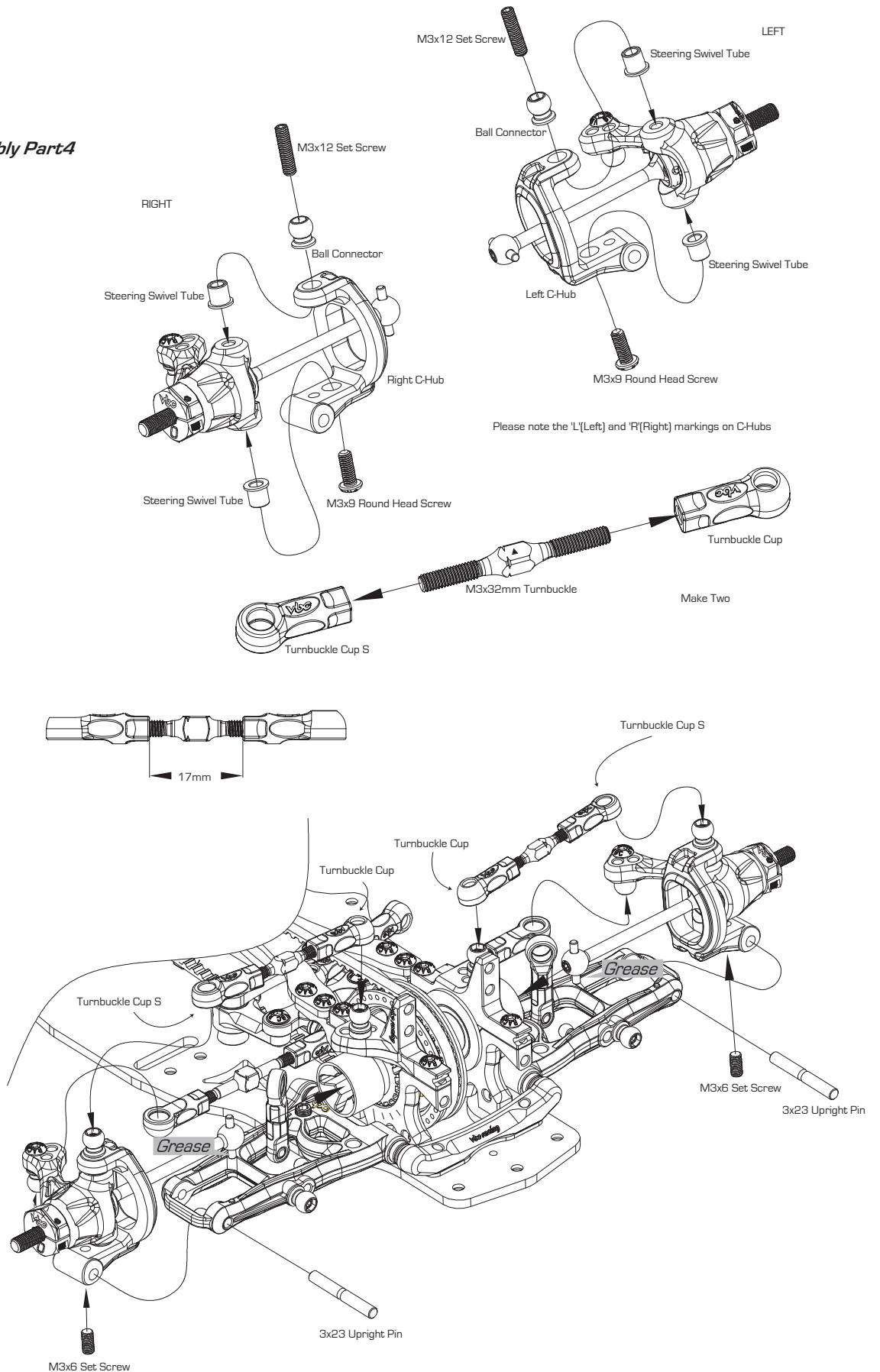
M3x12 Set Screw C-02-SS-SS-0312 x 2



M3x6 Set Screw C-02-SS-SS-0306 x 2

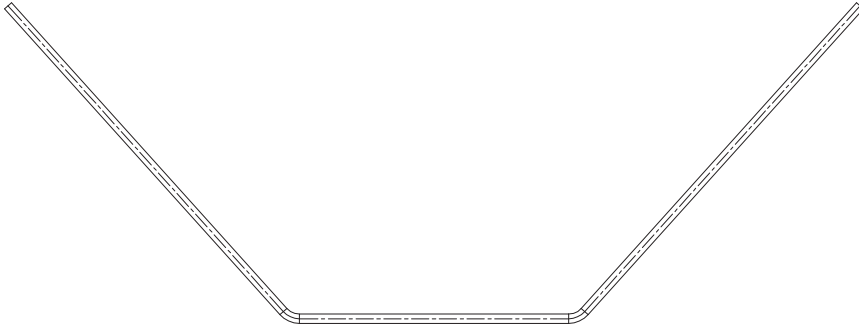


M3x9 Round Head Screw C-02-SC-R0308 x 1

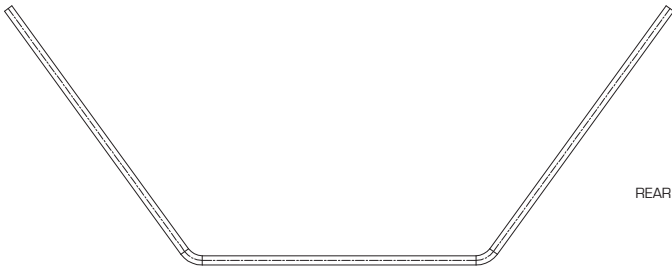


25

Front and Rear Stabilizers



Rear Stabilizer 1.3 B-02-VBC-0075-13 x 1



Front Stabilizer 1.3 B-02-VBC-0074-13 x 1



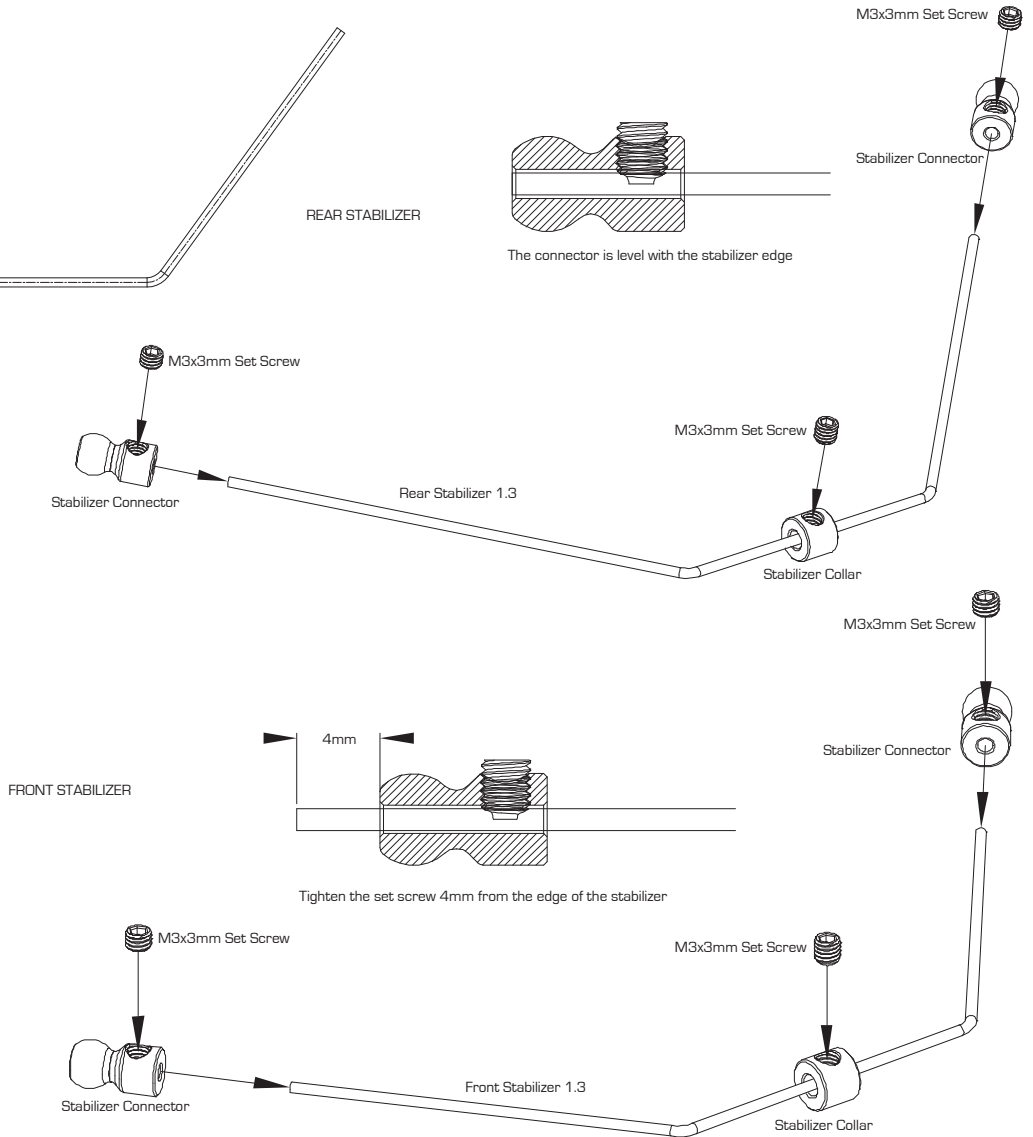
Stabilizer Connector B-02-VBC-0047 x 4



M3x3mm Set Screw C-02-SC-SS-0303 x 6

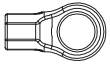


Stabilizer Collar B-02-VBC-0070 x 2

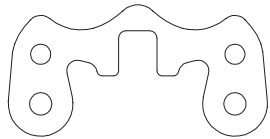


26

Install Front and Rear Stabilizers



Turnbuckle Cup Open Type L A-03-VBC-0041 x 4



Graphite Stabilizer Mount B-02-VBC-0071 x 2



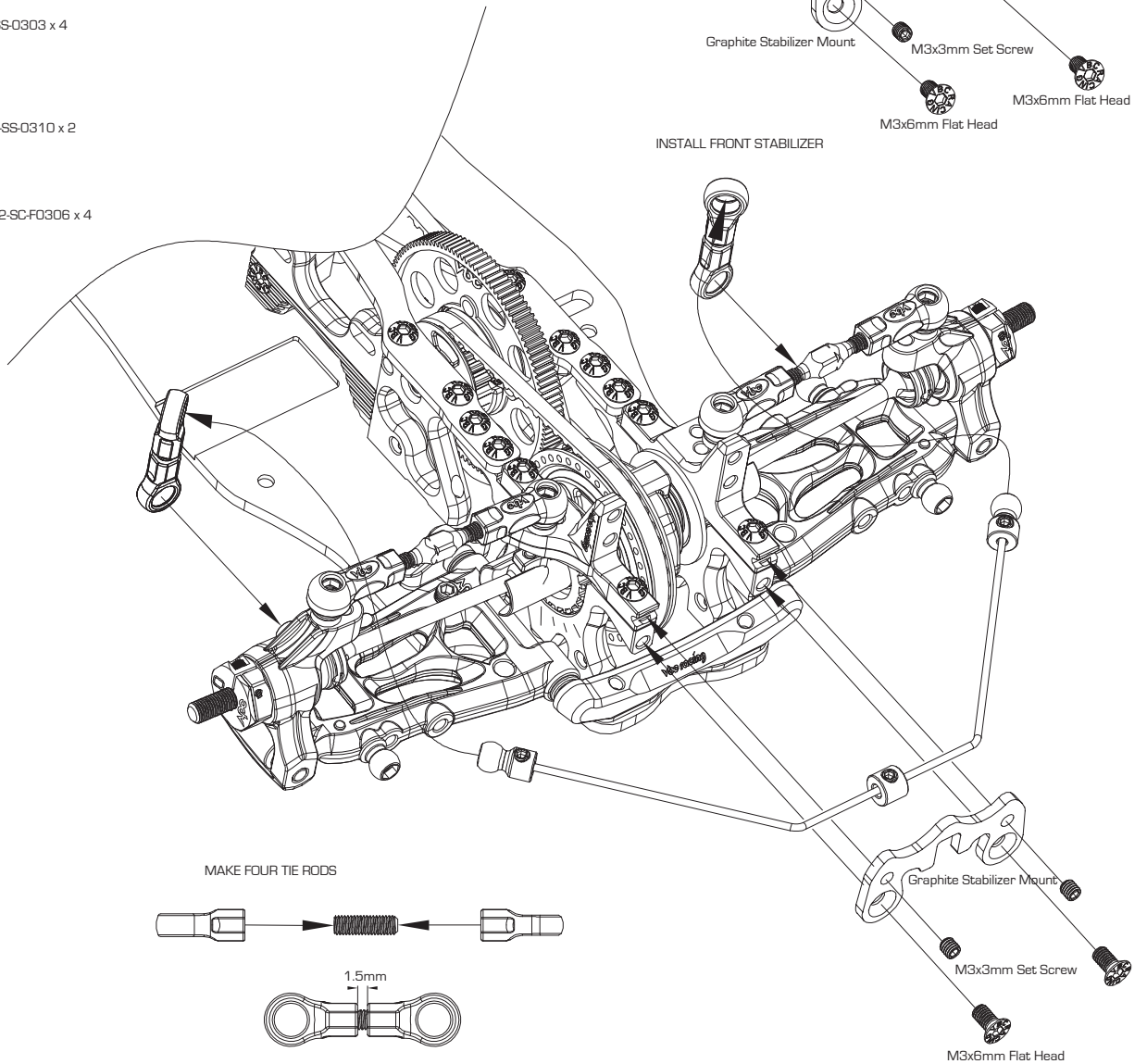
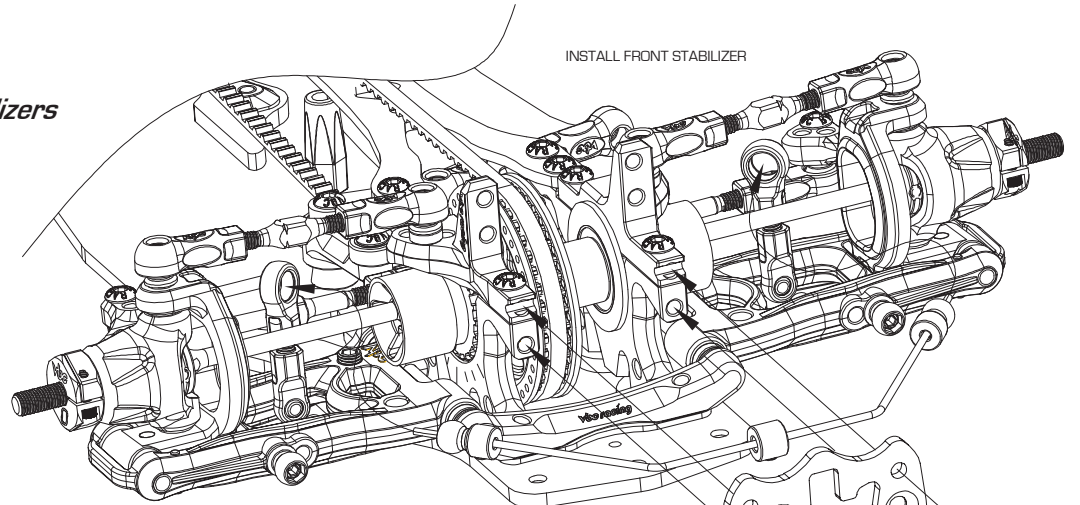
M3x3mm Set Screw C-02-SC-SS-0303 x 4



M3x10mm Set Screw C-02-SC-SS-0310 x 2



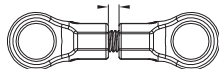
M3x6mm Flat Head Screw C-02-SC-F0306 x 4



MAKE FOUR TIE RODS



1.5mm

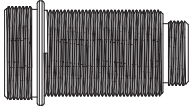


Note the double ring face to ball connector

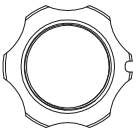
27

Assemble Oil Shocks

MAKE 4 SHOCKS



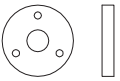
Shock Body B-02-VBC-0039 x 4



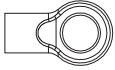
Shock Height Adjuster B-02-VBC-0042 x 4



Shock Bottom Cap B-02-VBC-0041 x 4



Shock Piston (3 holes) A-03-VBC-0045 x 4



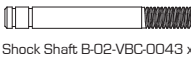
Shock Bottom Connector A-03-VBC-0066 x 4



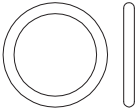
Shaft Cap A-03-VBC-0046 x 4



Shaft Guide A-03-VBC-0058 x 4



Shock Shaft B-02-VBC-0043 x 4



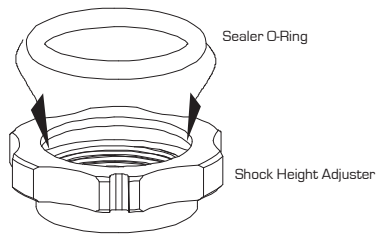
Sealer O-Ring B-03-VBC-0002 x 4



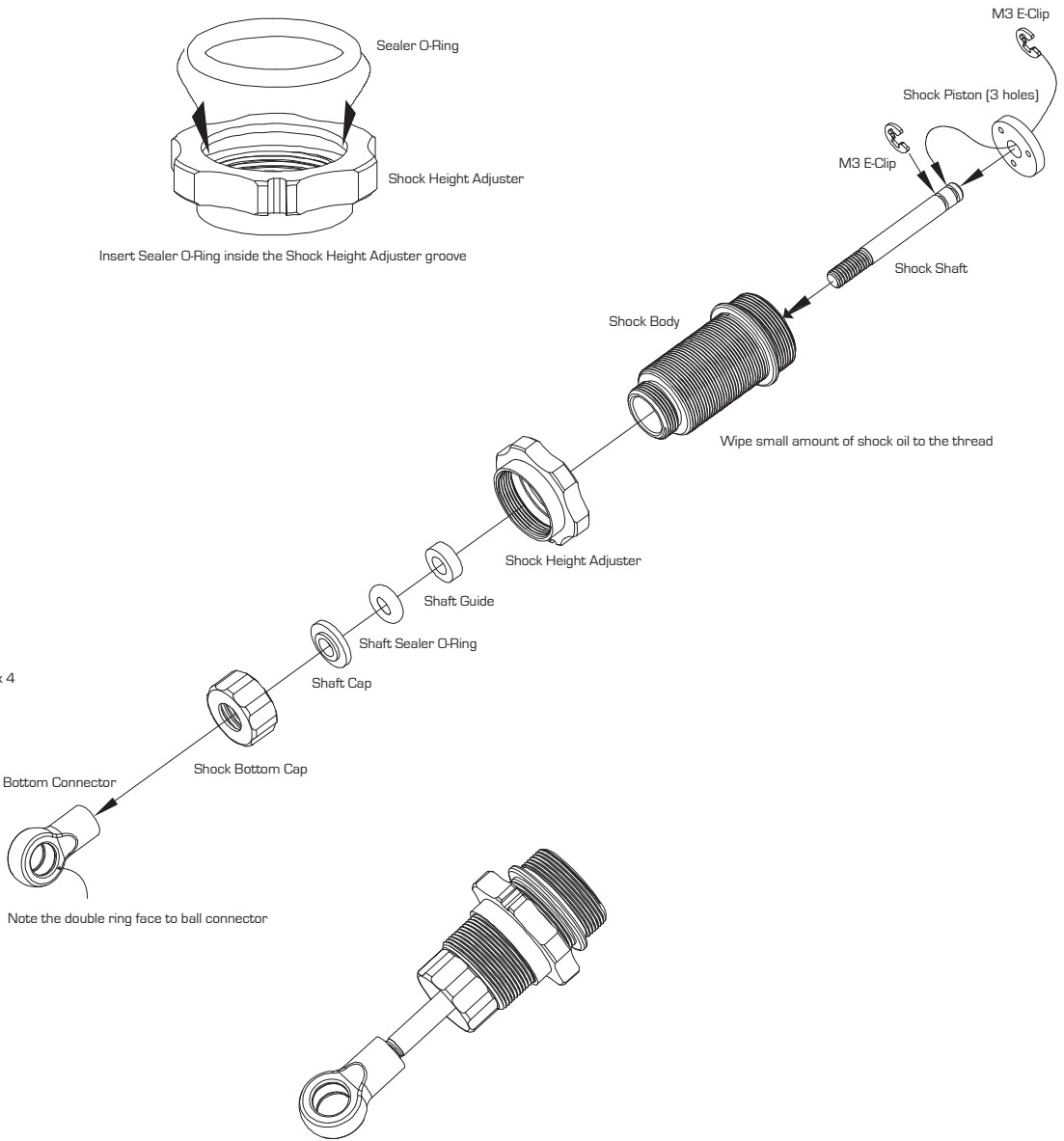
Shaft Sealer O-Ring B-03-VBC-0012 x 4



M3 E-Clip B-02-VBC-0044 x 8



Insert Sealer O-Ring inside the Shock Height Adjuster groove



Note the double ring face to ball connector

Make sure the shock shaft can move up and down freely

28

Assemble Oil Shocks Part 2



Shock Top Connector A-03-VBC-0042 x 4



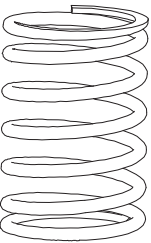
Spring Bottom Support A-03-VBC-0043 x 4



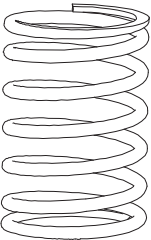
Oil Sealer Cap B-03-VBC-0011 x 4



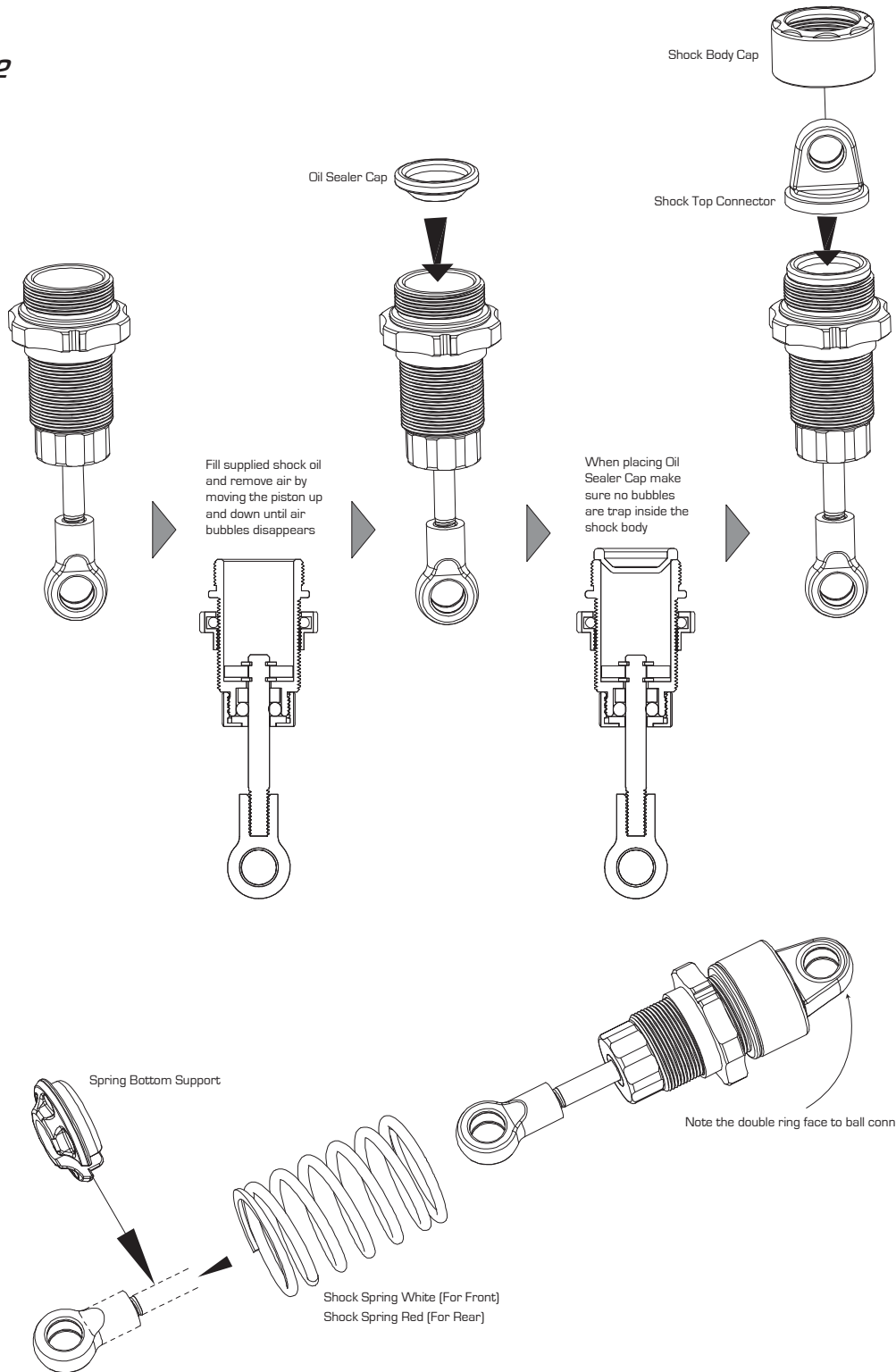
Shock Body Cap B-02-VBC-0040 x 4



Shock Spring White (For Front) x 2

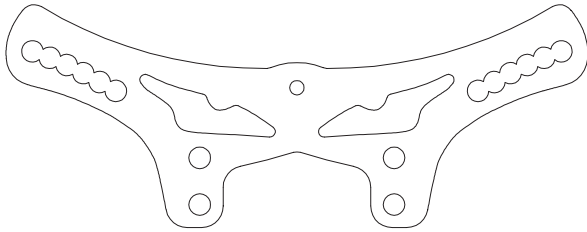


Shock Spring Red (For Rear) x 2



29

Install Front Shocks



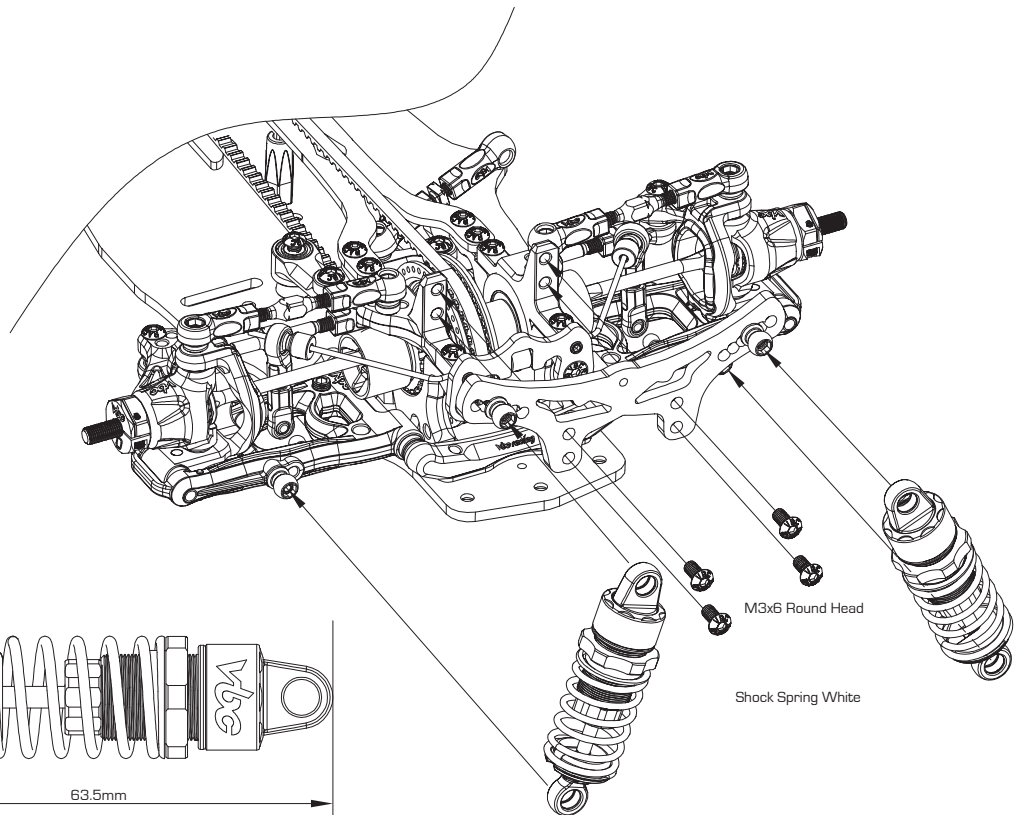
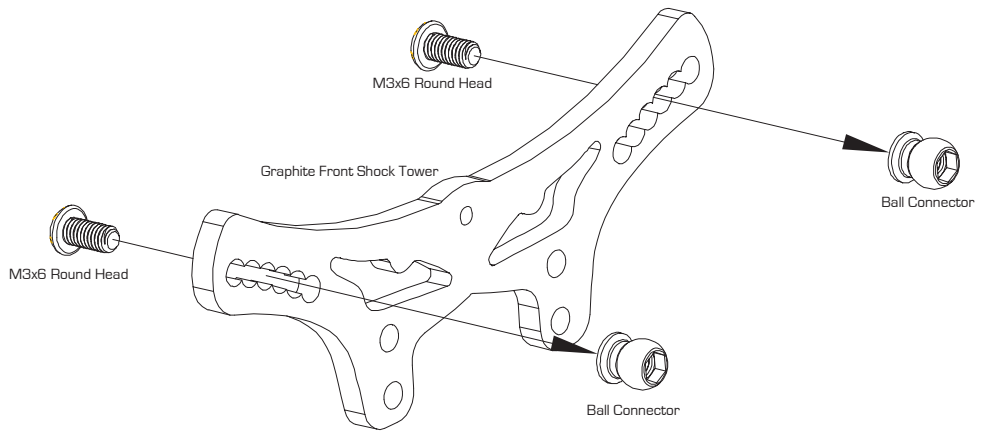
Graphite Front Shock Tower A-01-VBC-0027 x 1



Ball Connector B-02-VBC-0045 x 2



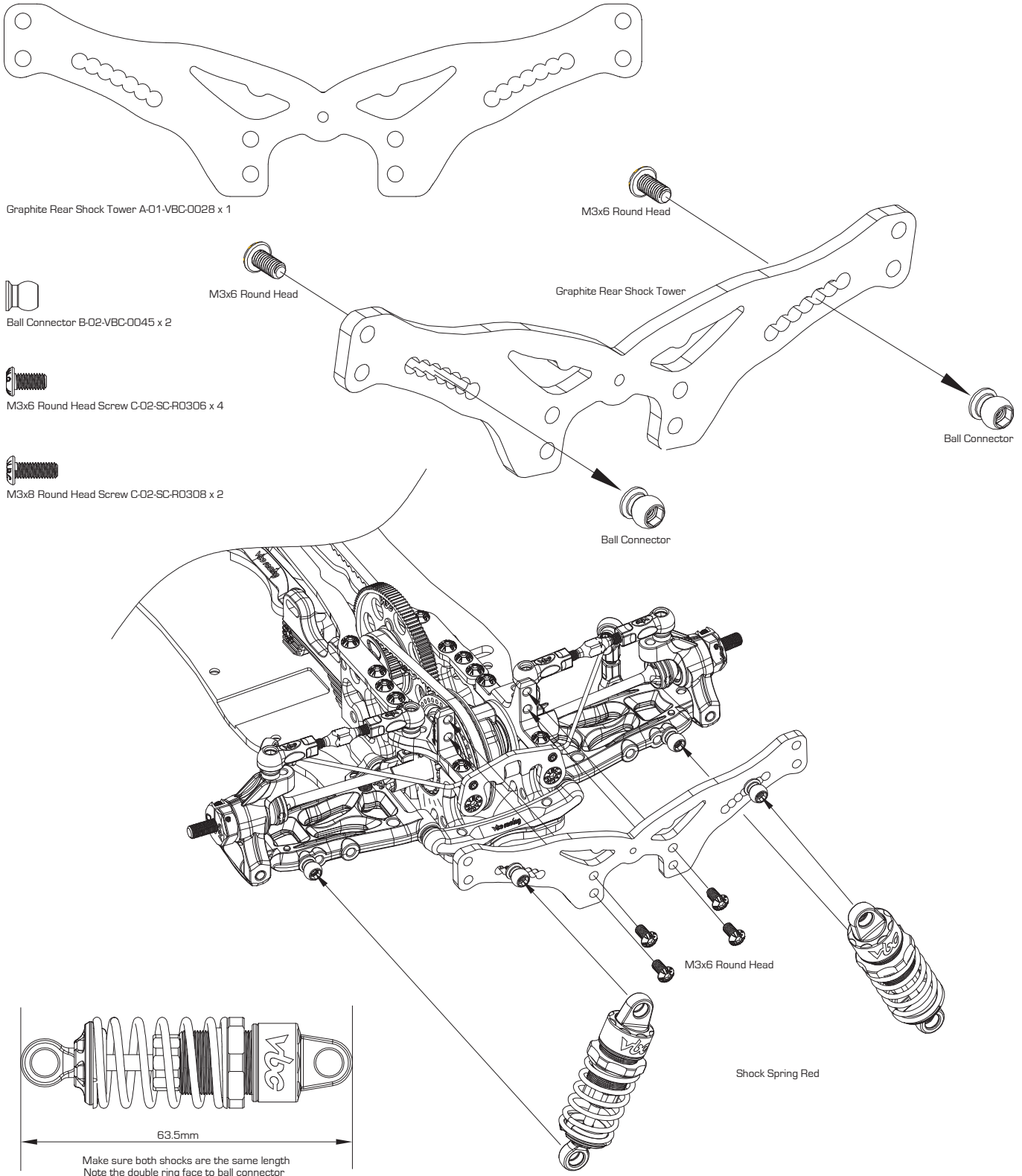
M3x6 Round Head Screw C-02-SC-SS-0306 x 6



Make sure both shocks are the same length
Note the double ring face to ball connector

30

Install Rear Shocks

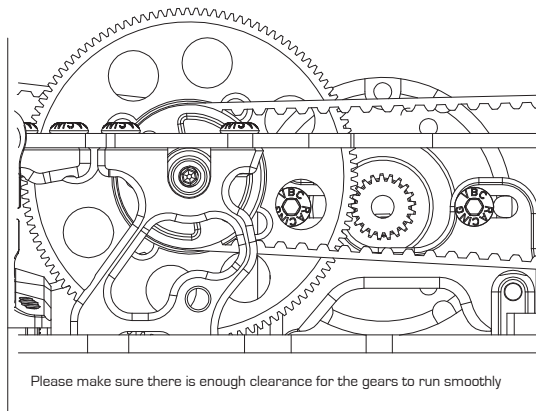
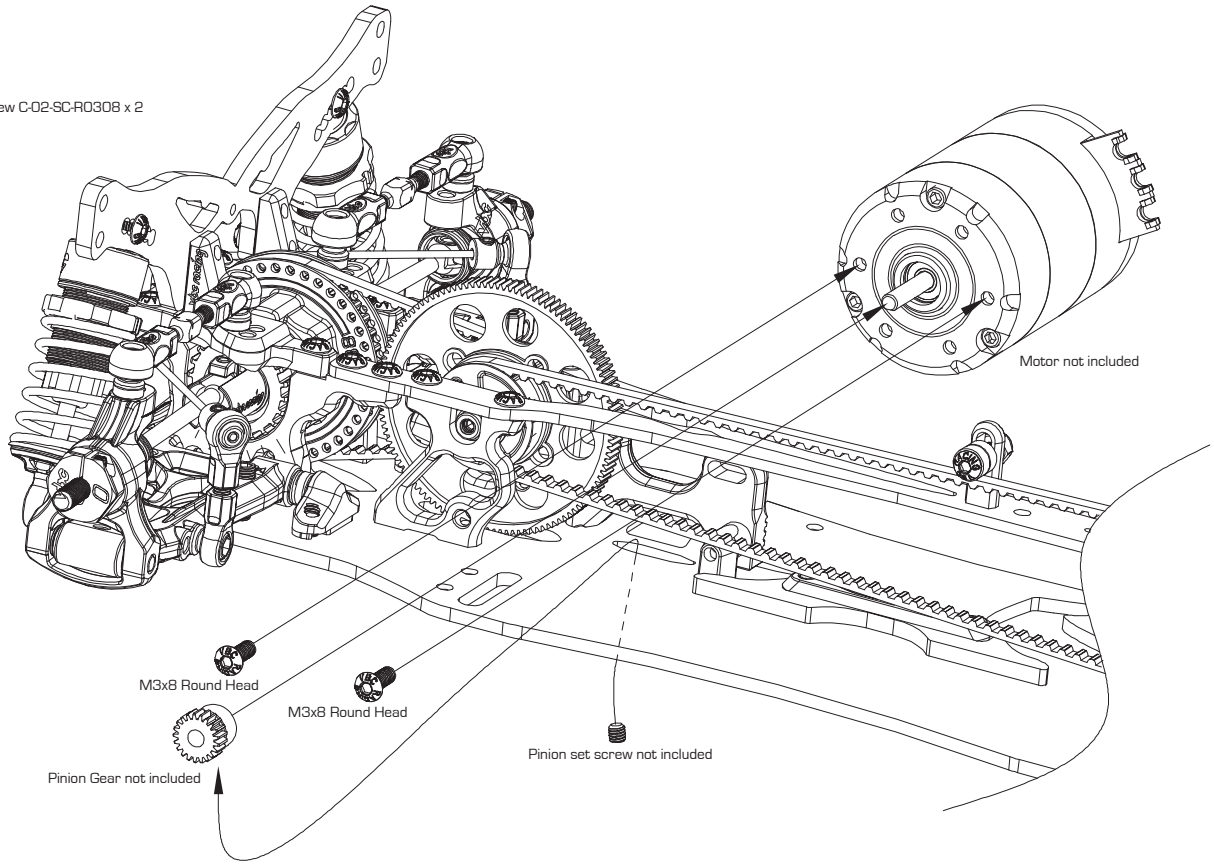


31

Install Motor



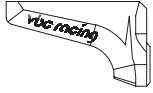
M3x8 Round Head Screw C-02-SC-R0308 x 2



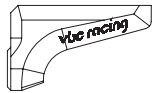
Please make sure there is enough clearance for the gears to run smoothly

32

Install Steering Servo



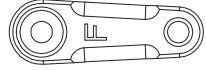
Servo Mount A B-02-VBC-0065 x 1



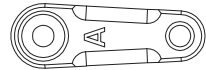
Servo Mount B B-02-VBC-0091 x 1



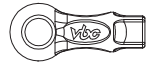
Servo Spacer 2mm A-03-VBC-0033 x 2
Optional Servo Spacer 1mm A-03-VBC-0032 x 2 included



Servo Horn Type F A-03-VBC-0053 x 1



Servo Horn Type A A-03-VBC-0054 x 1



Turnbuckle Cup A-03-VBC-0039 x 6



Ball Connector B-02-VBC-0045 x 1



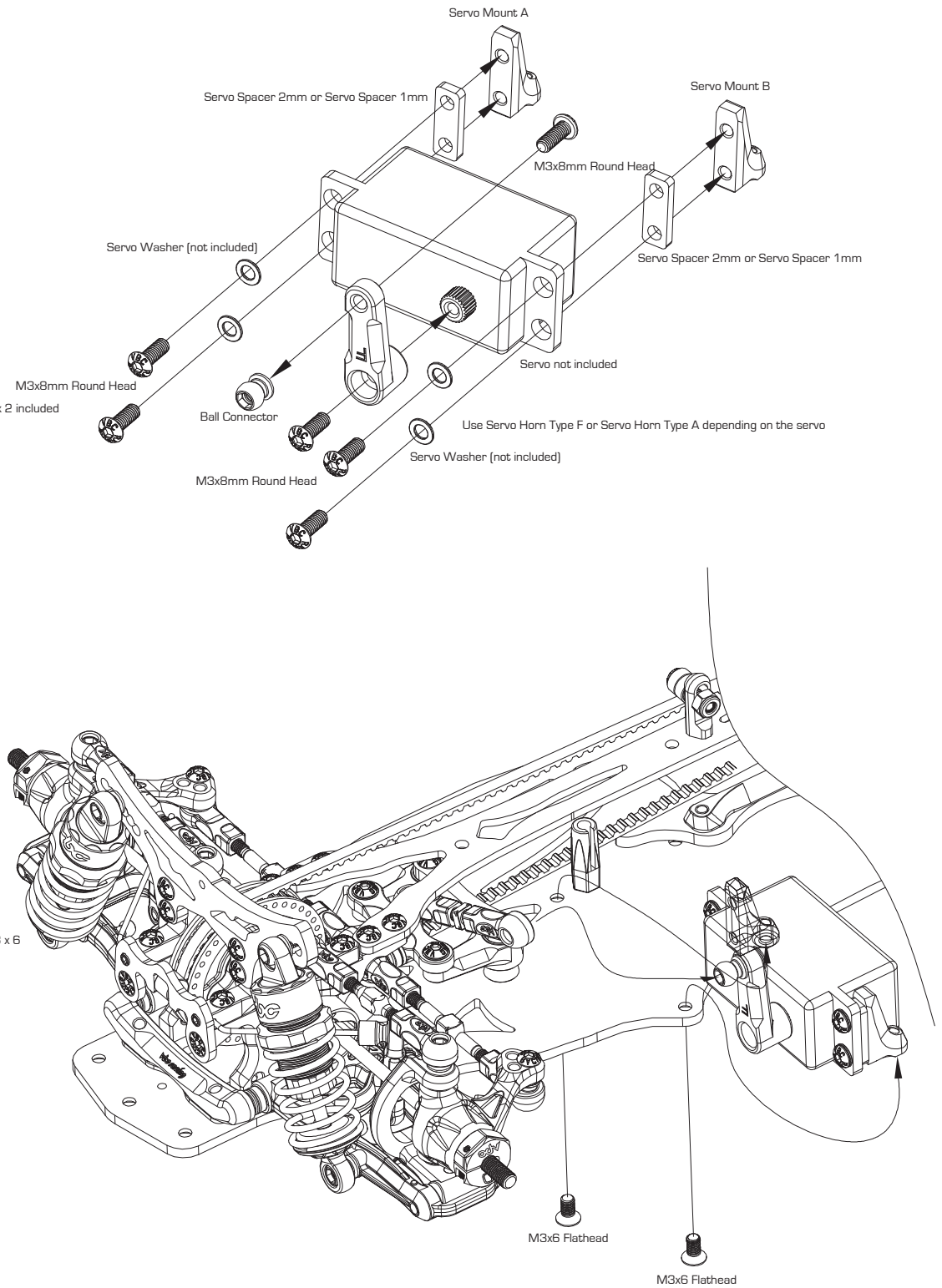
Servo Washer (not included) x 4



M3x8mm Round Head Screw C-02-SC-R0308 x 6



M3x6 Flathead C-02-SC-F0306 x 2



33

Install Front Bumper and Body Posts



5mm Flanged Wheel Nut B-02-VBC-0086 x 4



M3x10mm Flat Head Screw C-02-SC-F0310 x 1



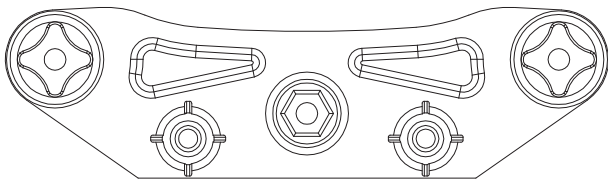
M3x8mm Flat Head Screw C-02-SC-F0308 x 4



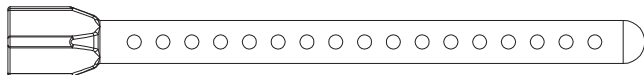
M3 Lock Nut C-02-SC-NN03 x 1

5mm Flanged Wheel Nut

WHEELS AND TIRES NOT INCLUDED



Front Bumper Bottom Support A-03-VBC-0011 x 1



Front Body Post A-03-VBC-0013 x 2

Front Body Post

Front Body Post

M3 Lock Nut

Front Bumper Bottom Support

M3x10mm Flat Head

M3x10mm Flat Head

M3x8mm Flat Head

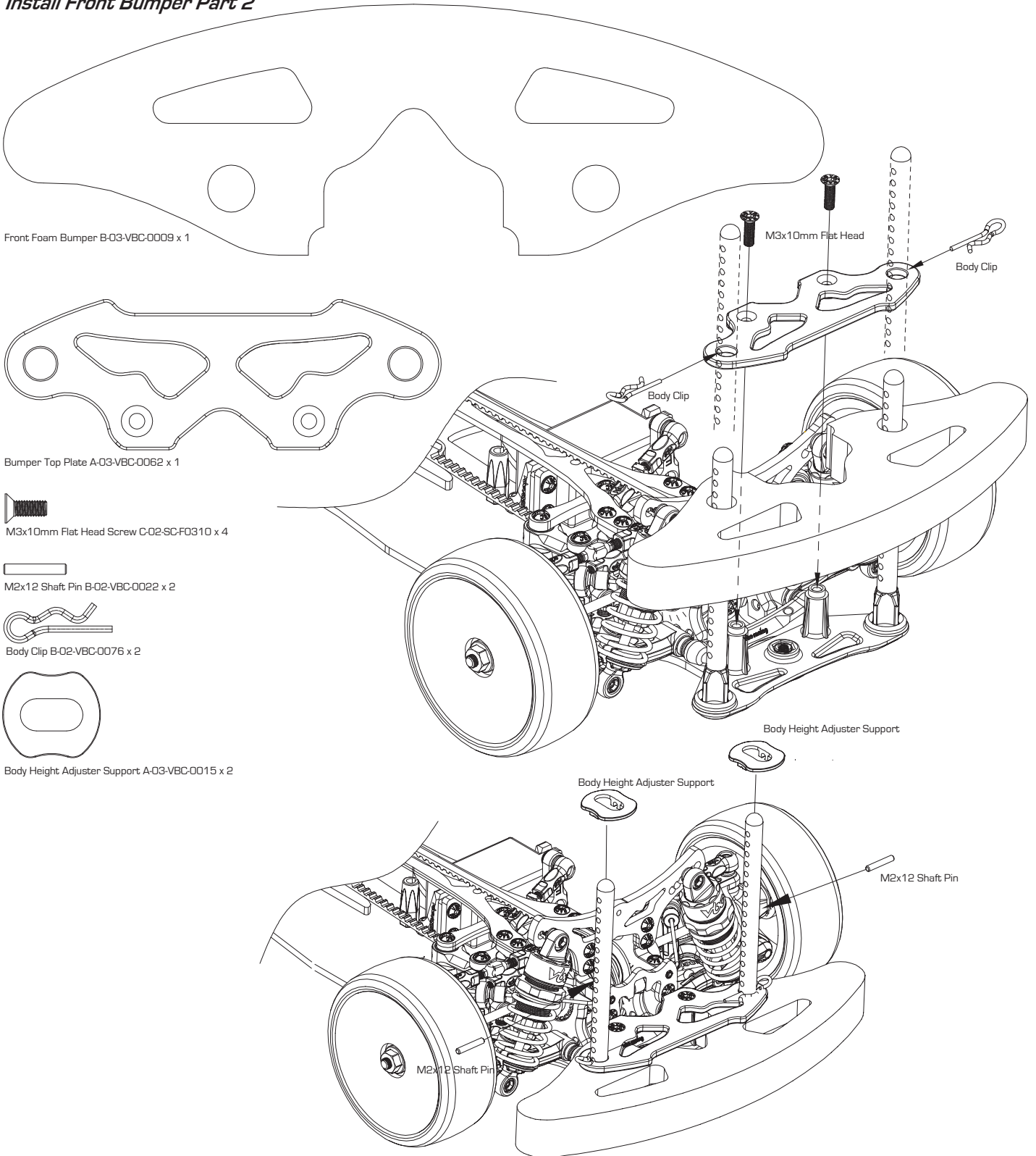
5mm Flanged Wheel Nut

5mm Flanged Wheel Nut

WHEELS AND TIRES NOT INCLUDED

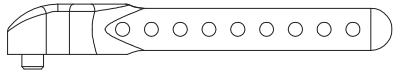
34

Install Front Bumper Part 2



35

Install Rear Body Posts and Electronics



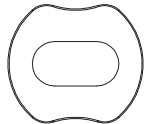
Rear Body Post A-03-VBC-0014 x 2



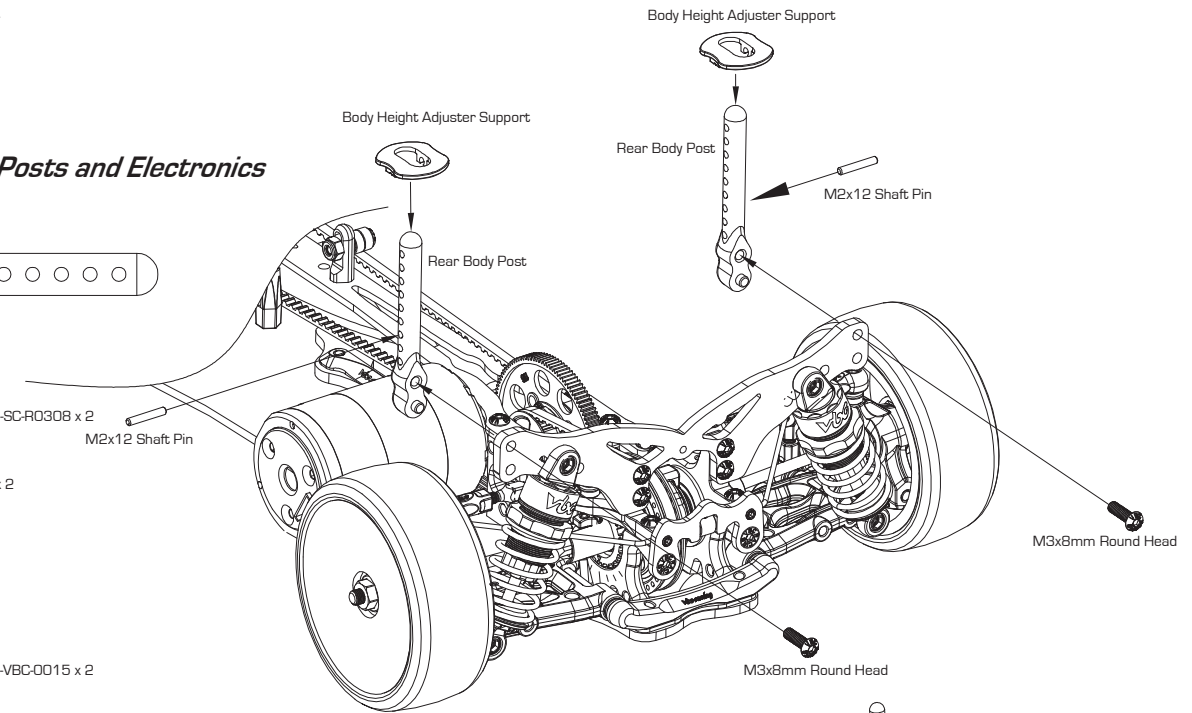
M3x8mm Round Head Screw C-02-SC-R0308 x 2



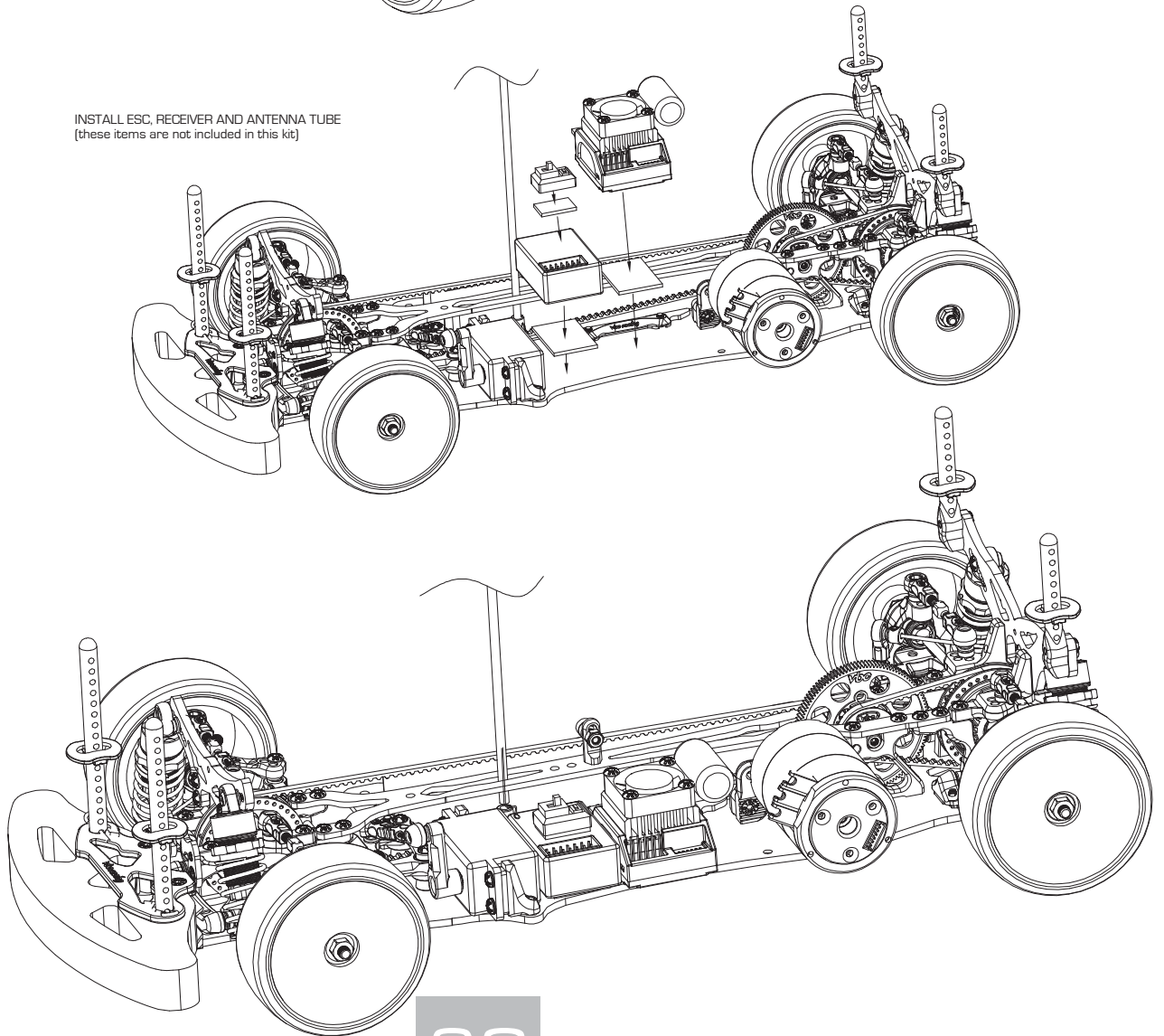
M2x12 Shaft Pin B-02-VBC-0022 x 2



Body Height Adjuster Support A-03-VBC-0015 x 2

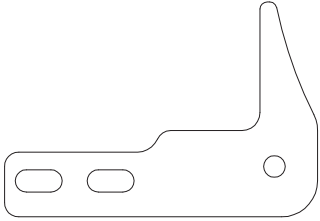


INSTALL ESC, RECEIVER AND ANTENNA TUBE
(these items are not included in this kit)

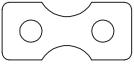


35

Continue
Install Battery Guards



Graphite Adjustable Battery Guard A-01-VBC-0031 x 2



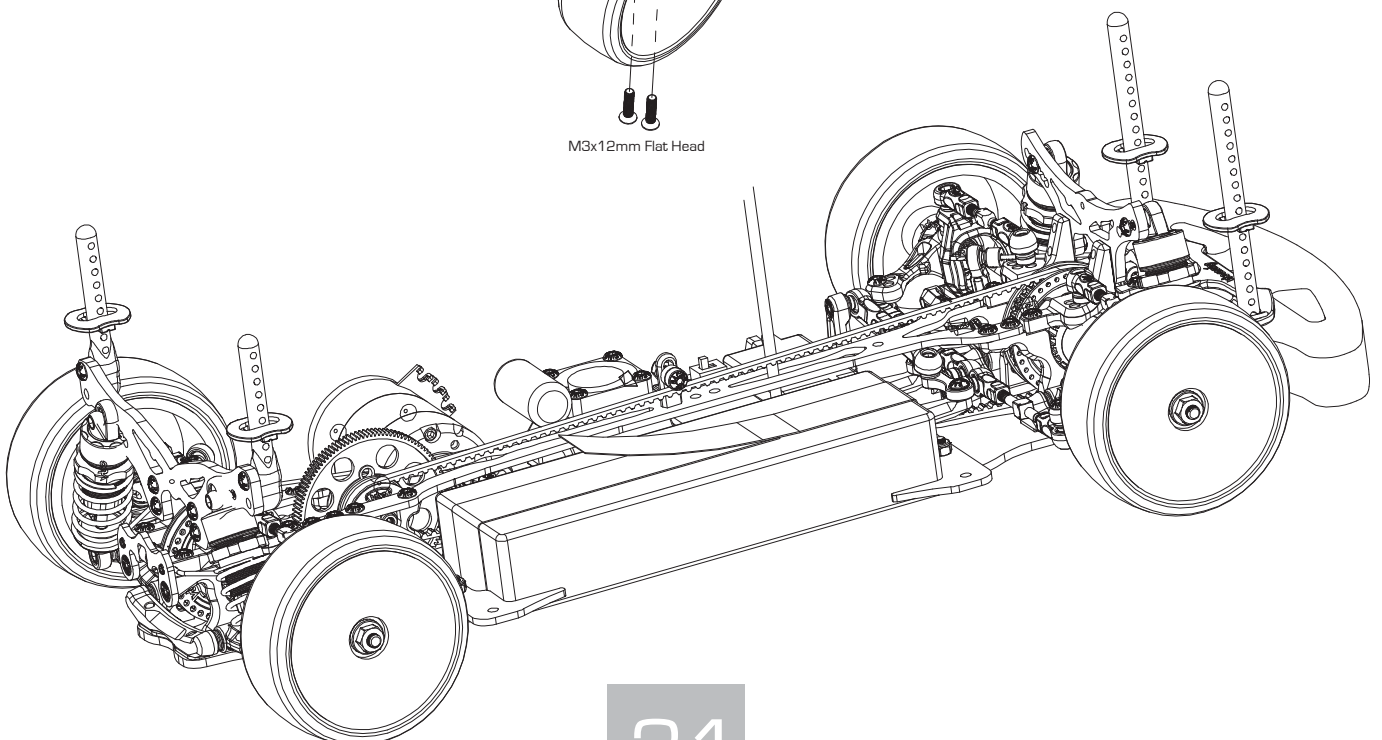
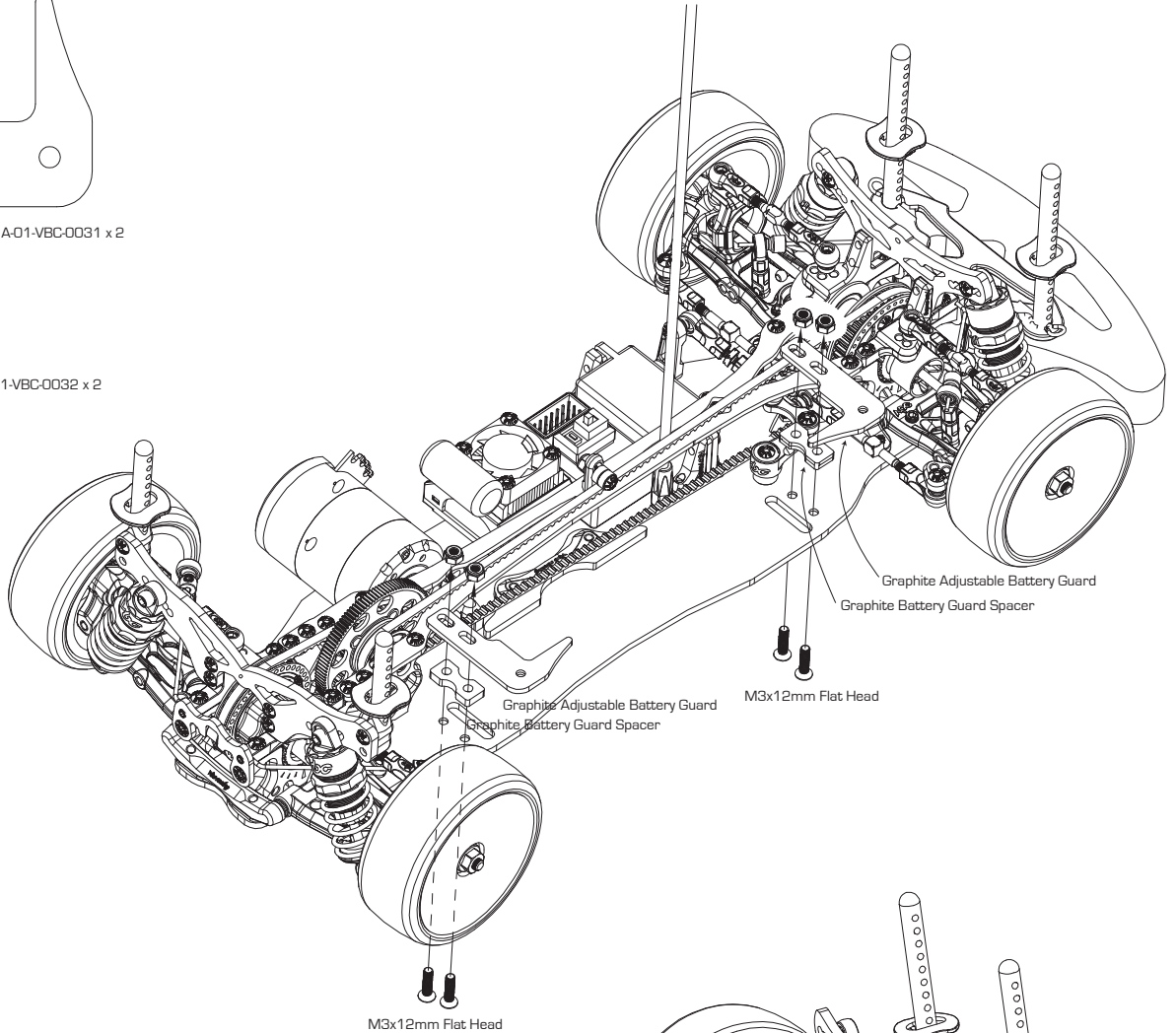
Graphite Battery Guard Spacer A-01-VBC-0032 x 2



M3x12mm Flat Head Screw x 4
C-02-SC-FD312



M3 Lock Nut C-02-SC-NN03 x 4



PARTS LIST



FOR ONLINE ORDERS, PLEASE VISIT OUR WEBSITE WWW.VBCRACING.COM OR VISIT YOUR NEAREST HOBBY STORE. PLEASE VISIT OUR WEBSITE FOR THE LATEST VBC WILDFIRE OPTION PARTS.

Order Number	Package Descriptions	Parts Number	Parts Descriptions	Order Number	Package Descriptions	Parts Number	Parts Descriptions		
D-05-VBC-0014	WildFire Gear Differential 38T	A-03-VBC-0016	Gear Diff Housing	D-05-VBC-0042	WildFire Drive Axle Set for Front/R	B-02-VBC-0024	Inner Axle		
		A-03-VBC-0017	Gear Diff Pulley 38T			B-02-VBC-0025	Wheel Axle		
		A-03-VBC-0018	Diff Gear 10T			B-02-VBC-0026	Axle Joint		
		A-03-VBC-0019	Diff Gear 18T			B-02-VBC-0027	Axle Lock Spring		
		A-03-VBC-0020	Diff Gear Shaft			B-02-VBC-0020	M2x10 Shaft Pin		
		B-03-VBC-0004	Seal Gasket			B-02-VBC-0020-12	M2x12 Shaft Pin		
		B-03-VBC-0006	Diff Shaft Sealer O-Ring			C-02-SC-SS-0302	M3x2 Set Screw		
		B-03-VBC-0005	Diff Housing Sealer O-Ring			C-02-BB-1005-B	5x10 Ball Bearing		
		C-02-SC-F2.6x10	M2.6x10 Flathead Screw			B-02-VBC-0024	Inner Axle		
		B-02-VBC-0022	Diff Cup			B-02-VBC-0026	Axle Joint		
B-02-VBC-0020	M2x10 Shaft Pin	B-02-VBC-0025	Wheel Axle						
B-02-VBC-0077	15x0.3mm Shim	B-02-VBC-0027	Axle Lock Spring						
B-02-VBC-0078	9.5x0.2mm Shim	B-02-VBC-0020	M2x10 Shaft Pin						
B-02-VBC-0020-12	M2x12 Shaft Pin	B-02-VBC-0020-12	M2x12 Shaft Pin						
D-05-VBC-0034	Differential Gear Set	A-03-VBC-0018	Diff Gear 10T	B-02-VBC-0051	0 Offset Hex Wheel Hub	B-02-VBC-0051	0 Offset Hex Wheel Hub		
A-03-VBC-0020	Diff Gear Shaft	A-03-VBC-0019	Diff Gear 18T	C-02-SC-R1.6x4	M1.6x4 Screw	C-02-SC-R1.6x4	M1.6x4 Screw		
B-02-VBC-0022	Diff Cup	B-02-VBC-0020	Diff Gear Shaft	B-02-VBC-0019-10	T1 7075 Spacer	B-02-VBC-0019-10	T1 7075 Spacer		
B-03-VBC-0005	Diff Housing Sealer O-Ring	B-02-VBC-0022	Diff Cup	B-02-VBC-0036	M3x32mm Turnbuckle	B-02-VBC-0036	M3x32mm Turnbuckle		
B-03-VBC-0004	Seal Gasket	B-03-VBC-0005	Diff Housing Sealer O-Ring	B-02-VBC-0032	M3x23 Upright Pin	B-02-VBC-0032	M3x23 Upright Pin		
D-05-VBC-0035	Gear Differentials Shims Set	B-03-VBC-0004	Seal Gasket	D-05-VBC-0044	Turnbuckle Cup Open Type Set	A-03-VBC-0040	Turnbuckle Cup Open Type S		
B-02-VBC-0020	M2x10 Shaft Pin	B-02-VBC-0077	15x0.3mm Shim	A-03-VBC-0041	Turnbuckle Cup Open Type L	A-03-VBC-0041	Turnbuckle Cup Open Type L		
C-02-BB-1510-B	10x15 Ball Bearing (2pcs)	B-02-VBC-0078	9.5x0.2mm Shim	B-02-VBC-0060-00	F00 Suspension Mount	B-02-VBC-0060-00	F00 Suspension Mount		
D-05-VBC-0022	WildFire Adjuster Ring Set	B-02-VBC-0020	M2x10 Shaft Pin	A-03-VBC-0034	Steering Block (Composite)	A-03-VBC-0034	Steering Block (Composite)		
D-05-VBC-0036	WildFire Lower Bulkhead (A+B)	A-03-VBC-0047	Belt Tension Adjuster Ring	A-03-VBC-0030	WildFire C-Hub Set (Composite)	A-03-VBC-0030	WildFire C-Hub Set (Composite)		
D-05-VBC-0026	WildFire Motor Mount Set	C-02-SC-R2.0x10	M2x10 Roundhead Screw	B-02-VBC-0033	Steering Swivel Tube	A-03-VBC-0031	Right C-Hub (Composite)		
		B-02-VBC-0057	Lower Bulkhead A	B-02-VBC-0033	Steering Swivel Tube	A-03-VBC-0031	Steering Swivel Tube		
		B-02-VBC-0090	Lower Bulkhead B	B-02-VBC-0074-13	Front Stabilizer 1.3	B-02-VBC-0074-14	Front Stabilizer 1.4(Option)		
B-02-VBC-0059	WildFire Main Gear Bulkhead	B-02-VBC-0058	Motor Mount	B-02-VBC-0074-12	Front Stabilizer 1.2(Option)	B-02-VBC-0074-12	Front Stabilizer 1.2(Option)		
B-02-VBC-0062	Center Suspension Mount (CO)	B-02-VBC-0067	Motor Mount Support	B-02-VBC-0075-14	Rear Stabilizer 1.4(Option)	B-02-VBC-0075-14	Rear Stabilizer 1.4(Option)		
D-05-VBC-0033	WildFire Center Suspension Shim	C-02-SC-F0310	M3x10 Flathead Screw	B-02-VBC-0075-13	Rear Stabilizer 1.3	B-02-VBC-0075-13	Rear Stabilizer 1.3		
D-05-VBC-0030	WildFire Battery Center Position S	B-02-VBC-0059	Main Gear Bulkhead	D-05-VBC-0047	Stabilizer Connector/Collar Set	B-02-VBC-0047	Stabilizer Connector		
		B-02-VBC-0062	Center Suspension Mount	B-02-VBC-0070	Graphite Stabilizer Mount	B-02-VBC-0070	Stabilizer Collar		
		A-01-VBC-0038	Center Suspension Mount Shim(1.0mm)	C-02-SC-SS-0303	M3x3 Set Screw	A-03-VBC-0066	Shock Bottom Connector		
		A-01-VBC-0042	Center Suspension Mount Shim(0.5mm)(Option)	A-03-VBC-0042	Shock Top Connector	A-03-VBC-0043	Spring Bottom Support		
B-02-VBC-0072	Battery Adjust Top Plate	B-02-VBC-0055	Steering Assembly Pole	A-03-VBC-0057	Shock Piston (1 hole)	A-03-VBC-0044	Shock Piston (2 holes)		
A-01-VBC-0033	Battery Position Slider	B-02-VBC-0045	Ball Connector	A-03-VBC-0044	Shock Piston (3 holes)	A-03-VBC-0045	Shock Piston (3 holes)		
C-02-SC-F0308	M3x8 Flathead Screw	C-02-BB-0805-B	5x8 Ball Bearing	A-03-VBC-0046	Shaft Cap	A-03-VBC-0058	Shaft Guide		
D-05-VBC-0037	WildFire Steering Set	C-02-SC-F0310	M3x10 Flathead Screw	A-03-VBC-0058	Shaft Guide	B-02-VBC-0039	Shock Body		
		B-02-VBC-0089	Steering Cone Washer	B-02-VBC-0043	Shock Shaft	B-02-VBC-0042	Shock Height Adjuster		
		B-02-VBC-0019-20	T2 7075 Spacer	A-03-VBC-0043	Spring Bottom Support	B-02-VBC-0041	Shock Bottom Cap		
		B-02-VBC-0019-10	T1 7075 Spacer	A-03-VBC-0057	Shock Piston (1 hole)	A-03-VBC-0047	Shock Piston (1 hole)		
		C-02-SC-R0306	M3x6 Roundhead Screw	A-03-VBC-0044	Shock Piston (2 holes)	A-03-VBC-0044	Shock Piston (2 holes)		
		C-02-SC-SS-0306	M3x6 Set Screw	A-03-VBC-0045	Shock Piston (3 holes)	A-03-VBC-0045	Shock Piston (3 holes)		
		C-02-SC-SS-0310	M3x10 Set Screw	A-03-VBC-0046	Shaft Cap	A-03-VBC-0066	Shock Bottom Connector		
		A-03-VBC-0039	Turnbuckle Cup (Grey)	A-03-VBC-0058	Shaft Guide	A-03-VBC-0046	Shaft Cap		
		A-03-VBC-0056	Turnbuckle Cup S (Grey)	B-02-VBC-0043	Shock Shaft	A-03-VBC-0058	Shaft Guide		
		B-02-VBC-0037	M3x42mm Turnbuckle (Titan)	B-02-VBC-0043	Shock Spring A	B-02-VBC-0043	Shock Spring B		
B-02-VBC-0038	M3x18mm Turnbuckle (Titan)	B-03-VBC-0002	Sealer O-Ring (Shock)	B-02-VBC-0073-B	Shock Spring B(Option)				
A-03-VBC-0048-512	Front Belt Type SS	B-03-VBC-0012	Shaft Sealer O-Ring	B-02-VBC-0073-C	Shock Spring C				
A-03-VBC-0048-177	Rear Belt Type SS	B-02-VBC-0044	M3 E-Clip	B-02-VBC-0073-D	Shock Spring D(Option)				
D-05-VBC-0038	WildFire Mid Belt Tensioner Set	A-03-VBC-0048-177	Rear Belt Type SS	A-03-VBC-0042	Shock Top Connector	A-01-VBC-0027	WildFire Graphite Front Shock Tower		
		B-02-VBC-0069	Belt Tensioner	A-03-VBC-0042	Shock Top Connector	A-01-VBC-0028	WildFire Graphite Rear Shock Tower		
		C-02-BB-0603	3x6 Ball Bearing	B-02-VBC-0065	Servo Mount A	D-05-VBC-0028	WildFire Servo Mount		
		B-02-VBC-0093	3x5x0.5mm Shim	B-02-VBC-0091	Servo Mount B	A-03-VBC-0053	Servo Horn Type F (Composite)		
		C-02-SC-R-0312	M3x12 Roundhead Screw	A-03-VBC-0052	Servo Horn Type A (Composite)	A-03-VBC-0034	Servo Spacer 1mm		
D-05-VBC-0039	20T Center Pulley/Pulley Spacer S	C-02-SC-NN03	M3 Lock Nut	A-03-VBC-0033	Servo Spacer 2mm				
D-05-VBC-0025	WildFire Center Pulley Drive Shaft	A-03-VBC-0023	20T Center Pulley	D-05-VBC-0013	WildFire Bumper Pack	A-03-VBC-0013	Front Bumper Bottom Support		
		A-03-VBC-0060	Center Pulley Spacer	A-03-VBC-0062	Bumper Top Plate	A-03-VBC-0062	Front Body Post		
		B-02-VBC-0087	Center Pulley Drive Shaft	A-03-VBC-0014	Rear Body Post	A-03-VBC-0014	Rear Body Post		
B-02-VBC-0020	M2x10 Shaft Pin	B-02-VBC-0021	Front Spool Pulley 38T	A-03-VBC-0015	Body Height Adjuster Support	A-03-VBC-0015	Body Height Adjuster Support		
B-02-VBC-0085	M5x11 E-Clip	A-03-VBC-0022	Pulley Belt Guide	B-02-VBC-0076	Body Clip	B-02-VBC-0076	Body Clip		
C-02-SC-SS-0306	M3x6 Set Screw	A-03-VBC-0049	Spool Drive Shaft	B-02-VBC-0020-12	M2x12 Shaft Pin	B-02-VBC-0020-12	M2x12 Shaft Pin		
C-02-BB-0805-B	5x8 Ball Bearing	B-02-VBC-0045	Ball Connector	B-03-VBC-0009	Front Foam Bumper	B-03-VBC-0009	Front Foam Bumper		
D-05-VBC-0040	64P Spur Gear 116T	B-02-VBC-0019-20	T2 7075 Spacer	D-05-VBC-0031	WildFire Battery Side Adjuster Set	A-01-VBC-0031	Graphite Adjustable Battery Guard		
A-01-VBC-0026-20	WildFire Standard Upper Deck	A-03-VBC-SG-116	64P Spur Gear 116T			A-01-VBC-0031	Graphite Battery Guard Spacer	A-01-VBC-0031	Graphite Battery Guard Spacer
B-02-VBC-0027	WildFire Upper Bulkhead Set	C-02-SC-R0304	M3x4 Roundhead Screw			C-02-SC-F0312	M3x12 Flathead Screw	C-02-SC-F0312	M3x12 Flathead Screw
B-02-VBC-0045	Ball Connector	B-02-VBC-0063	Upper Bulkhead A	C-02-SC-F0308	M3x8 Flathead Screw	C-02-SC-F0308	M3x8 Flathead Screw		
B-02-VBC-0019-20	T2 7075 Spacer	B-02-VBC-0064	Upper Bulkhead B	C-02-SC-F0310	M3x10 Flathead Screw	C-02-SC-F0310	M3x10 Flathead Screw		
D-05-VBC-0015	WildFire Front Spool Set 38T	B-02-VBC-0045	Ball Connector	B-02-VBC-0029	Suspension Arm Pin	C-02-SC-F0312	M3x12 Flathead Screw		
		B-02-VBC-0019-20	T2 7075 Spacer	B-02-VBC-0029	Suspension Arm Pin	C-02-SC-R0304	M3x4 Roundhead Screw		
		A-03-VBC-0021	Front Spool Pulley 38T	B-02-VBC-0035	Arm Pin Pivot Ball	C-02-SC-R0306	M3x6 Roundhead Screw		
		A-03-VBC-0022	Pulley Belt Guide	B-02-VBC-0061-30	E30 Suspension Mount	C-02-SC-R0308	M3x8 Roundhead Screw		
		A-03-VBC-0049	Spool Drive Shaft	A-01-VBC-0037	1mm Suspension Shim	C-02-SC-R0309	M3x9 Roundhead Screw		
D-05-VBC-0035	Spool Pulley Set	A-01-VBC-0041	0.5mm Suspension Shim(Option)	C-02-SC-R0310	M3x10 Roundhead Screw	C-02-SC-R0310	M3x10 Roundhead Screw(Option)		
D-05-VBC-0016	WildFire Suspension Arm Set (Co	A-03-VBC-0055	Front Spool Outdrive	A-03-VBC-0037	Rear Suspension Upright (Composite)	C-02-SC-R-0312	M3x12 Roundhead Screw		
		A-03-VBC-0049	Spool Drive Shaft	A-03-VBC-0038	Shaft End Shoe	C-02-SC-R-0316	M3x16 Roundhead Screw		
		A-03-VBC-0024	Front Suspension Arm (Composite)	A-03-VBC-0038	Shaft End Shoe	C-02-SC-R-0316	M3x16 Roundhead Screw(Option)		
		A-03-VBC-0050	Rear Suspension Arm (Composite)						
		A-03-VBC-0051	Suspension Arm Spacer T1(Composite)						
B-02-VBC-0029	Suspension Arm Pin								
B-02-VBC-0035	Arm Pin Pivot Ball								
B-02-VBC-0061-30	E30 Suspension Mount								
D-05-VBC-0032	WildFire Front/Rear Suspension S								
A-03-VBC-0037	Rear Suspension Upright (Compo								
A-03-VBC-0038	Shaft End Shoe								



COMPETITION GRADE HIGH PERFORMANCE RADIO CONTROL RACING CAR CHASSIS KIT



1/10 4WD ELECTRIC COMPETITION TOURING CAR KIT