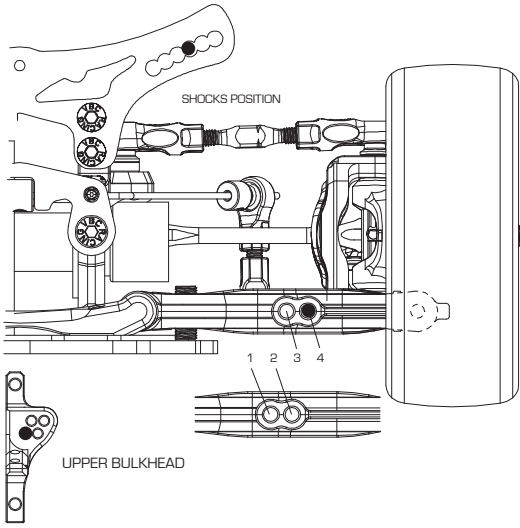




1/10 4WD ELECTRIC COMPETITION TOURING CAR KIT

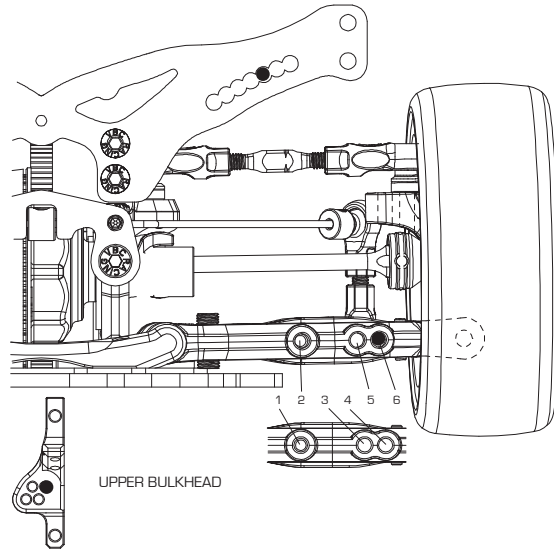
SETUP SHEET

DRIVER	Default	DATE	
TRACK NAME		RESULT	
TRACK SURFACE		GRIP CONDITION	HI MED LOW
HUMIDITY		TRACK TEMP	



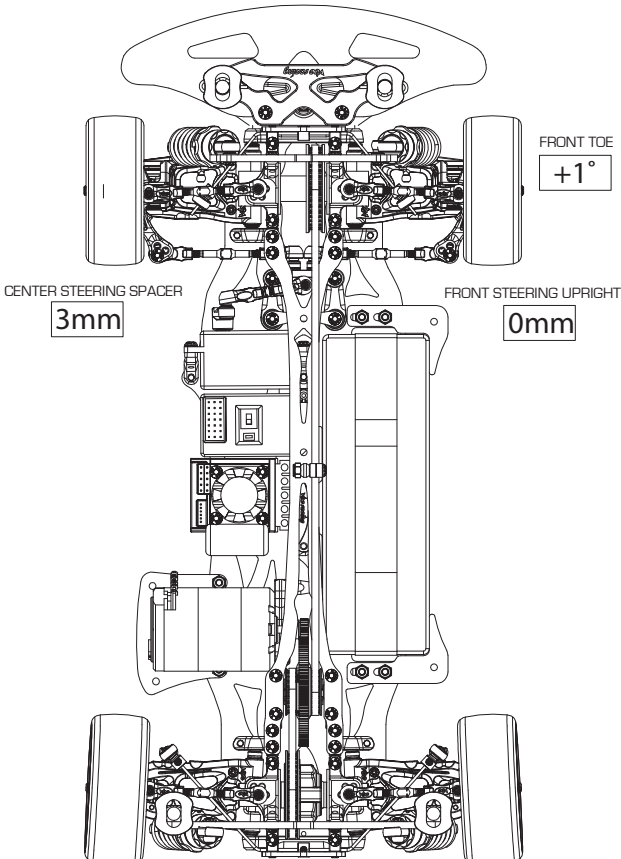
FRONT

GROUND CLEARANCE	4.5 mm	REBOUND	25%
CAMBER ANGLE	-1.5 °	TOE ANGLE	-1 °
CASTER BLOCK		FRONT DRIVE DIFF (OIL)	DIREC
STABILIZER	1.2 1.3 1.4	WHEEL SPACER	0 mm
FRONT SUSPENSION MOUNT SHIM	0.5 mm	REAR SUSPENSION MOUNT SHIM	0.5 mm
FRONT SUSPENSION MOUNT	F00	REAR SUSPENSION MOUNT	C0
DOWNSTOP	6 mm		




REAR

GROUND CLEARANCE	5 mm	REBOUND	25%
CAMBER ANGLE	-1.5 °	TOE ANGLE	
		FRONT DRIVE DIFF (OIL)	10000
STABILIZER	1.2 1.3 1.4	WHEEL SPACER	mm
FRONT SUSPENSION MOUNT SHIM	0.5 mm	REAR SUSPENSION MOUNT SHIM	0.5 mm
FRONT SUSPENSION MOUNT	E30	REAR SUSPENSION MOUNT	C0
DOWNSTOP	5 mm		



FRONT SHOCK LENGTH	63.5mm	REAR SHOCK LENGTH	63.5mm
PISTON	1 2 3 hole(s)	PISTON	1 2 3 hole(s)
OIL	350	OIL	350
SPRING	White	SPRING	Red



MOTOR	SPUR	116T 64P	PINION
TIRE	TIRE INSERT		WHEEL
TIRE ADDITIVE	BODY		BATTERY
REMARKS	_____ _____ _____ _____ _____		