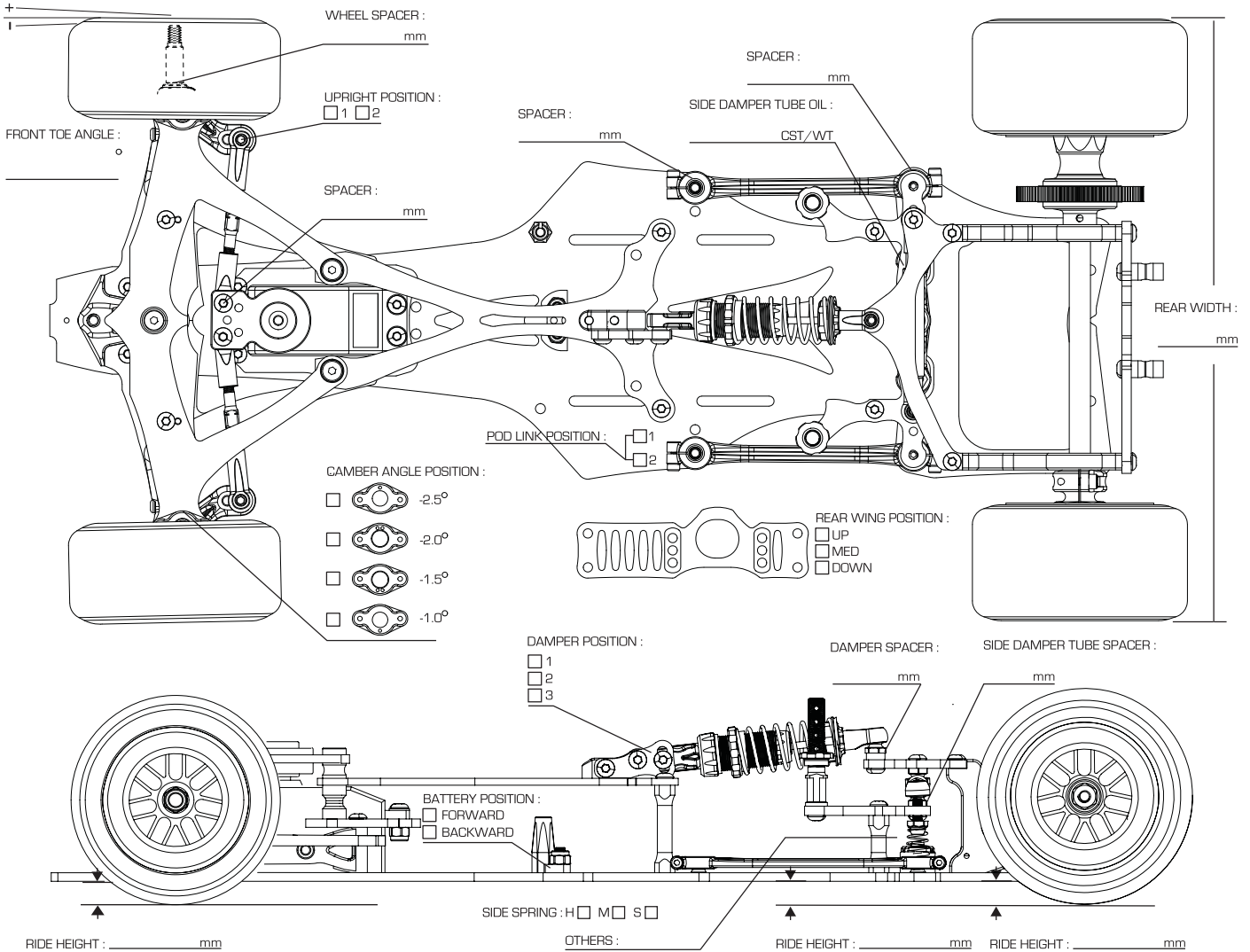
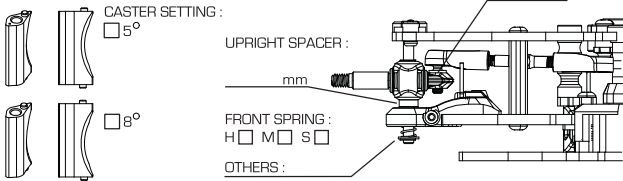




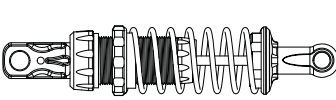
SETUP SHEET



FRONT



TBX SHOCK



SHOCK LENGTH: _____ mm

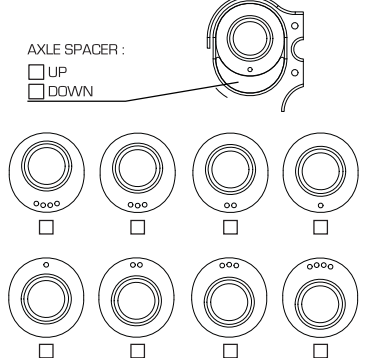
PISTON: 2 3 HOLE(S) / OTHERS _____

OIL: _____ CST/WT

SPRING: H M S / OTHERS _____

REBOUND: _____ %

REAR AXLE



FRONT TIRES

TIRE: _____

DIAMETER: _____ mm

WHEEL: _____

TIRE TREATMENT: _____

TREATMENT TIME: _____

SURFACE TREATED: _____

NOTES: _____

REAR TIRES

TIRE: _____

DIAMETER: _____ mm

WHEEL: _____

TIRE TREATMENT: _____

TREATMENT TIME: _____

SURFACE TREATED: _____

NOTES: _____

MOTOR: _____ ROTOR: _____ TIMING: _____

SPUR: _____ PITCH/ _____ T PINION: _____ PITCH/ _____ T ROLLOUT: _____

ESC: _____ SETUP: _____ BATTERY: _____

STEERING EXPO: _____ BRAKE E.P.: _____ THROTTLE EXPO: _____

BODY: _____ WEIGHT: _____

REMARKS: _____