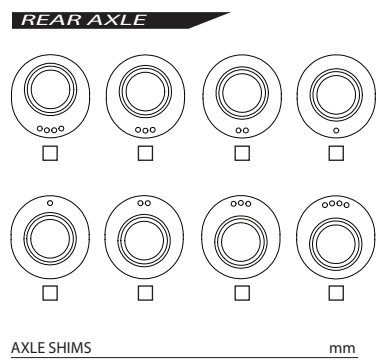
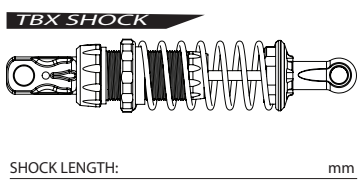
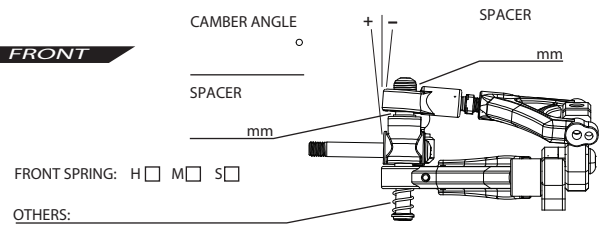
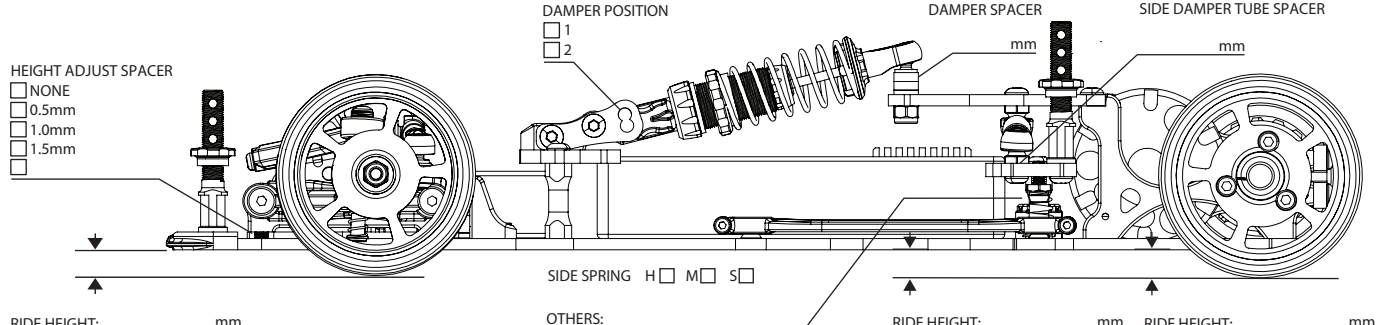
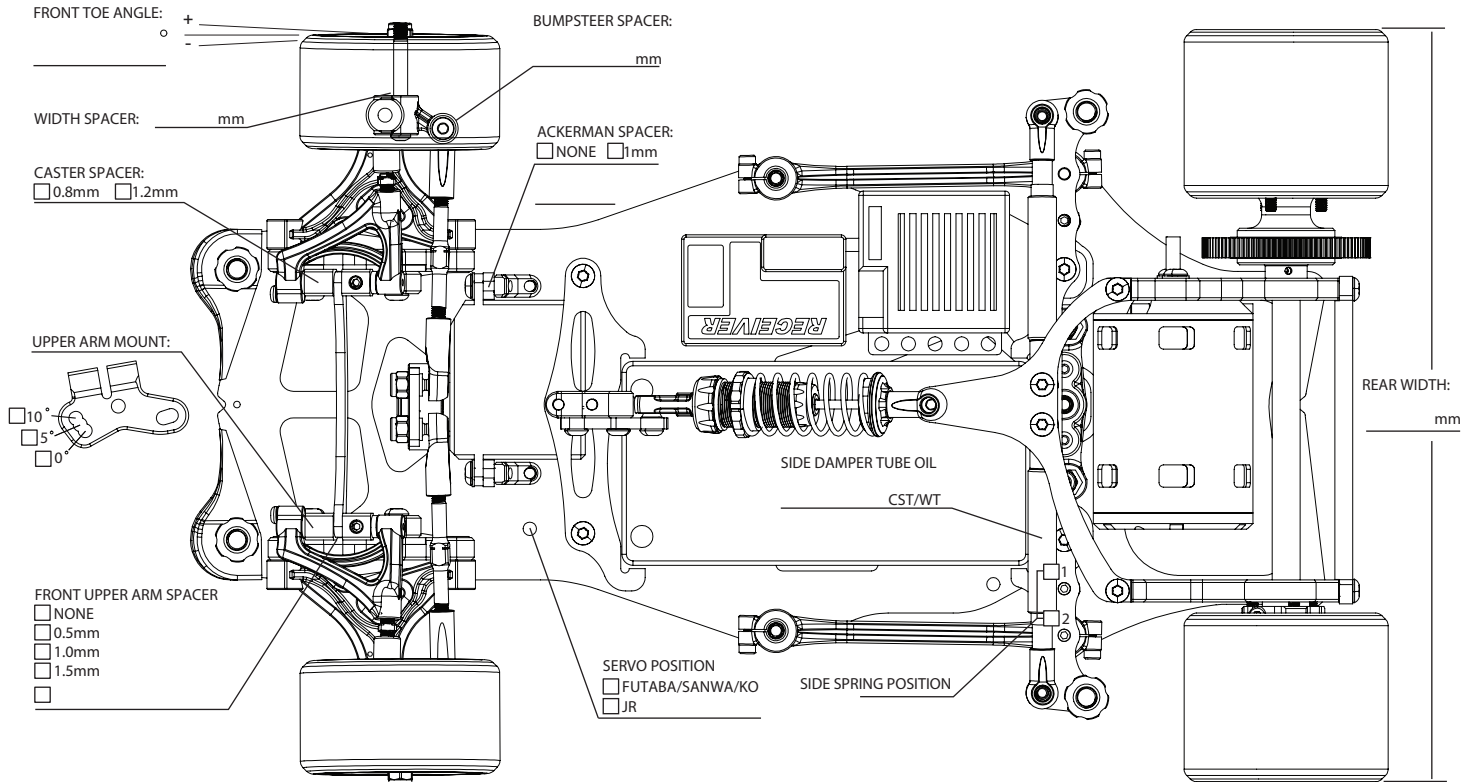




1/12 SCALE ELECTRIC COMPETITION CAR KIT



SETUP SHEET



FRONT TIRES

TIRE: _____

DIAMETER: _____ mm

WHEEL: _____

TIRE TREATMENT: _____

TREATMENT TIME: _____

SURFACE TREATED: _____

NOTES: _____

REAR TIRES

TIRE: _____

DIAMETER: _____ mm

WHEEL: _____

TIRE TREATMENT: _____

TREATMENT TIME: _____

SURFACE TREATED: _____

NOTES: _____

MOTOR: _____ ROTOR: _____ TIMING: _____

SPUR: _____ T PINION: _____ T PITCH: _____ ROLLOUT: _____

ESC: _____ SETUP: _____ BATTERY: _____

STEERING EXPO: _____ BRAKE E.P.: _____ THROTTLE EXPO: _____

BODY: _____ WEIGHT: _____

REMARKS: _____