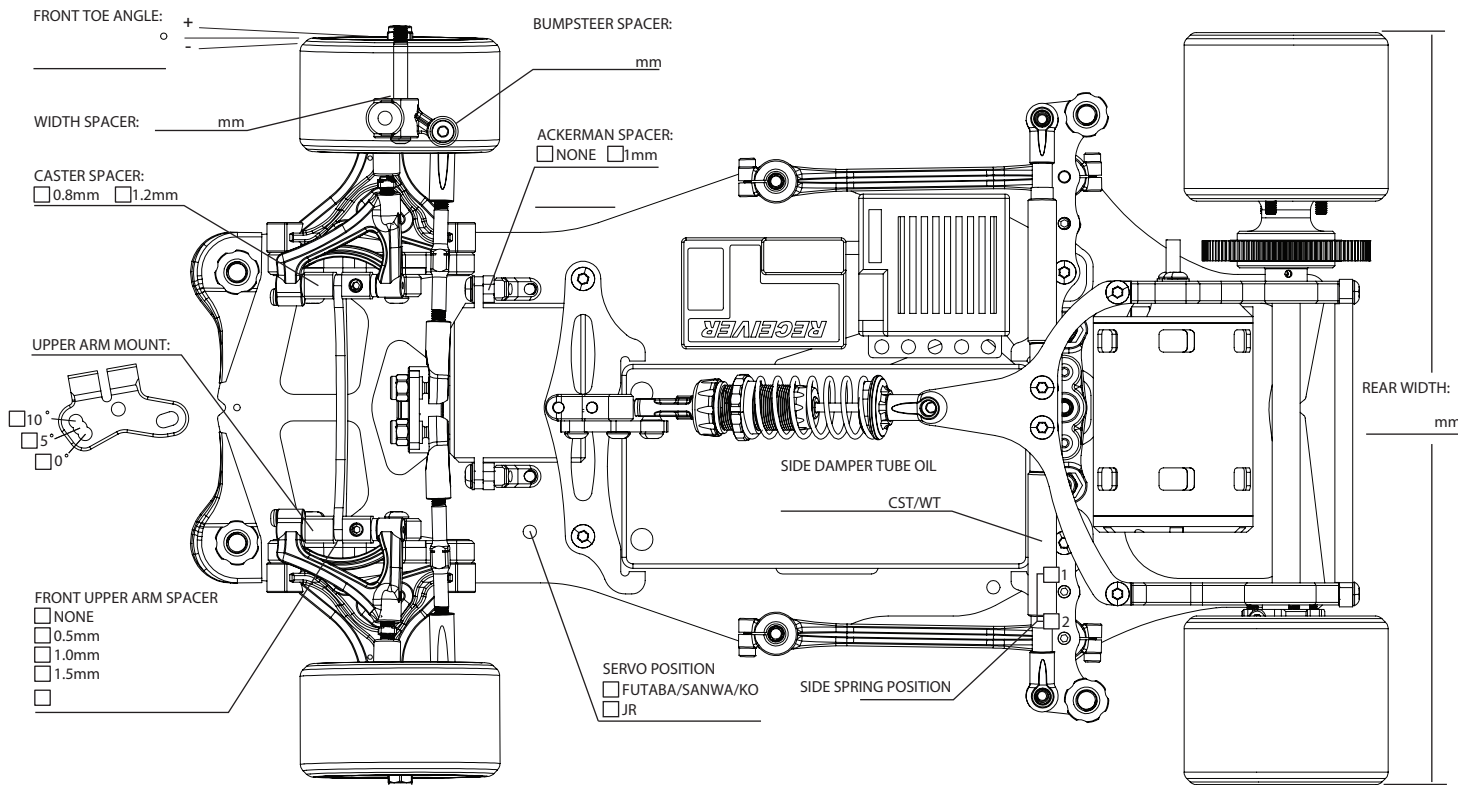


# LIGHTNING12

1/12 SCALE ELECTRIC COMPETITION CAR KIT

Arn0  
vbc racing

## SETUP SHEET



- HEIGHT ADJUST SPACER
- NONE
  - 0.5mm
  - 1.0mm
  - 1.5mm

- DAMPER POSITION
- 1
  - 2

DAMPER SPACER \_\_\_\_\_ mm

SIDE DAMPER TUBE SPACER \_\_\_\_\_ mm

SIDE SPRING H  M  S

OTHERS: \_\_\_\_\_

RIDE HEIGHT: \_\_\_\_\_ mm

RIDE HEIGHT: \_\_\_\_\_ mm

### FRONT

CAMBER ANGLE  $\circ$  + \_\_\_\_\_ - \_\_\_\_\_

SPACER \_\_\_\_\_ mm

FRONT SPRING: H  M  S

OTHERS: \_\_\_\_\_

### TBX SHOCK



SHOCK LENGTH: \_\_\_\_\_ mm

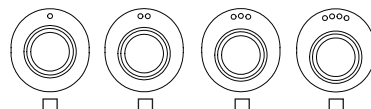
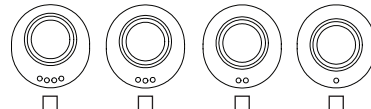
PISTON: 2  3  HOLES / OTHERS: \_\_\_\_\_

OIL: \_\_\_\_\_ CST/WT

SPRING: H  M  S  / OTHERS \_\_\_\_\_

REBOUND: \_\_\_\_\_ %

### REAR AXLE



AXLE SHIMS \_\_\_\_\_ mm

### FRONT TIRES

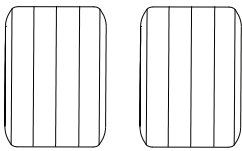
TIRE: \_\_\_\_\_

DIAMETER: \_\_\_\_\_ mm

WHEEL: \_\_\_\_\_

TIRE TREATMENT: \_\_\_\_\_

TREATMENT TIME: \_\_\_\_\_



SURFACE TREATED: \_\_\_\_\_

NOTES: \_\_\_\_\_

### REAR TIRES

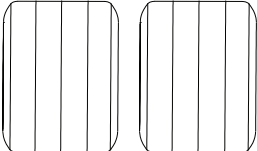
TIRE: \_\_\_\_\_

DIAMETER: \_\_\_\_\_ mm

WHEEL: \_\_\_\_\_

TIRE TREATMENT: \_\_\_\_\_

TREATMENT TIME: \_\_\_\_\_



SURFACE TREATED: \_\_\_\_\_

NOTES: \_\_\_\_\_

MOTOR: \_\_\_\_\_ ROTOR: \_\_\_\_\_ TIMING: \_\_\_\_\_

SPUR: \_\_\_\_\_ T PINION: \_\_\_\_\_ T PITCH: \_\_\_\_\_ ROLLOUT: \_\_\_\_\_

ESC: \_\_\_\_\_ SETUP: \_\_\_\_\_ BATTERY: \_\_\_\_\_

STEERING EXPO: \_\_\_\_\_ BRAKE E.P.: \_\_\_\_\_ THROTTLE EXPO: \_\_\_\_\_

BODY: \_\_\_\_\_ WEIGHT: \_\_\_\_\_

REMARKS: \_\_\_\_\_