

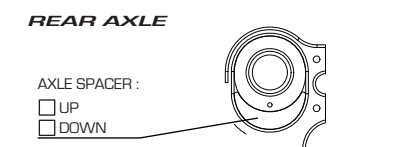
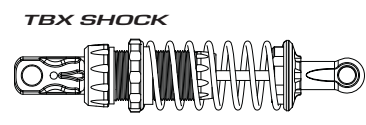
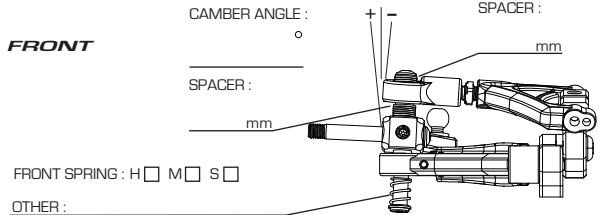
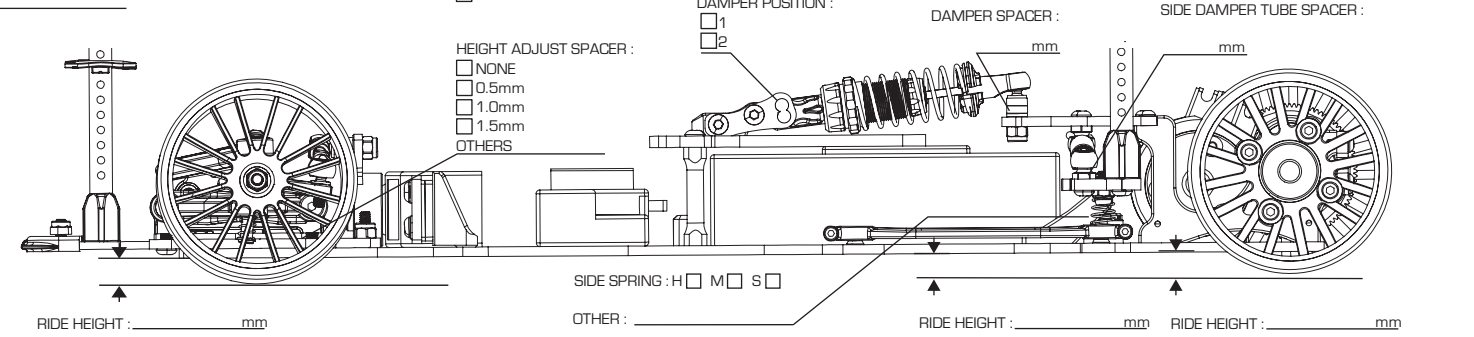
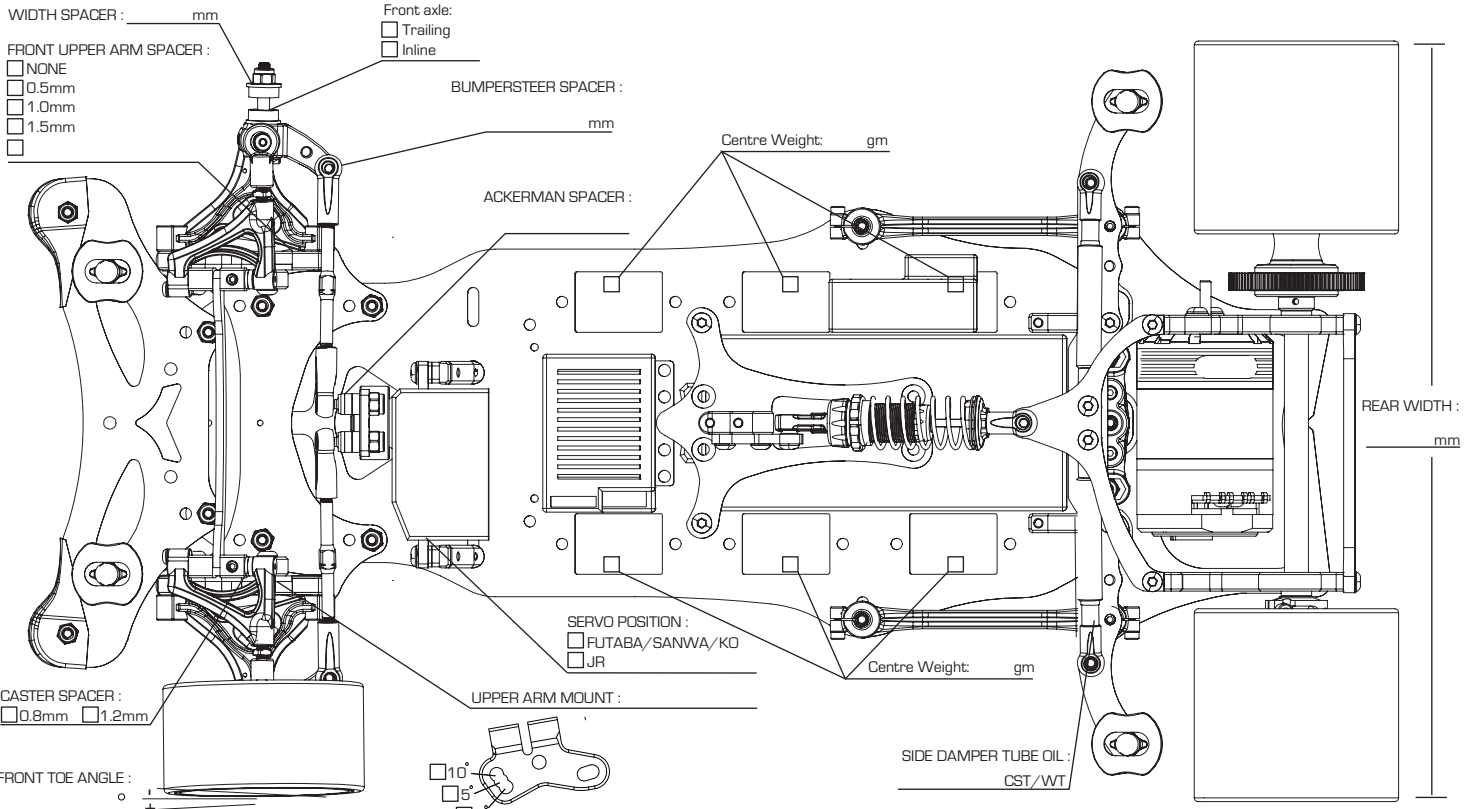


1/10 SCALE ELECTRIC COMPETITION CAR KIT



SETUP SHEET

Arn0



FRONT TIRES

TIRE: _____

DIAMETER: _____ mm

WHEEL: _____

TIRE TREATMENT: _____

TREATMENT TIME: _____

SURFACE TREATED: _____

NOTES: _____

REAR TIRES

TIRE: _____

DIAMETER: _____ mm

WHEEL: _____

TIRE TREATMENT: _____

TREATMENT TIME: _____

SURFACE TREATED: _____

NOTES: _____

SHOCK LENGTH: _____ mm

PISTON: 2 3 HOLE(S) / OTHER: _____

OIL: _____ CST / WT

SPRING: H M S / OTHER: _____

REBOUND: _____ %

MOTOR: _____ ROTOR: _____ TIMING: _____

SPUR: _____ T PITCH: _____ PINION: _____ T ROLLOUT: _____

ESC: _____ SETUP: _____ BATTERY: _____

STEERING EXPO: _____ BRAKE E.P.: _____ THROTTLE EXPO: _____

BODY: _____ WEIGHT: _____

REMARKS: _____

