

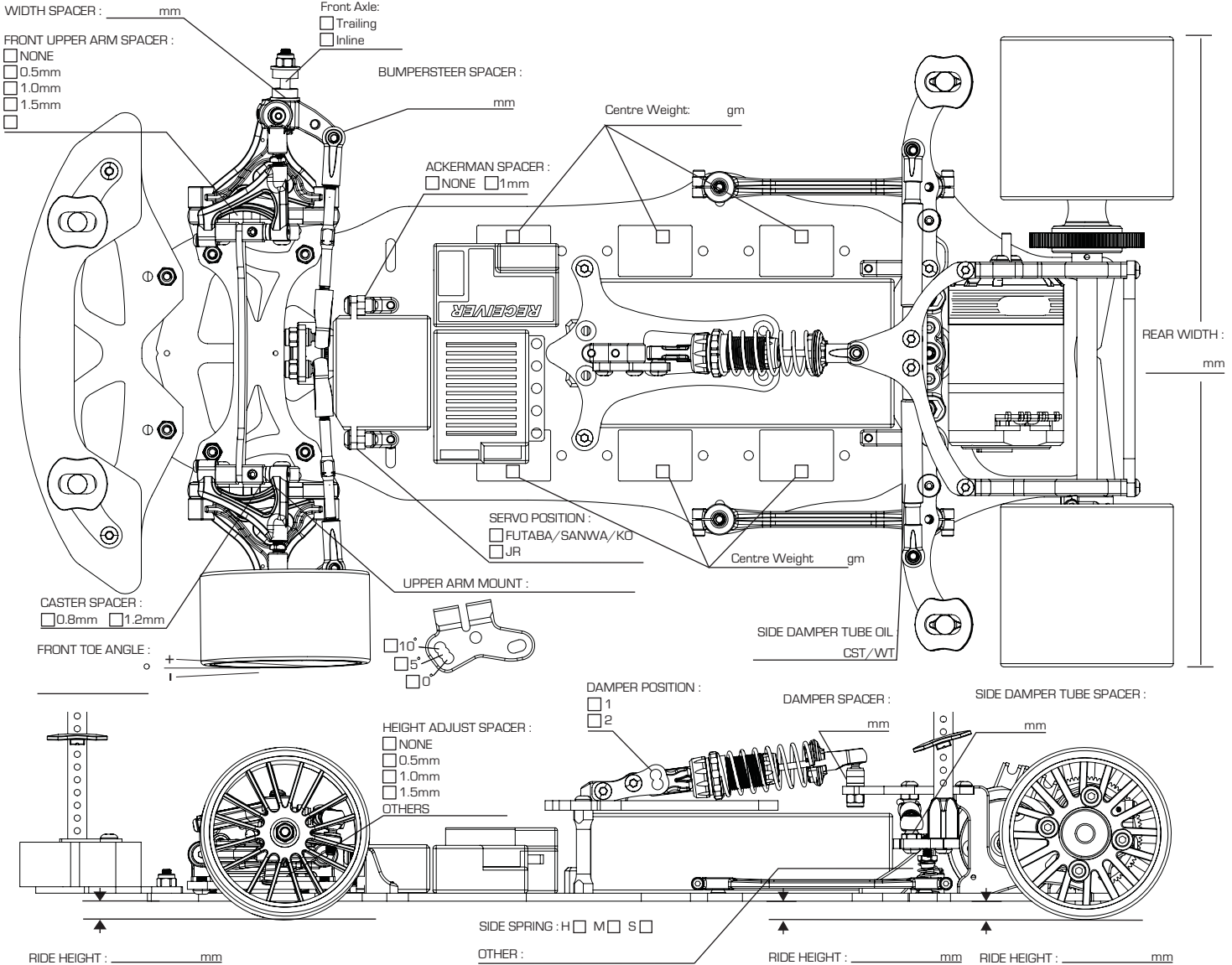


1/10 SCALE ELECTRIC COMPETITION CAR KIT

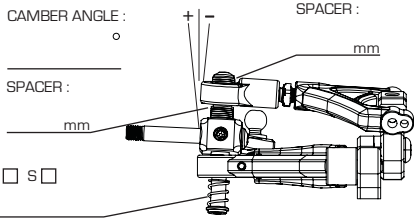


**SETUP SHEET**

Arn0



**FRONT**



**FRONT TIRES**

TIRE: \_\_\_\_\_

DIAMETER: \_\_\_\_\_ mm

WHEEL: \_\_\_\_\_

TIRE TREATMENT: \_\_\_\_\_

TREATMENT TIME: \_\_\_\_\_

SURFACE TREATED: \_\_\_\_\_

NOTES: \_\_\_\_\_

**REAR TIRES**

TIRE: \_\_\_\_\_

DIAMETER: \_\_\_\_\_ mm

WHEEL: \_\_\_\_\_

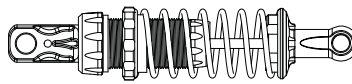
TIRE TREATMENT: \_\_\_\_\_

TREATMENT TIME: \_\_\_\_\_

SURFACE TREATED: \_\_\_\_\_

NOTES: \_\_\_\_\_

**TBX SHOCK**



**SHOCK LENGTH:** \_\_\_\_\_ mm

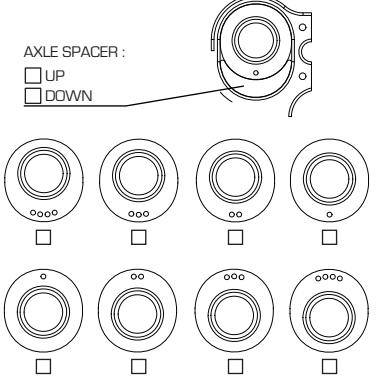
**PISTON:** 2  3  HOLE(S) / OTHER: \_\_\_\_\_

**OIL:** \_\_\_\_\_ CST / WT

**SPRING:** H  M  S  / OTHER: \_\_\_\_\_

**REBOUND:** \_\_\_\_\_ %

**REAR AXLE**



**MOTOR:** \_\_\_\_\_ **ROTOR:** \_\_\_\_\_ **TIMING:** \_\_\_\_\_

**SPUR:** \_\_\_\_\_ **T PITCH:** \_\_\_\_\_ **PINION:** \_\_\_\_\_ **T ROLLOUT:** \_\_\_\_\_

**ESC:** \_\_\_\_\_ **SETUP:** \_\_\_\_\_ **BATTERY:** \_\_\_\_\_

**STEERING EXPO:** \_\_\_\_\_ **BRAKE E.P.:** \_\_\_\_\_ **THROTTLE EXPO:** \_\_\_\_\_

**BODY:** \_\_\_\_\_ **WEIGHT:** \_\_\_\_\_

**REMARKS:** \_\_\_\_\_