

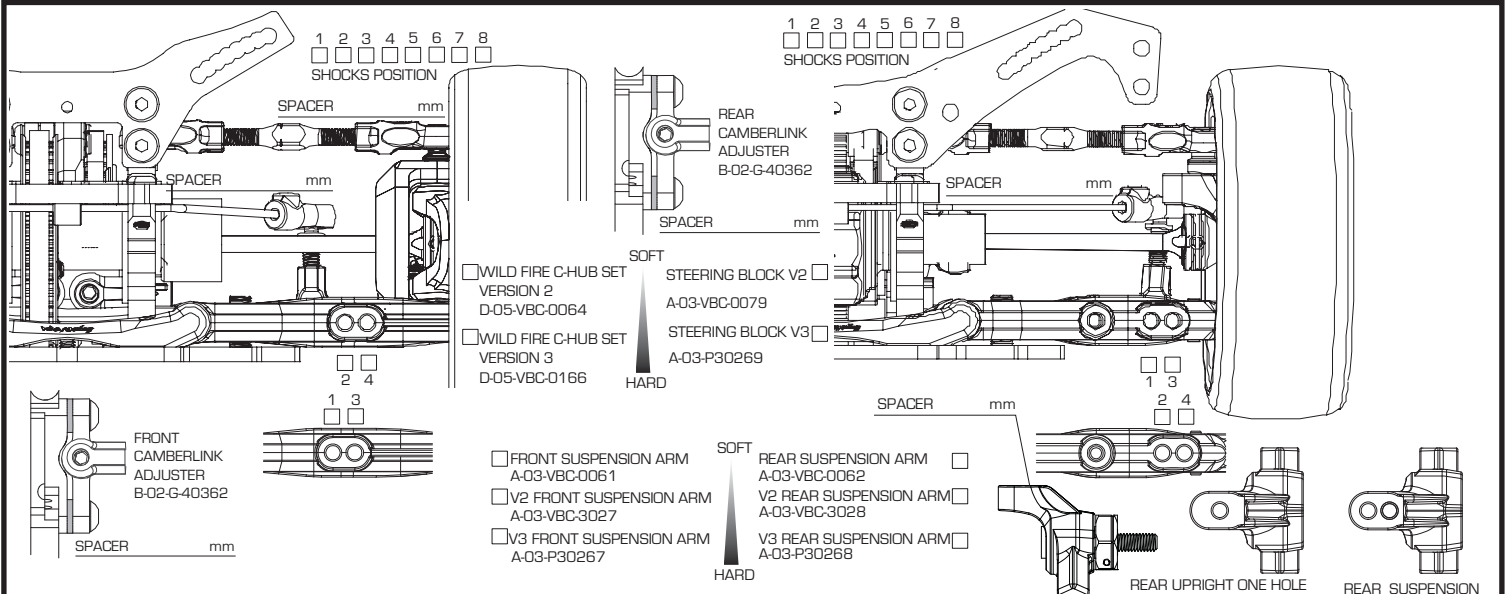


1/10 4WD ELECTRIC COMPETITION TOURING CAR KIT

SETUP SHEET



DRIVER	DATE		
TRACK	RESULT		
ASPHALT / CARPET	INDOOR / OUTDOOR	BEST LAP	
HUMIDITY	TRACK TEMP	AIR TEMP	
GRIP LOW MEDIUM HIGH	SURFACE BUMPY MEDIUM SMOOTH		



**FRONT**

GROUND CLEARANCE mm DROOP

CAMBER ANGLE ° TOE ANGLE °

CASTER BLOCK ° FRONT DRIVE DIFF (OIL ) / DIRECT

STABILIZER 1.2 1.3 1.4 WHEEL SPACER mm

SUSPENSION SHIM (FF) mm SUSPENSION SHIM (FR) mm

SUSPENSION MOUNT (FF) SUSPENSION MOUNT (FR)

AXLE TYPE / SIZE TWO-PIECE JOINT / SINGLE JOINT (STEEL/ALUM) mm

**REAR**

GROUND CLEARANCE mm DROOP

CAMBER ANGLE ° TOE ANGLE °

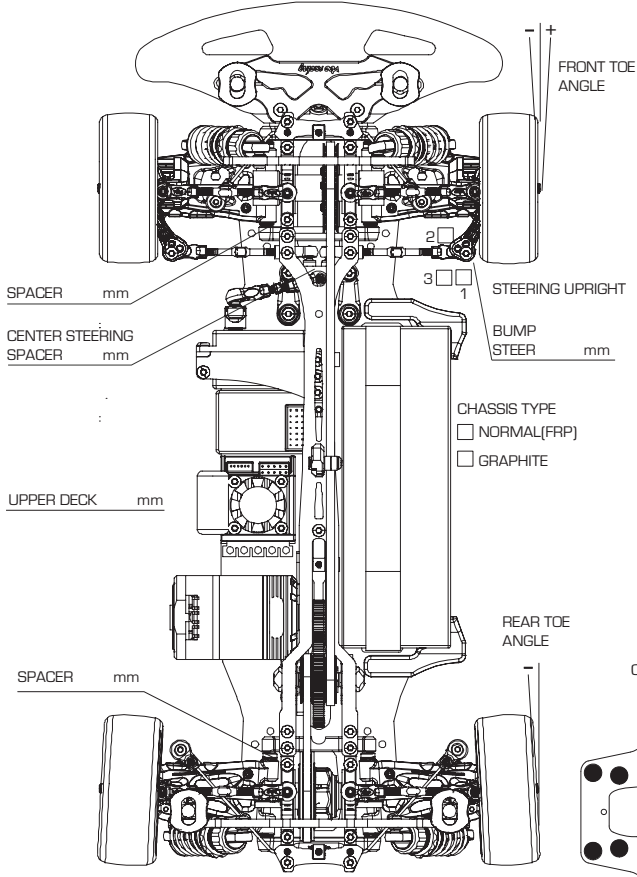
REAR DRIVE DIFF (OIL ) DRIVE CUP ALUMINUM / STEEL

STABILIZER 1.2 1.3 1.4 WHEEL SPACER mm

SUSPENSION SHIM (RF) mm SUSPENSION SHIM (RR) mm

SUSPENSION MOUNT (RF) SUSPENSION MOUNT (RR)

AXLE TYPE / SIZE TWO-PIECE JOINT / SINGLE JOINT (STEEL/ALUMINUM) mm



**FRONT**

SHOCK LENGTH mm

PISTON 3 4 hole(s) / OTHERS

OIL

SPRING

OIL SEALER CAP S / MS / M / H

REBOUND %

NOTES

MOTOR SPUR T

TIRE TIRE INSERT WHEEL

TIRE ADDICTIVE BODY REAR WING

ESC BATTERY

REMARKS

**REAR**

SHOCK LENGTH mm

PISTON 3 4 hole(s) / OTHERS

OIL

SPRING

OIL SEALER CAP S / MS / M / H

REBOUND %

NOTES

PITCH PINION T

Chassis Flex Settin (Fill in the Circle)

