



1/10 4WD ELECTRIC COMPETITION TOURING CAR KIT

SETUP SHEET



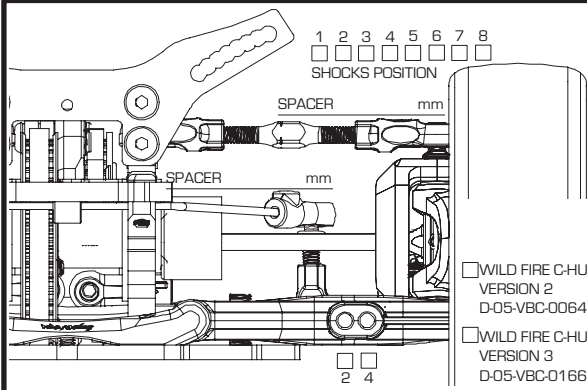
DRIVER \_\_\_\_\_ DATE \_\_\_\_\_

TRACK \_\_\_\_\_ RESULT \_\_\_\_\_

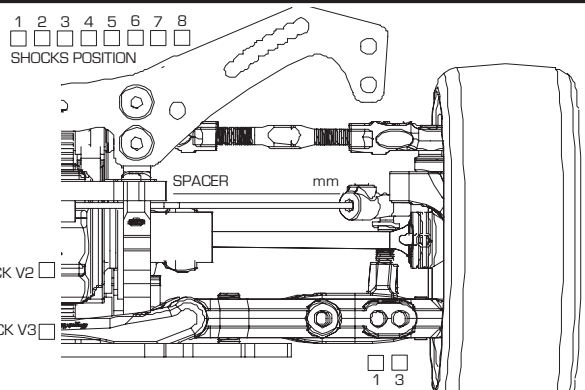
ASPHALT / CARPET INDOOR / OUTDOOR BEST LAP \_\_\_\_\_

HUMIDITY \_\_\_\_\_ TRACK TEMP \_\_\_\_\_ AIR TEMP \_\_\_\_\_

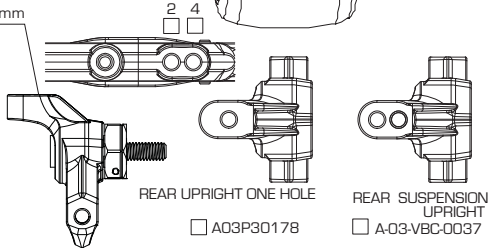
GRIP LOW MEDIUM HIGH SURFACE BUMPY MEDIUM SMOOTH



- WILD FIRE C-HUB SET VERSION 2 D-05-VBC-0064
- WILD FIRE C-HUB SET VERSION 3 D-05-VBC-0166
- SOFT  
 STEERING BLOCK V2  A-03-VBC-0079  
 STEERING BLOCK V3  A-03-P30269  
 HARD



- FRONT SUSPENSION ARM A-03-VBC-0061
- V2 FRONT SUSPENSION ARM A-03-VBC-3027
- V3 FRONT SUSPENSION ARM A-03-P30267
- SOFT  
 REAR SUSPENSION ARM A-03-VBC-0062  
 V2 REAR SUSPENSION ARM A-03-VBC-3028  
 V3 REAR SUSPENSION ARM A-03-P30268  
 HARD



FRONT

GROUND CLEARANCE mm DROOP \_\_\_\_\_

CAMBER ANGLE ° TOE ANGLE \_\_\_\_\_

CASTER BLOCK ° FRONT DRIVE DIFF (OIL ) / DIRECT

STABILIZER 1.2 1.3 1.4 WHEEL SPACER mm

SUSPENSION SHIM (FF) mm SUSPENSION SHIM (FR) mm

SUSPENSION MOUNT (FF) SUSPENSION MOUNT (FR)

AXLE TYPE / SIZE TWO-PIECE JOINT / SINGLE JOINT (STEEL/ALUM) mm

REAR

GROUND CLEARANCE mm DROOP \_\_\_\_\_

CAMBER ANGLE ° TOE ANGLE \_\_\_\_\_

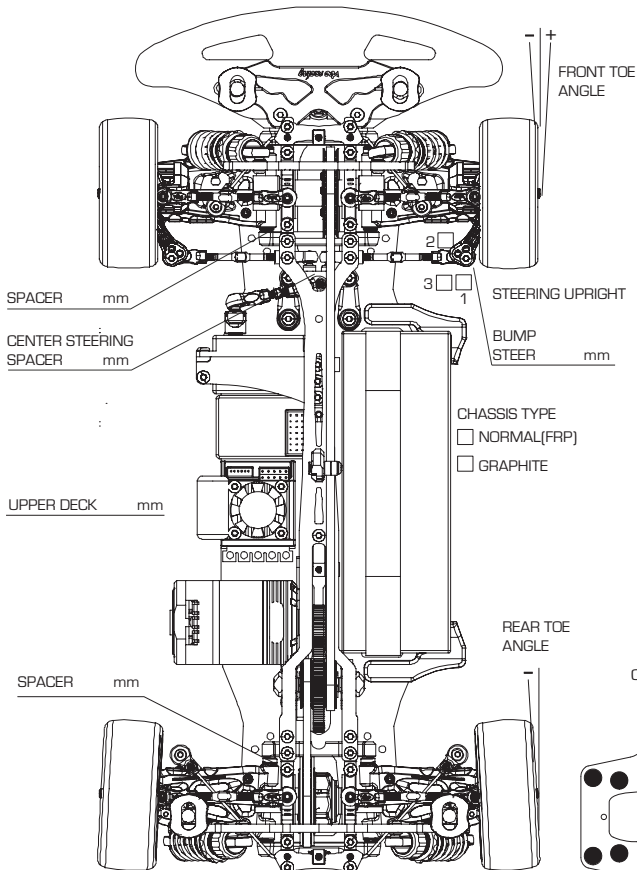
REAR DRIVE DIFF (OIL ) DRIVE CUP ALUMINUM / STEEL

STABILIZER 1.2 1.3 1.4 WHEEL SPACER mm

SUSPENSION SHIM (RF) mm SUSPENSION SHIM (RR) mm

SUSPENSION MOUNT (RF) SUSPENSION MOUNT (RR)

AXLE TYPE / SIZE TWO-PIECE JOINT / SINGLE JOINT (STEEL/ALUMINUM) mm



FRONT

SHOCK LENGTH mm

PISTON 3 4 hole(s) / OTHERS \_\_\_\_\_

OIL \_\_\_\_\_

SPRING \_\_\_\_\_

OIL SEALER CAP S / MS / M / H \_\_\_\_\_

REBOUND % \_\_\_\_\_

NOTES \_\_\_\_\_

MOTOR SPUR T PITCH PINION T

TIRE TIRE INSERT WHEEL

TIRE ADDICTIVE BODY REAR WING

ESC BATTERY

REMARKS \_\_\_\_\_

REAR

SHOCK LENGTH mm

PISTON 3 4 hole(s) / OTHERS \_\_\_\_\_

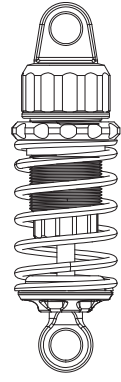
OIL \_\_\_\_\_

SPRING \_\_\_\_\_

OIL SEALER CAP S / MS / M / H \_\_\_\_\_

REBOUND % \_\_\_\_\_

NOTES \_\_\_\_\_



Chassis Flex Settin (Fill in the Circle)

