



1/10 4WD ELECTRIC COMPETITION TOURING CAR KIT

SETUP SHEET



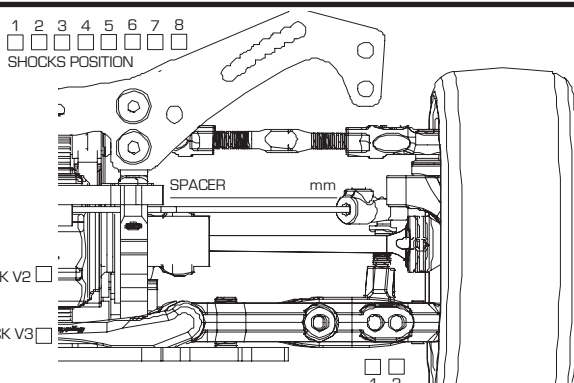
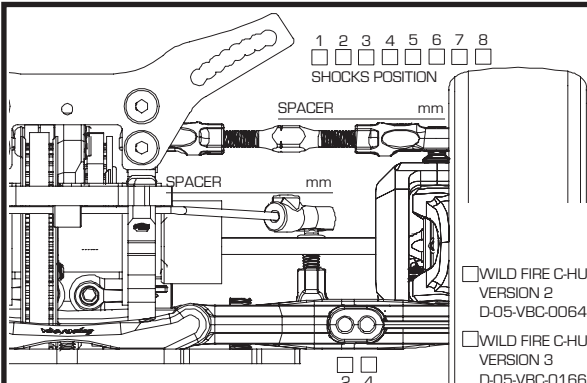
DRIVER _____ DATE _____

TRACK _____ RESULT _____

ASPHALT / CARPET INDOOR / OUTDOOR BEST LAP _____

HUMIDITY _____ TRACK TEMP _____ AIR TEMP _____

GRIP LOW MEDIUM HIGH SURFACE BUMPY MEDIUM SMOOTH



- SOFT
- WILD FIRE C-HUB SET VERSION 2 D-05-VBC-0064
- WILD FIRE C-HUB SET VERSION 3 D-05-VBC-0166
- HARD
- STEERING BLOCK V2 A-03-VBC-0079
- STEERING BLOCK V3 A-03-P30269

- SOFT
- FRONT SUSPENSION ARM A-03-VBC-0061
- V2 FRONT SUSPENSION ARM A-03-VBC-3027
- V3 FRONT SUSPENSION ARM A-03-P30267
- HARD
- REAR SUSPENSION ARM A-03-VBC-0062
- V2 REAR SUSPENSION ARM A-03-VBC-3028
- V3 REAR SUSPENSION ARM A-03-P30268

FRONT

GROUND CLEARANCE mm DROOP _____

CAMBER ANGLE ° TOE ANGLE _____

CASTER BLOCK ° FRONT DRIVE DIFF (OIL) / DIRECT

STABILIZER 1.2 1.3 1.4 WHEEL SPACER mm

SUSPENSION SHIM (FF) mm SUSPENSION SHIM (FR) mm

SUSPENSION MOUNT (FF) SUSPENSION MOUNT (FR)

AXLE TYPE / SIZE TWO-PIECE JOINT / SINGLE JOINT (STEEL/ALUM) mm

REAR

GROUND CLEARANCE mm DROOP _____

CAMBER ANGLE ° TOE ANGLE _____

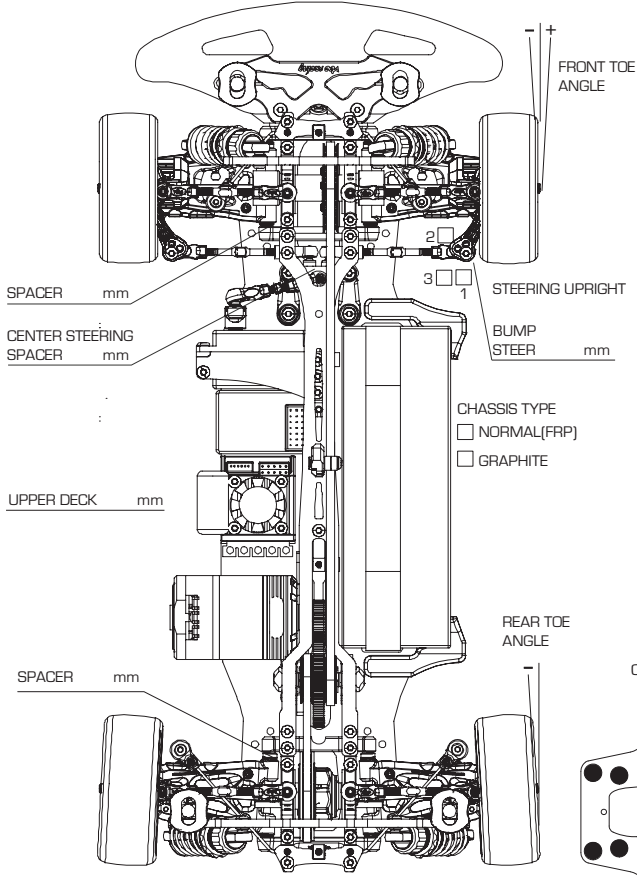
REAR DRIVE DIFF (OIL) DRIVE CUP ALUMINUM / STEEL

STABILIZER 1.2 1.3 1.4 WHEEL SPACER mm

SUSPENSION SHIM (RF) mm SUSPENSION SHIM (RR) mm

SUSPENSION MOUNT (RF) SUSPENSION MOUNT (RR)

AXLE TYPE / SIZE TWO-PIECE JOINT / SINGLE JOINT (STEEL/ALUMINUM) mm



FRONT

SHOCK LENGTH mm

PISTON 3 4 hole(s) / OTHERS _____

OIL _____

SPRING _____

OIL SEALER CAP S / MS / M / H _____

REBOUND % _____

NOTES _____

MOTOR SPUR T PITCH PINION T

TIRE TIRE INSERT WHEEL

TIRE ADDICTIVE BODY REAR WING

ESC BATTERY

REMARKS _____

REAR

SHOCK LENGTH mm

PISTON 3 4 hole(s) / OTHERS _____

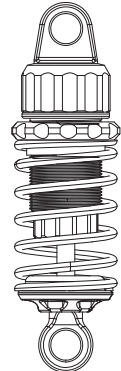
OIL _____

SPRING _____

OIL SEALER CAP S / MS / M / H _____

REBOUND % _____

NOTES _____



Chassis Flex Settin (Fill in the Circle)

