

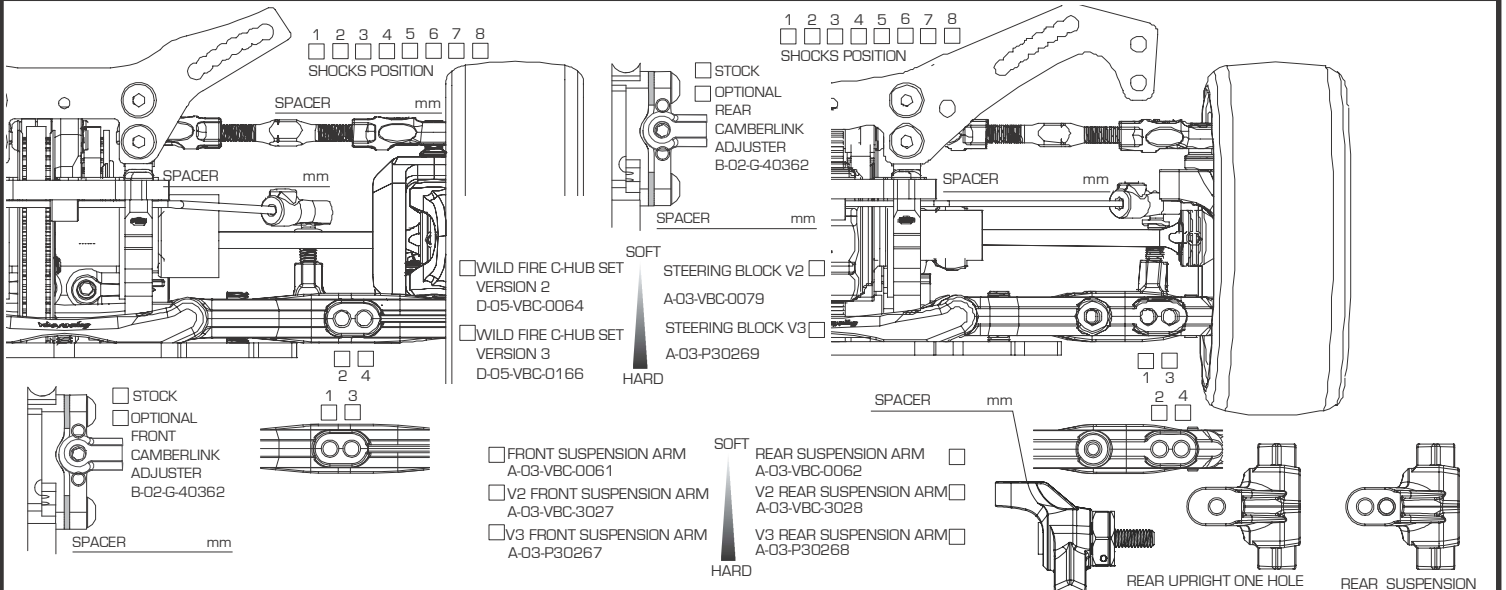


1/10 4WD ELECTRIC COMPETITION TOURING CAR KIT

SETUP SHEET



DRIVER	DATE		
TRACK	RESULT		
ASPHALT / CARPET	INDOOR / OUTDOOR	BEST LAP	
HUMIDITY	TRACK TEMP	AIR TEMP	
GRIP LOW MEDIUM HIGH	SURFACE BUMPY MEDIUM SMOOTH		



FRONT

GROUND CLEARANCE \_\_\_\_\_ mm DROOP \_\_\_\_\_

CAMBER ANGLE \_\_\_\_\_ TOE ANGLE \_\_\_\_\_

CASTER BLOCK \_\_\_\_\_ FRONT DRIVE DIFF (OIL \_\_\_\_\_) / DIRECT \_\_\_\_\_

STABILIZER 1.2 1.3 1.4 WHEEL SPACER \_\_\_\_\_ mm

SUSPENSION SHIM (FF) \_\_\_\_\_ mm SUSPENSION SHIM (FR) \_\_\_\_\_ mm

SUSPENSION MOUNT (FF) \_\_\_\_\_ SUSPENSION MOUNT (FR) \_\_\_\_\_

AXLE TYPE / SIZE TWO-PIECE JOINT / SINGLE JOINT (STEEL/ALUM) \_\_\_\_\_ mm

REAR

GROUND CLEARANCE \_\_\_\_\_ mm DROOP \_\_\_\_\_

CAMBER ANGLE \_\_\_\_\_ TOE ANGLE \_\_\_\_\_

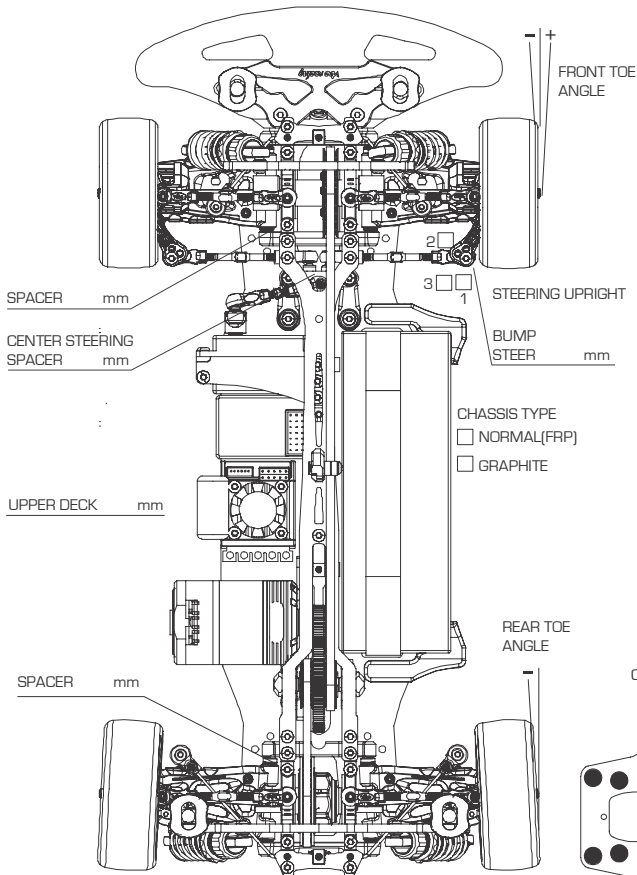
REAR DRIVE DIFF (OIL \_\_\_\_\_) DRIVE CUP \_\_\_\_\_ ALUMINUM / STEEL \_\_\_\_\_

STABILIZER 1.2 1.3 1.4 WHEEL SPACER \_\_\_\_\_ mm

SUSPENSION SHIM (RF) \_\_\_\_\_ mm SUSPENSION SHIM (RR) \_\_\_\_\_ mm

SUSPENSION MOUNT (RF) \_\_\_\_\_ SUSPENSION MOUNT (RR) \_\_\_\_\_

AXLE TYPE / SIZE TWO-PIECE JOINT / SINGLE JOINT (STEEL/ALUMINUM) \_\_\_\_\_ mm



FRONT

SHOCK LENGTH \_\_\_\_\_ mm

PISTON 3 4 hole(s) / OTHERS \_\_\_\_\_

OIL \_\_\_\_\_

SPRING \_\_\_\_\_

OIL SEALER CAP S / MS / M / H \_\_\_\_\_

REBOUND \_\_\_\_\_ %

NOTES \_\_\_\_\_

MOTOR \_\_\_\_\_ SPUR \_\_\_\_\_ T \_\_\_\_\_

TIRE \_\_\_\_\_ TIRE INSERT \_\_\_\_\_ WHEEL \_\_\_\_\_

TIRE ADDICTIVE \_\_\_\_\_ BODY \_\_\_\_\_ REAR WING \_\_\_\_\_

ESC \_\_\_\_\_ BATTERY \_\_\_\_\_

REMARKS \_\_\_\_\_

REAR

SHOCK LENGTH \_\_\_\_\_ mm

PISTON 3 4 hole(s) / OTHERS \_\_\_\_\_

OIL \_\_\_\_\_

SPRING \_\_\_\_\_

OIL SEALER CAP S / MS / M / H \_\_\_\_\_

REBOUND \_\_\_\_\_ %

NOTES \_\_\_\_\_

PITCH \_\_\_\_\_ PINION \_\_\_\_\_ T \_\_\_\_\_

Chassis Flex Settin (Fill in the Circle)

