



DRIVER _____ DATE _____

TRACK NAME _____ RESULT _____

TRACK SURFACE carpet (INDOOR/OUTDOOR) BEST LAP _____

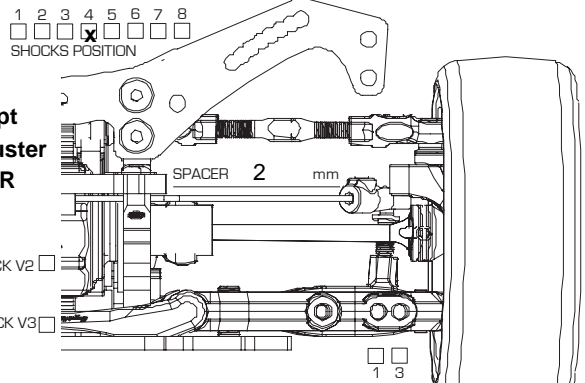
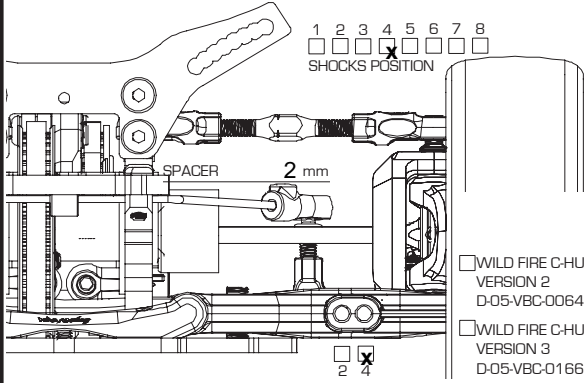
HUMIDITY _____ TRACK TEMP _____

GRIP CONDITION med HI MED LOW

1/10 4WD ELECTRIC COMPETITION TOURING CAR KIT



SETUP SHEET



Used red opt camber adjuster adjusters F/R

- SOFT
- WILD FIRE C-HUB SET VERSION 2 A-03-VBC-0064
- WILD FIRE C-HUB SET VERSION 3 D-05-VBC-0166
- HARD
- STEERING BLOCK V2 A-03-VBC-0079
- STEERING BLOCK V3 A-03-P30269

- SOFT
- FRONT SUSPENSION ARM A-03-VBC-0061
- V2 FRONT SUSPENSION ARM A-03-VBC-3027
- V3 FRONT SUSPENSION ARM A-03-P30267
- HARD
- REAR SUSPENSION ARM A-03-VBC-0062
- V2 REAR SUSPENSION ARM A-03-VBC-3028
- V3 REAR SUSPENSION ARM A-03-P30268

FRONT

GROUND CLEARANCE 5.1 mm DROOP 1.5

CAMBER ANGLE 1.5 ° TOE ANGLE .5 °

CASTER BLOCK 4 ° FRONT DRIVE DIFF (OIL spool / DIRECT)

STABILIZER 1.2 1.4 1.4 WHEEL SPACER .5 mm

SUSPENSION SHIM (FF) .7 mm SUSPENSION SHIM (FR) .7 mm

SUSPENSION MOUNT (FF) kit SUSPENSION MOUNT (FR) kit

AXLE TYPE / SIZE dcj TWO-PIECE JOINT / SINGLE JOINT (STEEL/ALUM) mm

REAR

GROUND CLEARANCE 5.25 mm DROOP 1.5

CAMBER ANGLE 2.5 ° TOE ANGLE approx 2.5 °

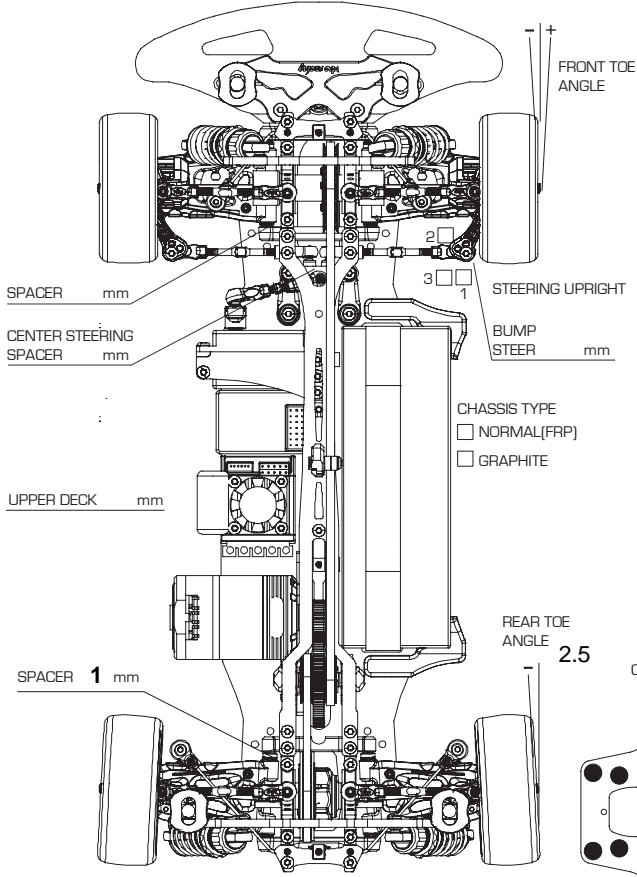
REAR DRIVE DIFF (OIL 3k) DRIVE CUP ALUMINUM / STEEL

STABILIZER 1.2 1.3 1.4 WHEEL SPACER mm

SUSPENSION SHIM (RF) 0 mm SUSPENSION SHIM (RR) 0 mm

SUSPENSION MOUNT (RF) kit SUSPENSION MOUNT (RR) TA05 block

AXLE TYPE / SIZE TWO-PIECE JOINT / SINGLE JOINT (STEEL/ALUMINUM) mm



FRONT

SHOCK LENGTH _____ mm

PISTON 3 4 hole(s) / OTHERS

OIL 400 cst

SPRING yok pink

OIL SEALER CAP S / M / M / H

REBOUND 0 %

NOTES _____

REAR

SHOCK LENGTH _____ mm

PISTON 4 hole(s) / OTHERS

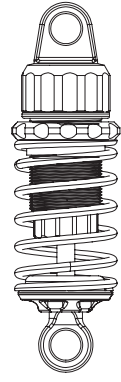
OIL 400 cst

SPRING yok blue

OIL SEALER CAP S / M / M / H

REBOUND 0 %

NOTES _____



MOTOR novak 25.5 SPUR PITCH/ T PINION PITCH/ T

TIRE rc gravity usgt TIRE INSERT WHEEL

TIRE ADDICTIVE BODY pf-10 REAR WING

ESC BATTERY

REMARKS used ta05 rear toe block for 2.5 toe. perfect fit-- got desperate

Chassis Flex Settin (Fill in the Circle)

