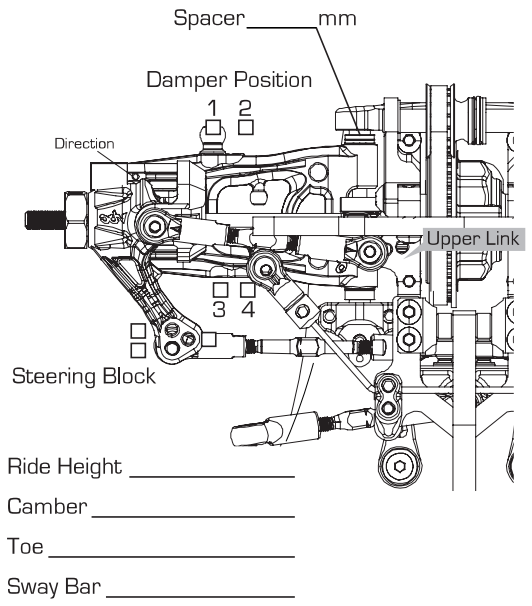
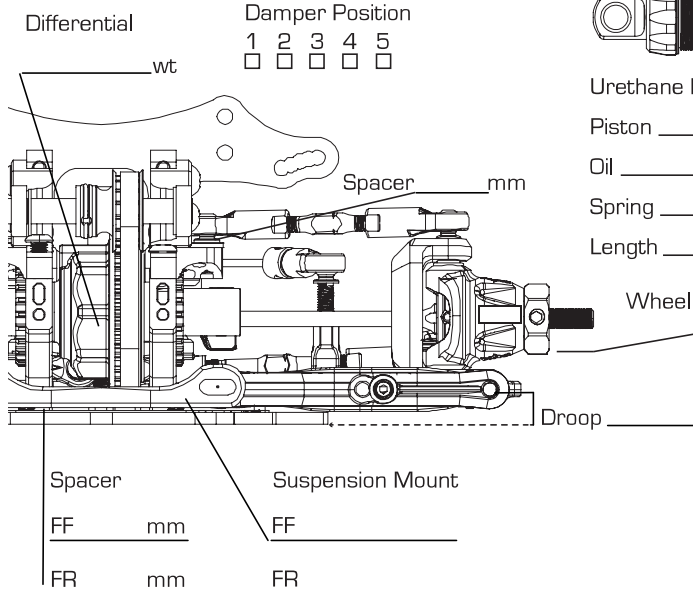




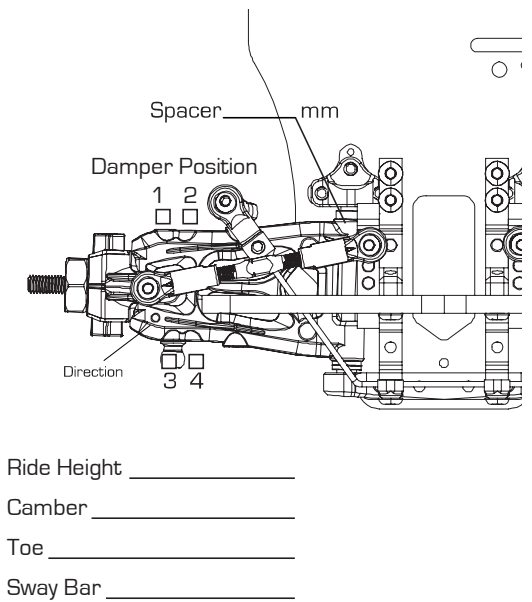
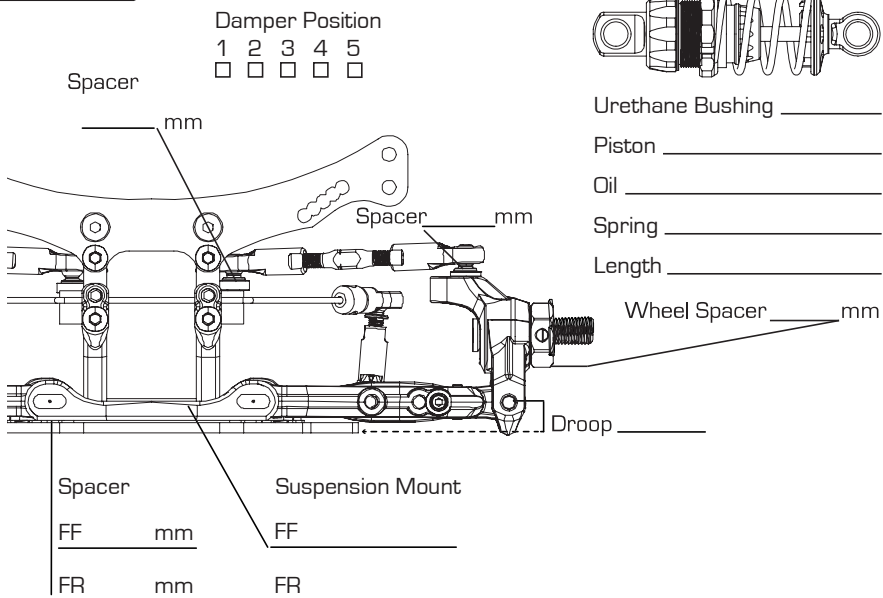
Setup Sheet

Front

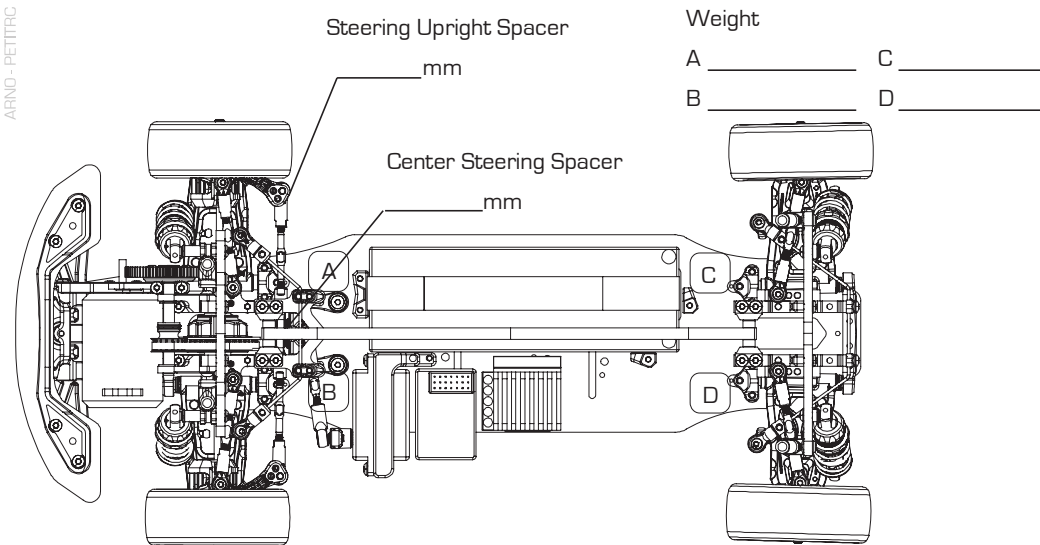
DRIVER _____	DATE _____	EVENT _____
TRACK _____	GRIP HIGH / MEDIUM / LOW _____	TRACK TEMP _____
COMPOSITION ASPHALT (INDOOR/OUTDOOR)/CARPET _____	SURFACE BUMPY/SMOOTH _____	LAYOUT OPEN/MIXED/TIGHT _____
RESULT _____	BEST LAP _____	



Rear



ARNOLD-PETITTC



Motor _____

Spur _____

Pinion _____

ESC _____

ESC Setup _____

Battery _____

Body _____

Wing _____

Tire _____ Additive _____

Insert _____ Time _____

Wheel _____ Warmer _____

Comments