



DESIGNED IN CO-OPERATION WITH WORLD CHAMPION SURIKARN CHAIDAJSURIIYA

# Setup Sheet



Ver 1.01

Driver : \_\_\_\_\_ Track : \_\_\_\_\_

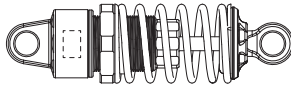
Date : \_\_\_\_\_ Condition : \_\_\_\_\_

Event : \_\_\_\_\_ Temp. : \_\_\_\_\_

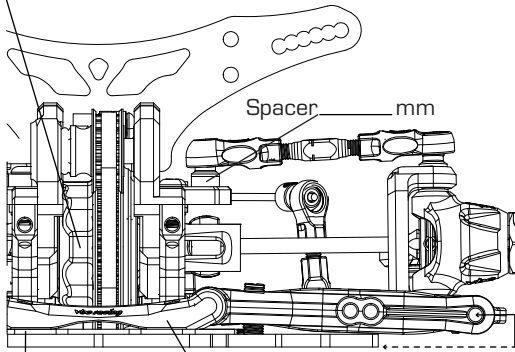
## Front

Differential \_\_\_\_\_ wt

Damper Position  
 1 2 3 4 5 6

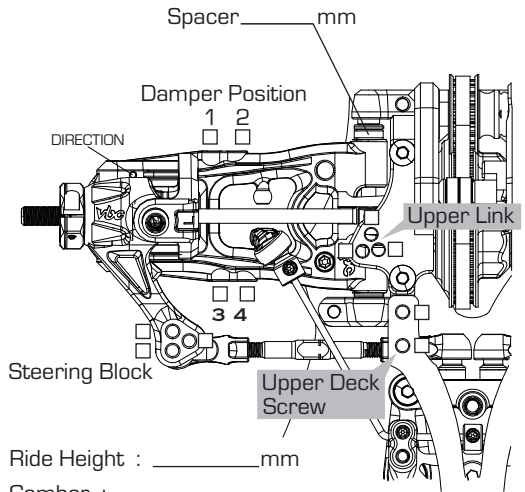


Urethane Bushing : \_\_\_\_\_  
 Piston : \_\_\_\_\_ holes  
 Damper Oil : \_\_\_\_\_ wt  
 Spring : \_\_\_\_\_  
 Length : \_\_\_\_\_ mm



Spacer \_\_\_\_\_ mm  
 Suspension Mount \_\_\_\_\_  
 FF \_\_\_\_\_ mm  
 FR \_\_\_\_\_ mm

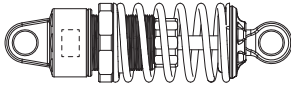
Wheel Spacer : \_\_\_\_\_ mm  
 Droop : \_\_\_\_\_ mm



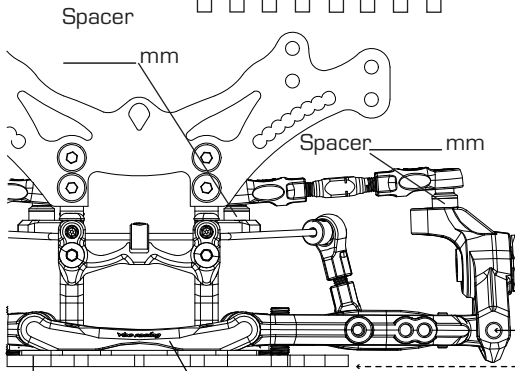
Ride Height : \_\_\_\_\_ mm  
 Camber : \_\_\_\_\_  
 Toe Angle : \_\_\_\_\_  
 Sway Bar :  1.2  1.4

## Rear

Damper Position  
 1 2 3 4 5 6 7 8

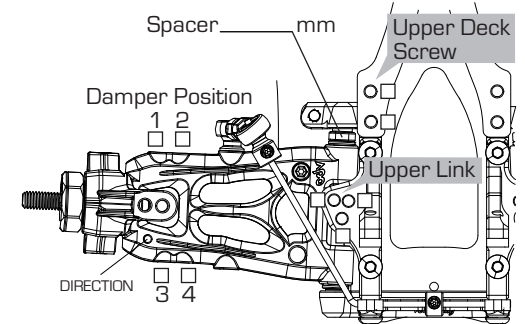


Urethane Bushing : \_\_\_\_\_  
 Piston : \_\_\_\_\_ holes  
 Damper Oil : \_\_\_\_\_ wt  
 Spring : \_\_\_\_\_  
 Length : \_\_\_\_\_ mm



Spacer \_\_\_\_\_ mm  
 Suspension Mount \_\_\_\_\_  
 FF \_\_\_\_\_ mm  
 FR \_\_\_\_\_ mm

Wheel Spacer : \_\_\_\_\_ mm  
 Droop : \_\_\_\_\_ mm

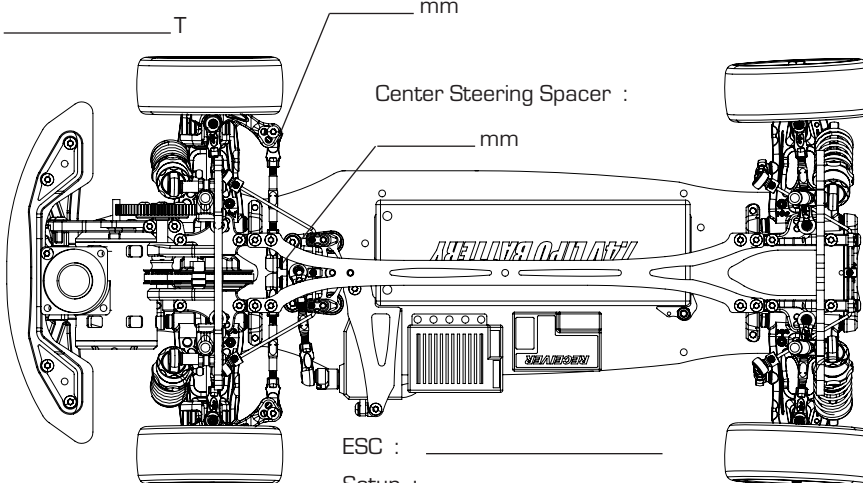


Ride Height : \_\_\_\_\_ mm  
 Camber : \_\_\_\_\_  
 Toe Angle : \_\_\_\_\_  
 Sway Bar :  1.2  1.4

Motor : \_\_\_\_\_  
 Spur Gear : \_\_\_\_\_ T  
 Pinon Gear : \_\_\_\_\_ T

Steering Upright Spacer : \_\_\_\_\_ mm

Body : \_\_\_\_\_  
 Wing : \_\_\_\_\_  
 Battery : \_\_\_\_\_



ESC : \_\_\_\_\_  
 Setup : \_\_\_\_\_

Tire : \_\_\_\_\_  
 Insert : \_\_\_\_\_  
 Wheel : \_\_\_\_\_  
 Additive : \_\_\_\_\_  
 Remarks : \_\_\_\_\_