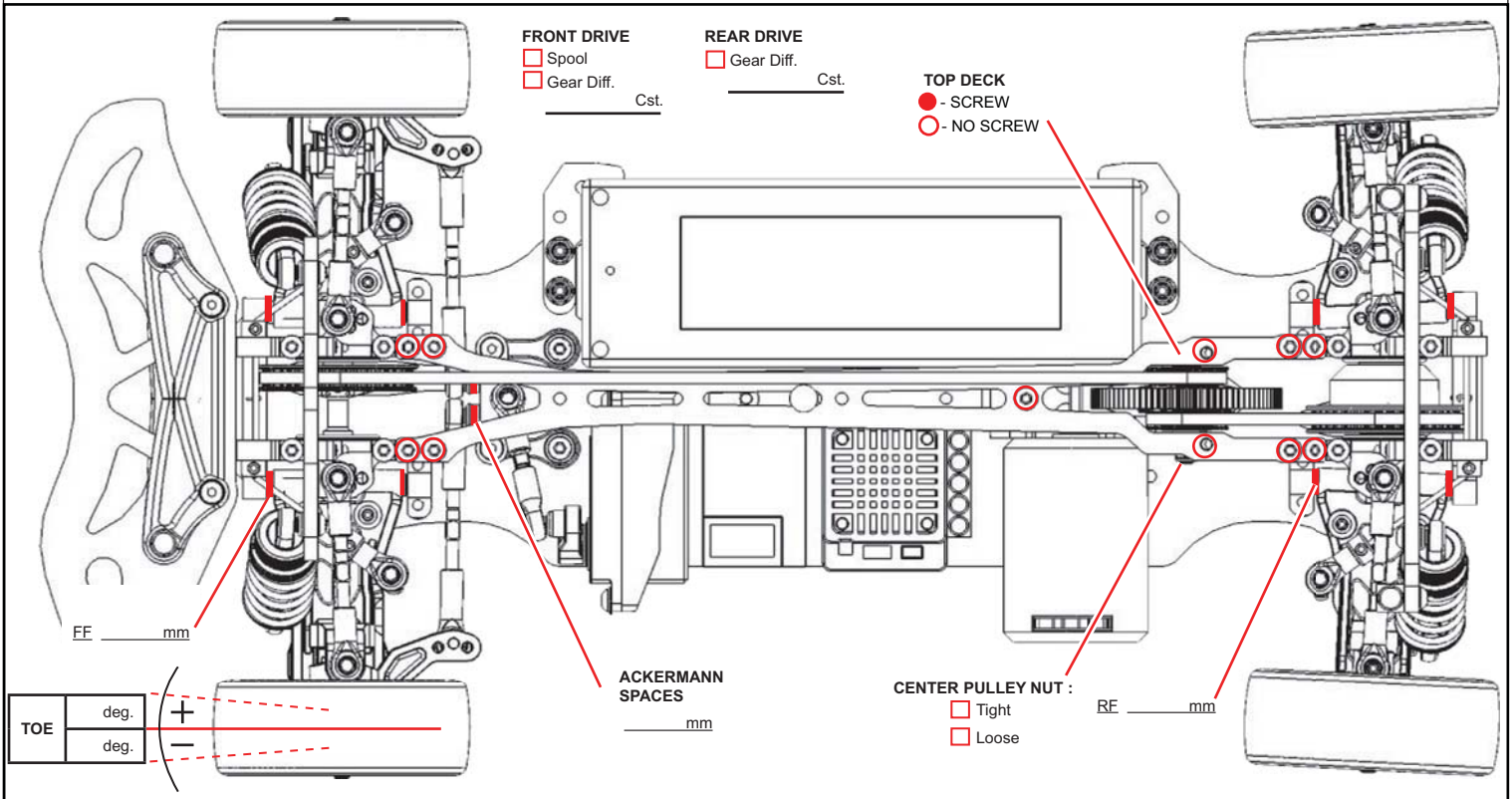




Name: _____ Date: _____ Air Temp: _____
 Track: _____ Country: _____ Track Temp: _____
 Track Condition: _____
 Qualify: _____ Main: _____ Finish: _____ Fastest lap: _____

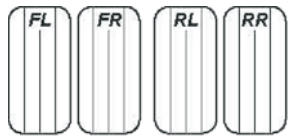


| FRONT MEASUREMENTS | | FRONT SHOCKS | |
|--------------------|-----|--------------|---|
| RIDE HEIGHT | mm | OIL WEIGHT | wt / cst |
| CAMBER ANGLE | deg | PISTON | <input type="checkbox"/> Opt. <input type="checkbox"/> 1.0mm <input type="checkbox"/> 2hole |
| ROLL BAR | mm | | <input type="checkbox"/> Std. <input type="checkbox"/> 1.2mm <input type="checkbox"/> 3hole |
| DOG BONE | | BLADDER | |
| NOTES: | | SPRING | |
| | | REBOUND | % |

| REAR MEASUREMENTS | | REAR SHOCKS | |
|-------------------|-----|-------------|---|
| RIDE HEIGHT | mm | OIL WEIGHT | wt / cst |
| CAMBER ANGLE | deg | PISTON | <input type="checkbox"/> Opt. <input type="checkbox"/> 1.0mm <input type="checkbox"/> 2hole |
| ROLL BAR | mm | | <input type="checkbox"/> Std. <input type="checkbox"/> 1.2mm <input type="checkbox"/> 3hole |
| DOG BONE | | BLADDER | |
| NOTES: | | SPRING | |
| | | REBOUND | % |

| | |
|-------------|--|
| MOTOR | |
| PINION GEAR | |
| SPUR GEAR | |
| BATTERY | |
| BODY SHELLS | |
| WING | |
| ESC SETTING | |

| | FRONT | REAR |
|----------------|-------|------|
| BRAND | | |
| COMPOUND | | |
| INSERT | | |
| WHEEL | | |
| TIRE TREATMENT | | |



NOTES:

