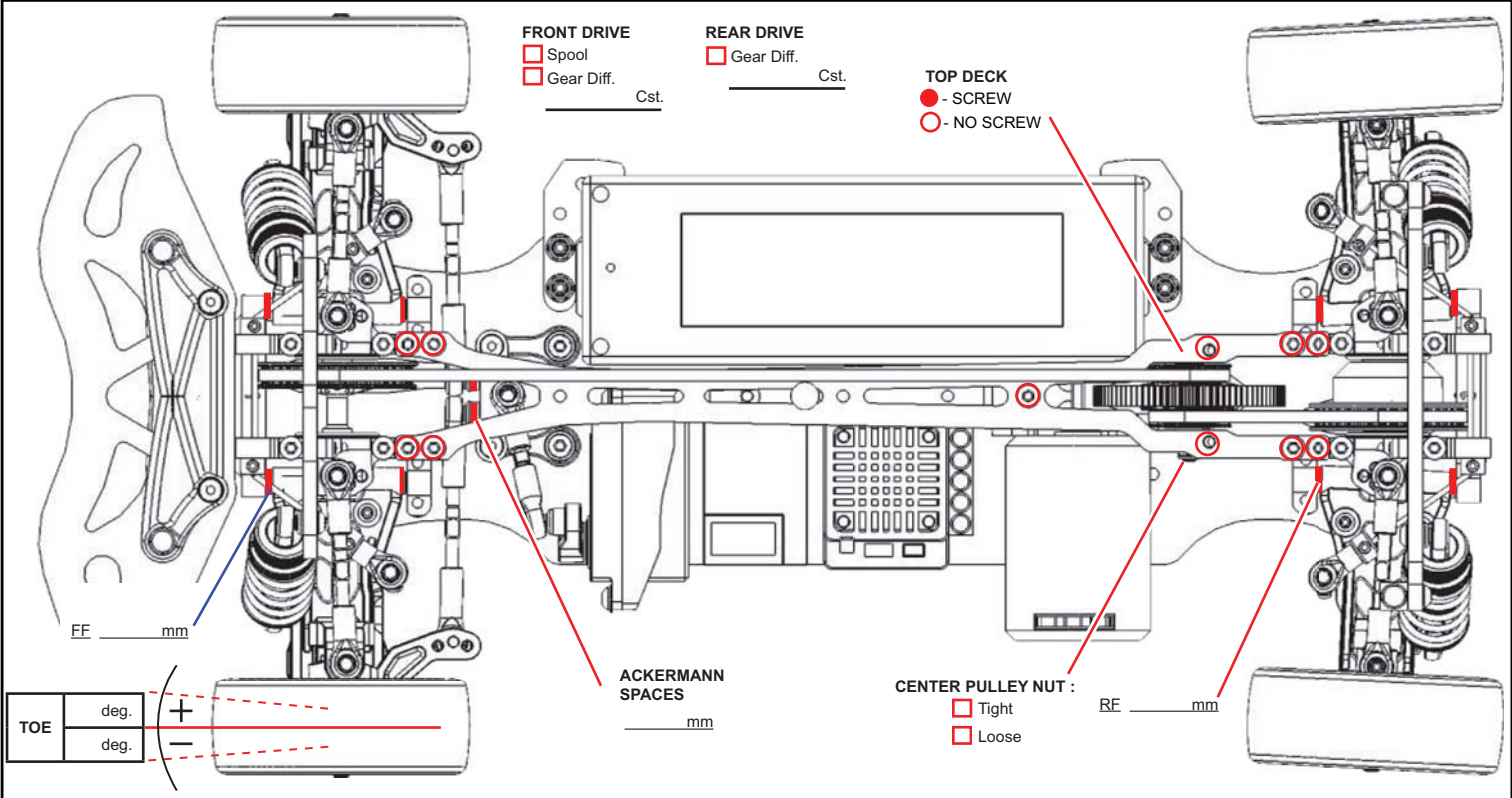




Arn0

Name: \_\_\_\_\_ Date: \_\_\_\_\_ Air Temp: \_\_\_\_\_  
 Track: \_\_\_\_\_ Country: \_\_\_\_\_ Track Temp: \_\_\_\_\_  
 Track Condition: \_\_\_\_\_  
 Qualify: \_\_\_\_\_ Main: \_\_\_\_\_ Finish: \_\_\_\_\_ Fastest lap: \_\_\_\_\_

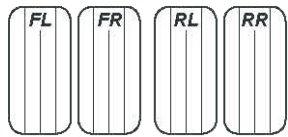


| FRONT MEASUREMENTS |     | FRONT SHOCKS |   |
|--------------------|-----|--------------|---|
| RIDE HEIGHT        | mm  | OIL WEIGHT   | wt / cst  |
| CAMBER ANGLE       | deg | PISTON       | <input type="checkbox"/> Opt. <input type="checkbox"/> 1.0mm <input type="checkbox"/> 2hole |
| ROLL BAR           | mm  |              | <input type="checkbox"/> Std. <input type="checkbox"/> 1.2mm <input type="checkbox"/> 3hole |
| DOG BONE           |     | BLADDER      |   |
| NOTES:             |     | SPRING       |   |
|                    |     | REBOUND      | %   |

| REAR MEASUREMENTS |     | REAR SHOCKS |   |
|-------------------|-----|-------------|---|
| RIDE HEIGHT       | mm  | OIL WEIGHT  | wt / cst  |
| CAMBER ANGLE      | deg | PISTON      | <input type="checkbox"/> Opt. <input type="checkbox"/> 1.0mm <input type="checkbox"/> 2hole |
| ROLL BAR          | mm  |             | <input type="checkbox"/> Std. <input type="checkbox"/> 1.2mm <input type="checkbox"/> 3hole |
| DOG BONE          |     | BLADDER     |   |
| NOTES:            |     | SPRING      |   |
|                   |     | REBOUND     | %   |

|             |  |
|-------------|--|
| MOTOR       |  |
| PINION GEAR |  |
| SPUR GEAR   |  |
| BATTERY     |  |
| BODY SHELLS |  |
| WING        |  |
| ESC SETTING |  |

|                | FRONT | REAR |
|----------------|-------|------|
| BRAND          |       |      |
| COMPOUND       |       |      |
| INSERT         |       |      |
| WHEEL          |       |      |
| TIRE TREATMENT |       |      |



**NOTES:**

