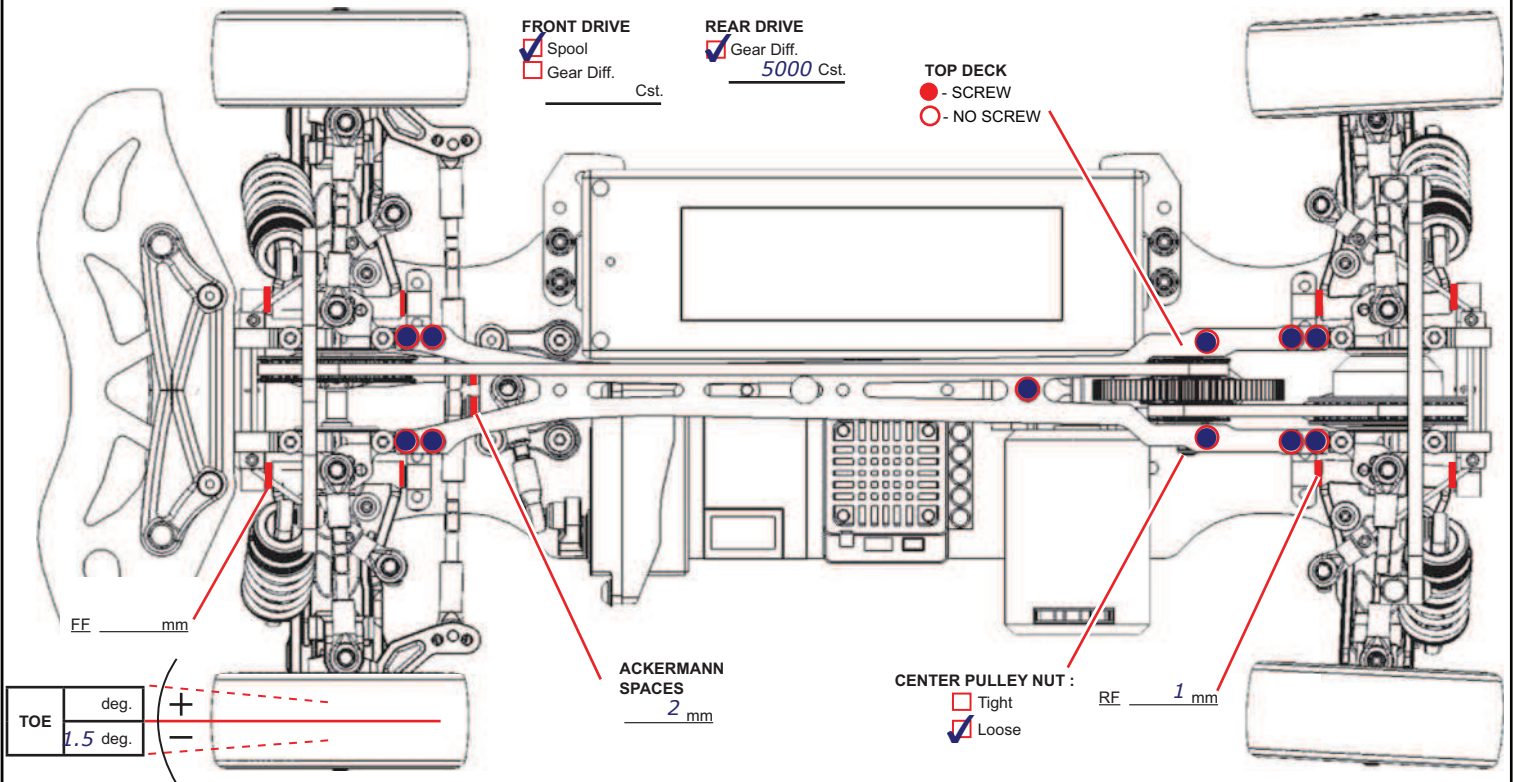




Name: Alex Ilievski Date: 27-07-2014 Air Temp: \_\_\_\_\_  
 Track: Adrenaline Arena - AOC Country: Australia Track Temp: \_\_\_\_\_  
 Track Condition: Tight - High Grip  
 Qualify: \_\_\_\_\_ Main: \_\_\_\_\_ Finish: \_\_\_\_\_ Fastest lap: \_\_\_\_\_

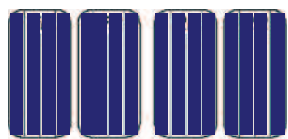


FRONT MEASUREMENTS		FRONT SHOCKS	
RIDE HEIGHT	4.8 mm	OIL WEIGHT	400 wt / cst
CAMBER ANGLE	2 deg	PISTON	<input type="checkbox"/> Opt. <input type="checkbox"/> 1.0mm <input type="checkbox"/> 2hole
ROLL BAR	Kit mm		<input checked="" type="checkbox"/> Std. <input checked="" type="checkbox"/> 1.2mm <input checked="" type="checkbox"/> 3hole
DOG BONE	DCJ	BLADDER	Kit
NOTES:		SPRING	HPI Silver
		REBOUND	10 %

REAR MEASUREMENTS		REAR SHOCKS	
RIDE HEIGHT	5 mm	OIL WEIGHT	400 wt / cst
CAMBER ANGLE	2 deg	PISTON	<input type="checkbox"/> Opt. <input type="checkbox"/> 1.0mm <input type="checkbox"/> 2hole
ROLL BAR	Kit mm		<input checked="" type="checkbox"/> Std. <input checked="" type="checkbox"/> 1.2mm <input checked="" type="checkbox"/> 3hole
DOG BONE		BLADDER	Kit
NOTES:		SPRING	HPI Silver
		REBOUND	10 %

MOTOR	Trinity Duo 3
PINION GEAR	
SPUR GEAR	
BATTERY	
BODY SHELLS	LTC-R
WING	Ride HD
ESC SETTING	

	FRONT	REAR
BRAND	Solaris	
COMPOUND		
INSERT		
WHEEL		
TIRE TREATMENT	MG2	



**NOTES:**  
 Soft top deck used

