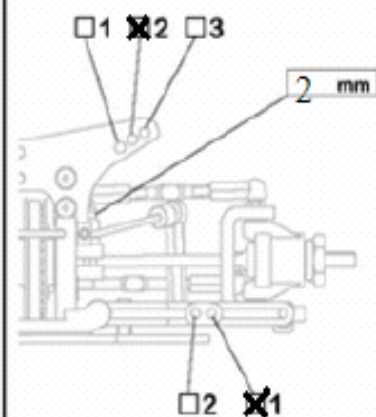


"Scythe" Setup Sheet for _____

Name Ali Graham Date 25/2/07 Humidity _____ % Air Temp. _____ °C
 Track Carpet Thrashnal RD8 Track Condition bad 1 2 3 4 5 good Track Temp. _____ °C

Front Suspension



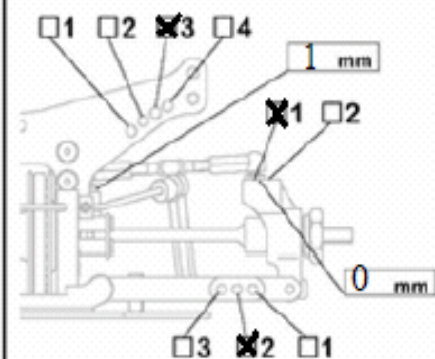
Camber Angle 1.5 °
 Castor 4 °
 Ride Height 5.5 mm
 Droop 6 mm
 FR. Drive One-way
 Stabilizer Bar ϕ none
 Stick out _____ mm
 Toe Angle 0 °
 Notes 2mm chassis

Sus. Mount F 1.5 R 0 Sus. Mount Spacer F 1.5 mm R 1.5 mm

Shock Absorber

	Front	rear
Piston & Holes	3x1mm	3x1mm
Oil	#550	#550
Spring	HPI Gold	HPI Silver
Diaphragm	PS-0903	PS-0903
Form	None	None
Other	100% Rebound	

Rear Suspension



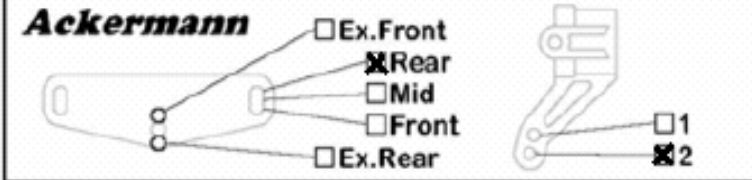
Camber Angle 1.5 °
 Ride Height 5.5 mm
 Droop 5 mm
 Stabilizer Bar ϕ none
 Stick out _____ mm
 Upright Spacer F 2 mm R 1 mm
 Notes 2mm chassis

Sus. Mount F 0 R 3 Sus. Mount Spacer F 1.5 mm R 1.5 mm

Tire

	Front	rear
Brand	CS 22	CS 22
Insert	Pre Glued	
Wheel	Pre Glued	
Additive	DigiGrip	
Spreaded Area		

Ackermann



Radio

Transmitter _____
 Receiver _____
 Servo _____
 ESC _____

Power Source

Motor Team Almighty Battery Team Almighty
 Rotor 19
 Brush Meteor
 Spring _____
 Timing N/A

Gear Ratio

Spur _____
 Pinion \div _____
 2nd Reduction \times 2.200
 Over All Ratio _____

Body

PF Mazda 6
 Wing Std