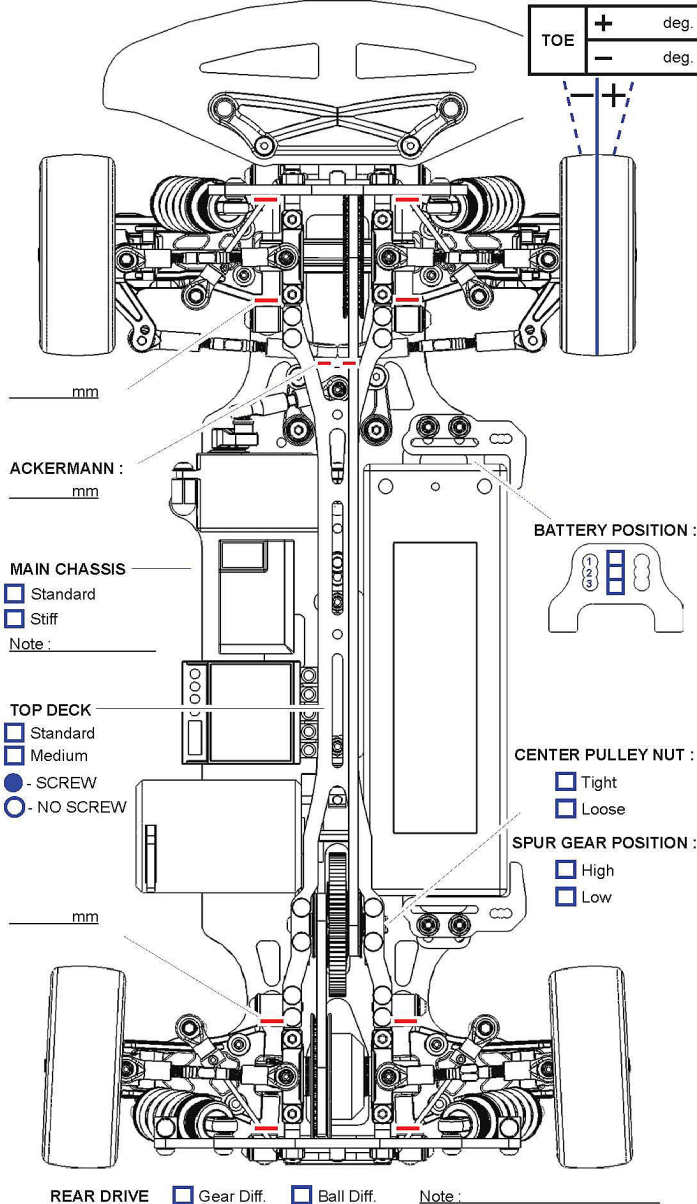


# セッティング記録 / SETUP RECORD

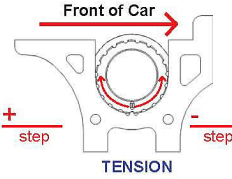


Name: \_\_\_\_\_ Date: \_\_\_\_\_ Air Temp: \_\_\_\_\_  
 Track: \_\_\_\_\_ Country: \_\_\_\_\_ Track Temp: \_\_\_\_\_  
 Track Condition: \_\_\_\_\_  
 Qualify: \_\_\_\_\_ Main: \_\_\_\_\_ Finish: \_\_\_\_\_ Fastest lap: \_\_\_\_\_

FRONT DRIVE  Spool  Gear Diff.  Ball Diff.  One-Way Note: \_\_\_\_\_

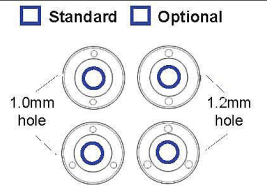


## FRONT MEASUREMENTS



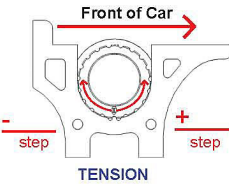
RIDE HEIGHT	mm
CAMBER ANGLE	deg
DOG BONE	mm
WHEEL HUBS	mm
WHEEL SPACER	mm

## FRONT SHOCKS



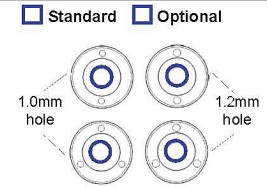
OIL WEIGHT	wt
BLADDER	
SPRING	
NOTE	

## REAR MEASUREMENTS



RIDE HEIGHT	mm
CAMBER ANGLE	deg
DOG BONE	mm
WHEEL HUBS	mm
WHEEL SPACER	mm

## REAR SHOCKS



OIL WEIGHT	wt
BLADDER	
SPRING	
NOTE	

MOTOR			FRONT	REAR
SPUR GEAR		BRAND		
PINION GEAR		COMPOUND		
BATTERY		INSERT		
BODY SHELLS		WHEEL		
WING		TIRE TREATMENT		
ESC SETTING				

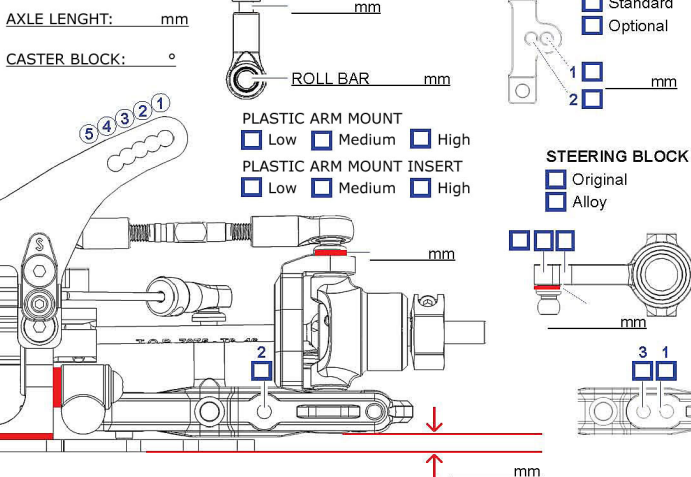
FL

FR

RL

RR

## FRONT



## REAR

