

セッティング記録 / SETUP RECORD

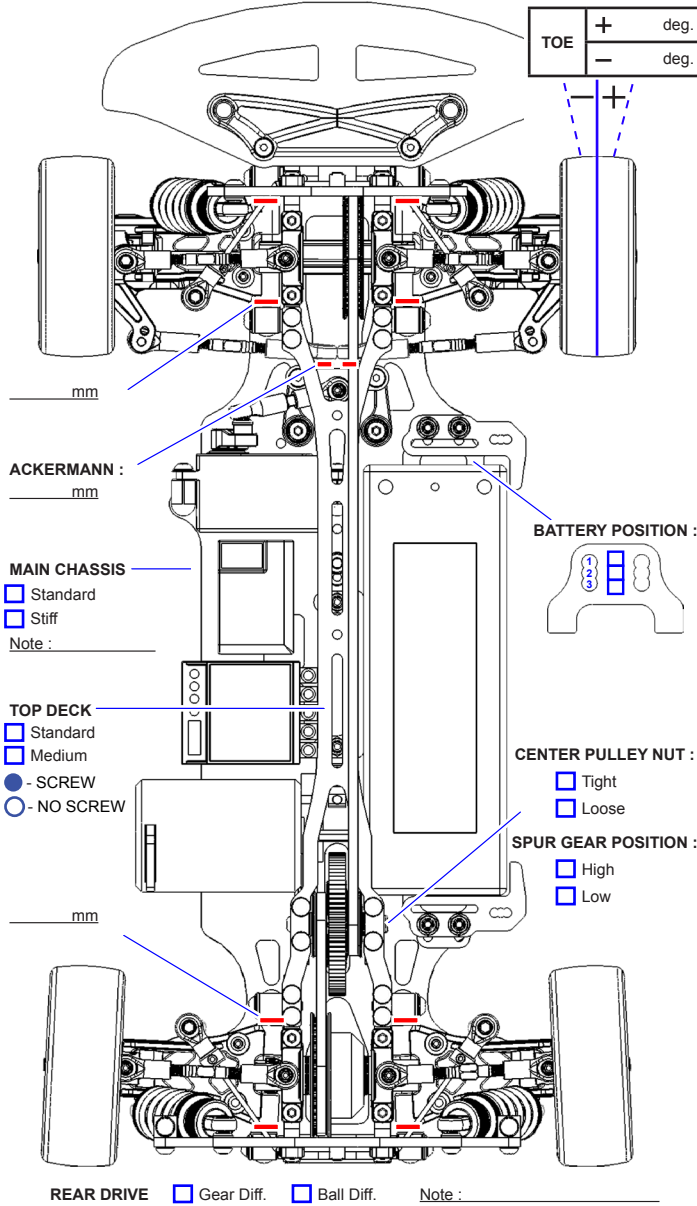


名前: _____
 Name: _____
 国籍: _____
 Country: _____

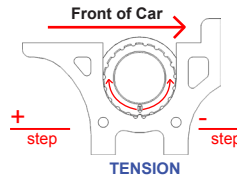
日付: _____
 Date: _____
 条件: _____
 Condition: _____

トラック: _____
 Track: _____
 温度: _____
 Temperature: _____

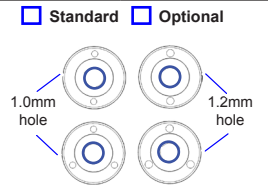
FRONT DRIVE Spool Gear Diff. Ball Diff. One-Way Note: _____



FRONT MEASUREMENTS

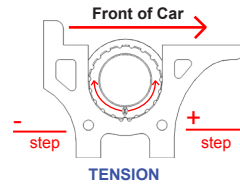


FRONT SHOCKS

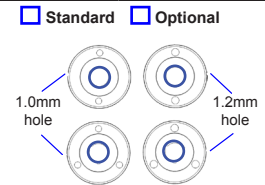


| | | | |
|--------------|-----|------------|----|
| RIDE HEIGHT | mm | OIL WEIGHT | wt |
| CAMBER ANGLE | deg | BLADDER | |
| DOG BONE | mm | SPRING | |
| WHEEL HUBS | mm | NOTE | |
| WHEEL SPACER | mm | | |

REAR MEASUREMENTS



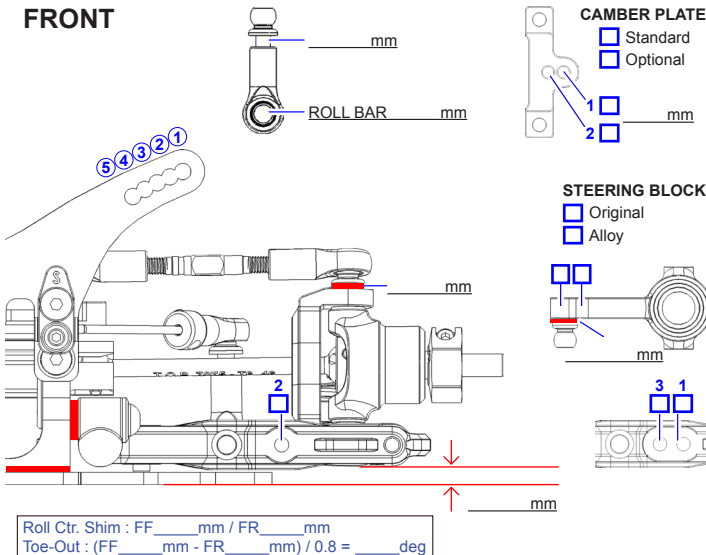
REAR SHOCKS



| | | | |
|--------------|-----|------------|----|
| RIDE HEIGHT | mm | OIL WEIGHT | wt |
| CAMBER ANGLE | deg | BLADDER | |
| DOG BONE | mm | SPRING | |
| WHEEL HUBS | mm | NOTE | |
| WHEEL SPACER | mm | | |

| | | | |
|-------------|----------------|-------|------|
| MOTOR | | FRONT | REAR |
| SPUR GEAR | BRAND | | |
| PINION GEAR | COMPOUND | | |
| BATTERY | INSERT | | |
| BODY SHELLS | WHEEL | | |
| WING | TIRE TREATMENT | | |
| ESC SETTING | | FL | FR |
| | | RL | RR |

FRONT



REAR

