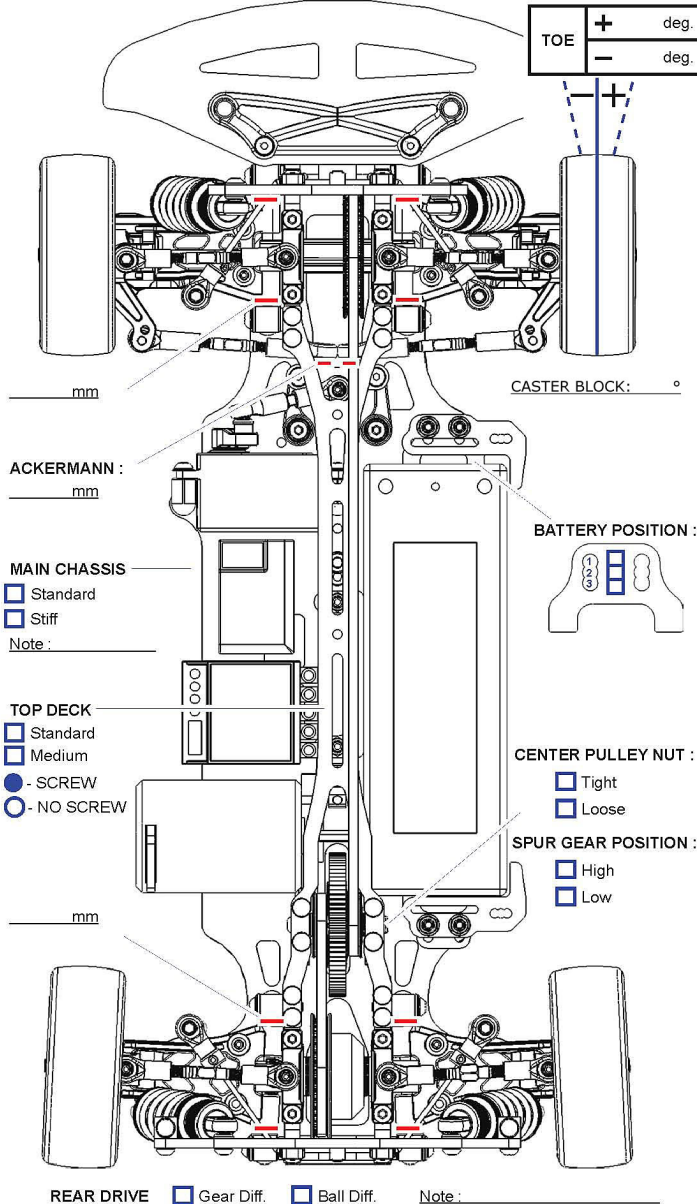


# セッティング記録 / SETUP RECORD

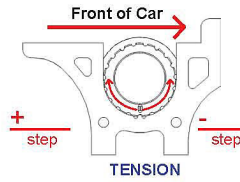


Name: \_\_\_\_\_ Date: \_\_\_\_\_ Air Temp: \_\_\_\_\_  
 Track: \_\_\_\_\_ Country: \_\_\_\_\_ Track Temp: \_\_\_\_\_  
 Track Condition: \_\_\_\_\_  
 Qualify: \_\_\_\_\_ Main: \_\_\_\_\_ Finish: \_\_\_\_\_ Fastest lap: \_\_\_\_\_

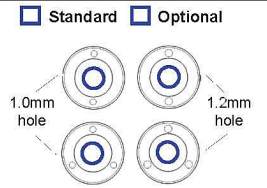
FRONT DRIVE  Spool  Gear Diff.  Ball Diff.  One-Way Note: \_\_\_\_\_



## FRONT MEASUREMENTS

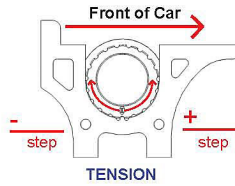


## FRONT SHOCKS

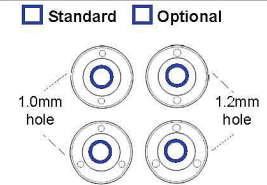


|              |     |            |    |
|--------------|-----|------------|----|
| RIDE HEIGHT  | mm  | OIL WEIGHT | wt |
| CAMBER ANGLE | deg | BLADDER    |    |
| DOG BONE     | mm  | SPRING     |    |
| WHEEL HUBS   | mm  | NOTE       |    |
| WHEEL SPACER | mm  |            |    |

## REAR MEASUREMENTS



## REAR SHOCKS



|              |     |            |    |
|--------------|-----|------------|----|
| RIDE HEIGHT  | mm  | OIL WEIGHT | wt |
| CAMBER ANGLE | deg | BLADDER    |    |
| DOG BONE     | mm  | SPRING     |    |
| WHEEL HUBS   | mm  | NOTE       |    |
| WHEEL SPACER | mm  |            |    |

|             |  |                |       |      |
|-------------|--|----------------|-------|------|
| MOTOR       |  |                | FRONT | REAR |
| SPUR GEAR   |  | BRAND          |       |      |
| PINION GEAR |  | COMPOUND       |       |      |
| BATTERY     |  | INSERT         |       |      |
| BODY SHELLS |  | WHEEL          |       |      |
| WING        |  | TIRE TREATMENT |       |      |
| ESC SETTING |  |                |       |      |

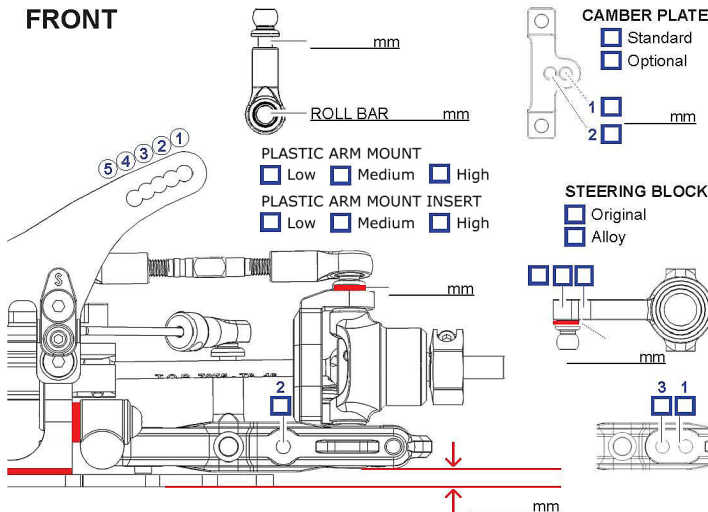
FL

FR

RL

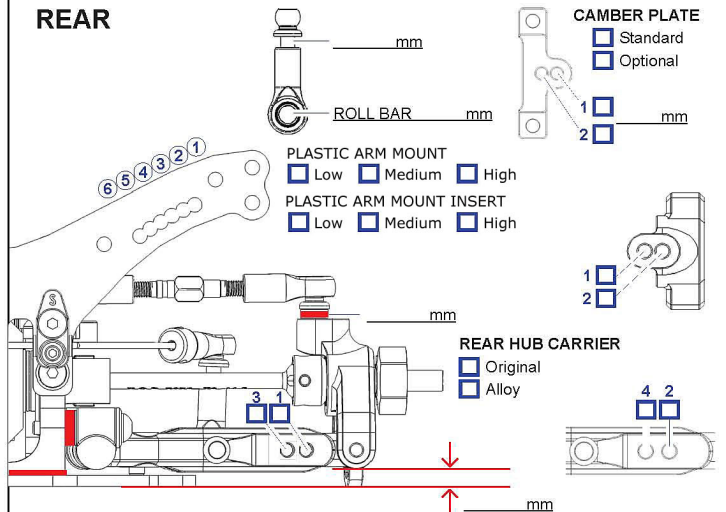
RR

## FRONT



Roll Ctr. Shim: FF \_\_\_\_\_ mm / FR \_\_\_\_\_ mm  
 Toe-Out: (FF \_\_\_\_\_ mm - FR \_\_\_\_\_ mm) / 0.8 = \_\_\_\_\_ deg

## REAR



Roll Ctr. Shim: RR \_\_\_\_\_ mm / RF \_\_\_\_\_ mm  
 Toe-In: (RR \_\_\_\_\_ mm - RF \_\_\_\_\_ mm) / 0.8 = \_\_\_\_\_ deg