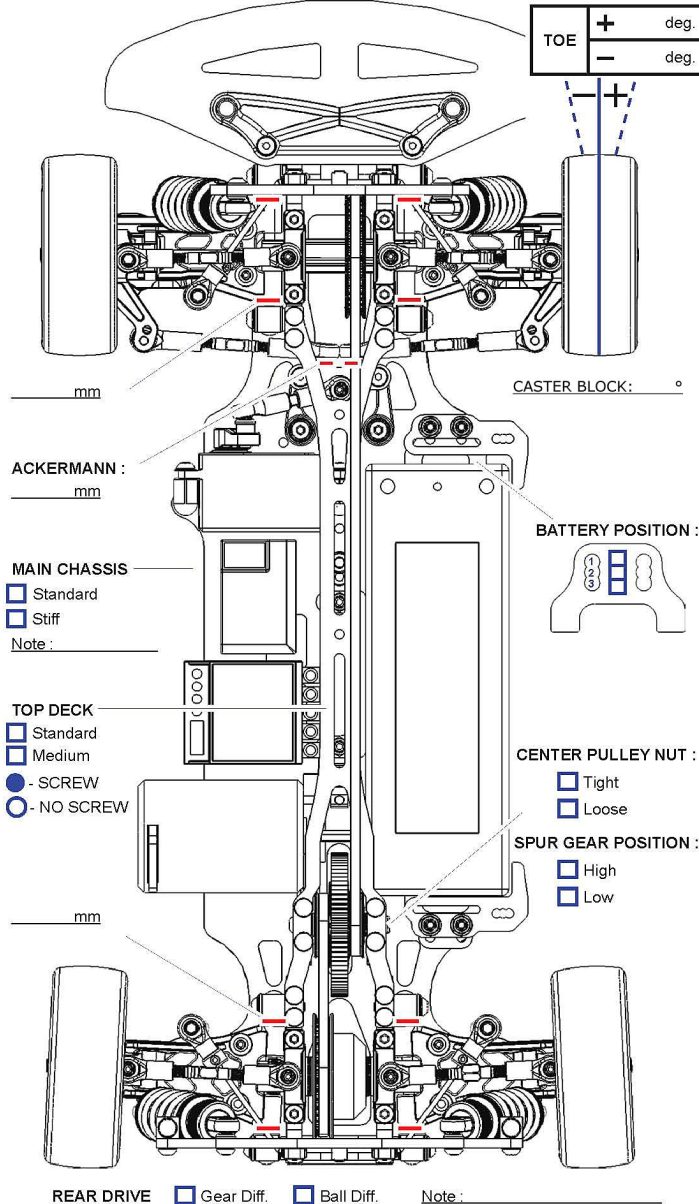


# セッティング記録 / SETUP RECORD

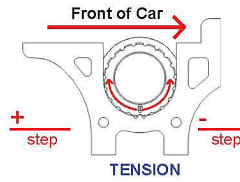


Name: \_\_\_\_\_ Date: \_\_\_\_\_ Air Temp: \_\_\_\_\_  
 Track: \_\_\_\_\_ Country: \_\_\_\_\_ Track Temp: \_\_\_\_\_  
 Track Condition: \_\_\_\_\_  
 Qualify: \_\_\_\_\_ Main: \_\_\_\_\_ Finish: \_\_\_\_\_ Fastest lap: \_\_\_\_\_

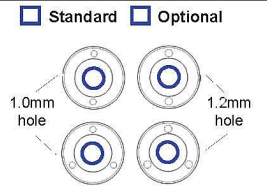
FRONT DRIVE  Spool  Gear Diff.  Ball Diff.  One-Way Note: \_\_\_\_\_



## FRONT MEASUREMENTS

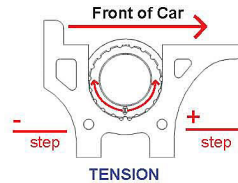


## FRONT SHOCKS

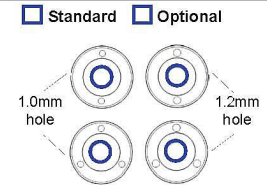


RIDE HEIGHT	mm	OIL WEIGHT	wt
CAMBER ANGLE	deg	BLADDER	
DOG BONE	mm	SPRING	
WHEEL HUBS	mm	NOTE	
WHEEL SPACER	mm		

## REAR MEASUREMENTS



## REAR SHOCKS



RIDE HEIGHT	mm	OIL WEIGHT	wt
CAMBER ANGLE	deg	BLADDER	
DOG BONE	mm	SPRING	
WHEEL HUBS	mm	NOTE	
WHEEL SPACER	mm		

MOTOR			FRONT	REAR
SPUR GEAR		BRAND		
PINION GEAR		COMPOUND		
BATTERY		INSERT		
BODY SHELLS		WHEEL		
WING		TIRE TREATMENT		
ESC SETTING				

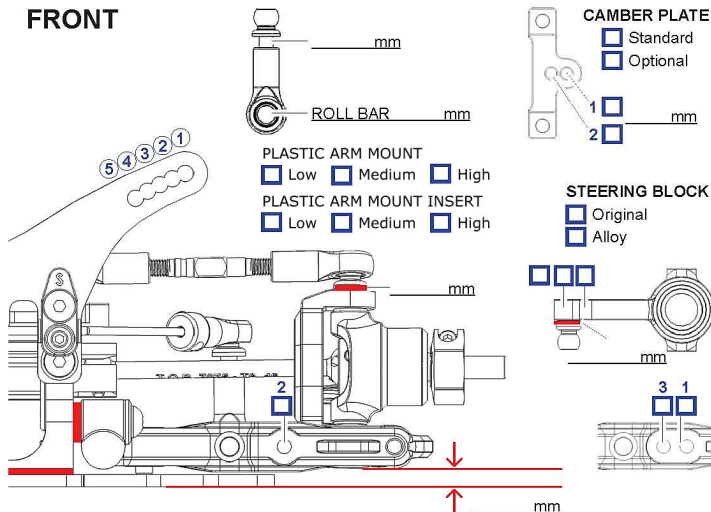
FL

FR

RL

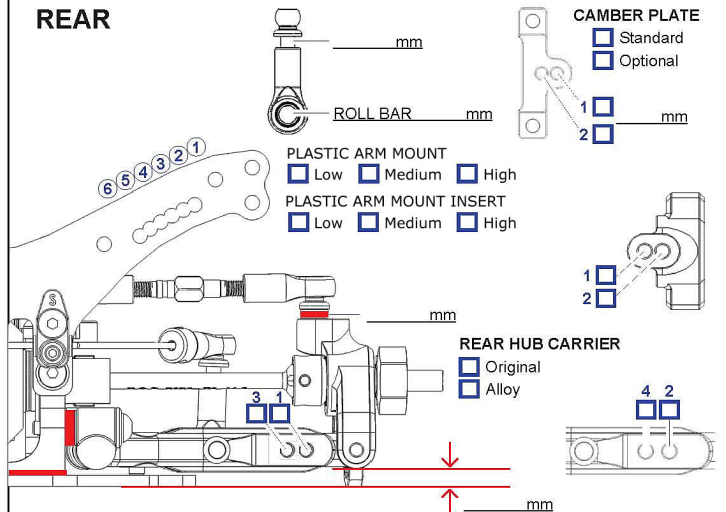
RR

## FRONT



Roll Ctr. Shim: FF \_\_\_\_\_ mm / FR \_\_\_\_\_ mm  
 Toe-Out: (FF \_\_\_\_\_ mm - FR \_\_\_\_\_ mm) / 0.8 = \_\_\_\_\_ deg

## REAR



Roll Ctr. Shim: RR \_\_\_\_\_ mm / RF \_\_\_\_\_ mm  
 Toe-In: (RR \_\_\_\_\_ mm - RF \_\_\_\_\_ mm) / 0.8 = \_\_\_\_\_ deg