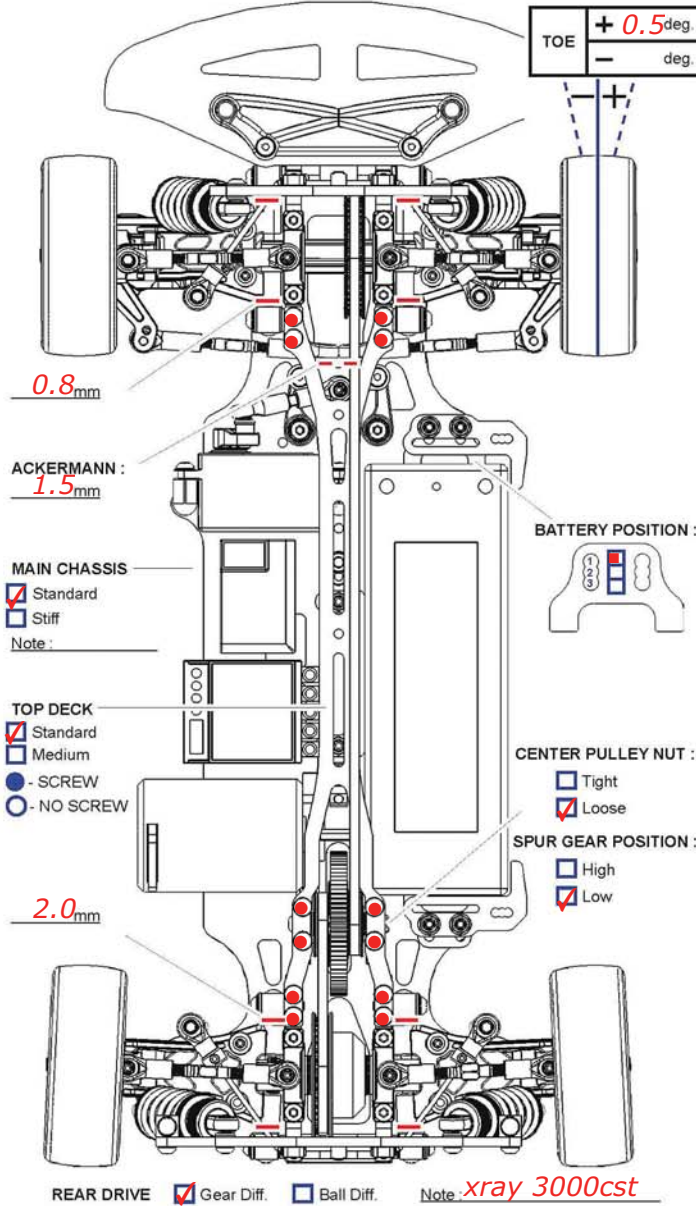


# セッティング記録 / SETUP RECORD

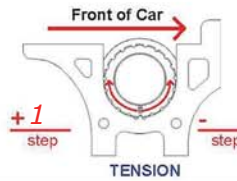


Name: Mitropoulos Dimitris Date: 24/09/2012 Air Temp: 27°C  
 Track: FRT Country: Greece Track Temp: 30°C  
 Track Condition: medium grip - practice day Saturday 22/9/2012  
 Qualify: - Main: - Finish: - Fastest lap: 16.900

FRONT DRIVE  Spool  Gear Diff.  Ball Diff.  One-Way Note: std

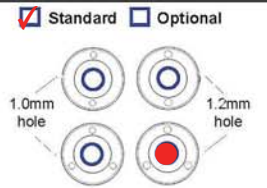


## FRONT MEASUREMENTS

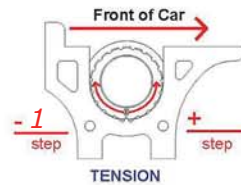


RIDE HEIGHT	<u>5.4</u> mm	OIL WEIGHT	<u>550</u> wt.
CAMBER ANGLE	<u>1.5</u> deg	BLADDER	<u>std</u>
DOG BONE	<u>46</u> mm	SPRING	<u>top 367</u>
WHEEL HUBS	<u>5</u> mm	NOTE	<u>MM oil, full rebound</u>
WHEEL SPACER	<u>0</u> mm		

## FRONT SHOCKS

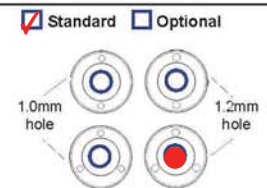


## REAR MEASUREMENTS



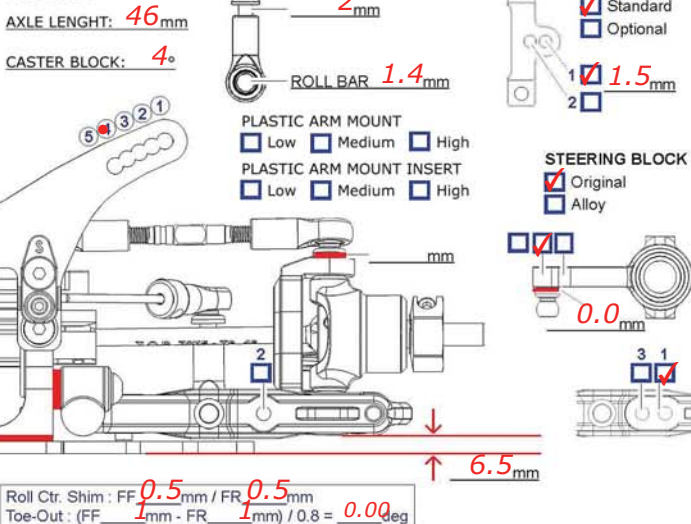
RIDE HEIGHT	<u>5.8</u> mm	OIL WEIGHT	<u>550</u> wt.
CAMBER ANGLE	<u>2.0</u> deg	BLADDER	<u>std</u>
DOG BONE	<u>44.5</u> mm	SPRING	<u>top 306</u>
WHEEL HUBS	<u>5</u> mm	NOTE	<u>MM oil, full rebound</u>
WHEEL SPACER	<u>0</u> mm		

## REAR SHOCKS



MOTOR	<u>nosram pure 2 5.5T</u>	FRONT	REAR
SPUR GEAR	<u>116</u>	BRAND	<u>sweep</u>
PINION GEAR	<u>34 6.823</u>	COMPOUND	<u>36R</u>
BATTERY	<u>nosram 6200</u>	INSERT	<u>yellow</u>
BODY SHELLS	<u>pf mazdaspeed lw</u>	WHEEL	<u>exp</u>
WING	<u>pf std lw</u>	TIRE TREATMENT	<u>sweep</u>
ESC SETTING			

## FRONT



## REAR

