



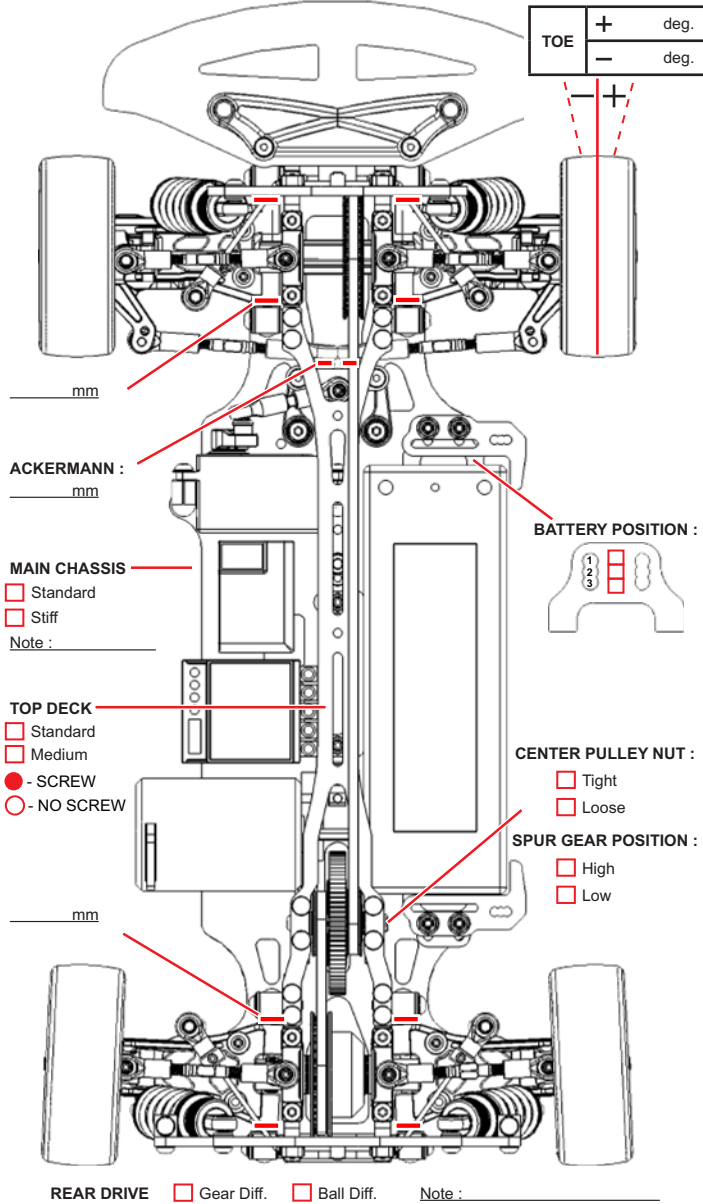
Name: _____ Date: _____ Air Temp: _____

Track: _____ Country: _____ Track Temp: _____

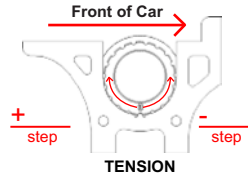
Track Condition: _____

Qualify: _____ Main: _____ Finish: _____ Fastest lap: _____

FRONT DRIVE Spool Gear Diff. Ball Diff. One-Way Note: _____

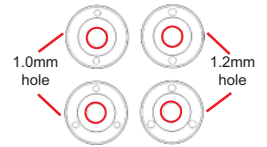


FRONT MEASUREMENTS



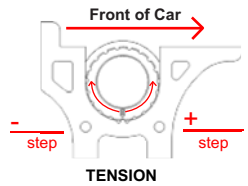
FRONT SHOCKS

Standard Optional



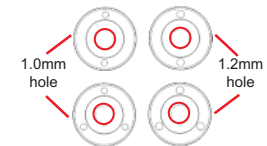
RIDE HEIGHT	mm	OIL WEIGHT	wt / cst
CAMBER ANGLE	deg	BLADDER	
DOG BONE	mm	SPRING	
WHEEL HUBS	mm		
WHEEL SPACER	mm		

REAR MEASUREMENTS



REAR SHOCKS

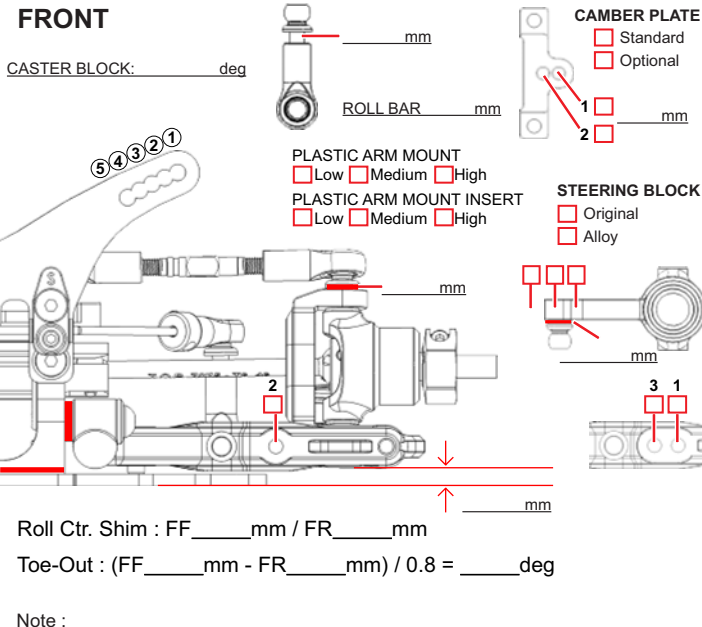
Standard Optional



RIDE HEIGHT	mm	OIL WEIGHT	wt / cst
CAMBER ANGLE	deg	BLADDER	
DOG BONE	mm	SPRING	
WHEEL HUBS	mm		
WHEEL SPACER	mm		

MOTOR		FRONT	REAR
SPUR GEAR	BRAND		
PINION GEAR	COMPOUND		
BATTERY	INSERT		
BODY SHELLS	WHEEL		
WING	TIRE TREATMENT		
ESC SETTING			

FRONT



REAR

