

TRACK CONDITIONS			
Type :	<input type="checkbox"/> Carpet	<input type="checkbox"/> Asphalt	Size: <input type="checkbox"/> Open <input type="checkbox"/> Med. <input type="checkbox"/> Tight
Place :	<input type="checkbox"/> Indoor	<input type="checkbox"/> Outdoor	Traction: <input type="checkbox"/> High <input type="checkbox"/> Med. <input type="checkbox"/> Low
Surface:	<input type="checkbox"/> Smooth	<input type="checkbox"/> Med. <input type="checkbox"/> Bumpy	Track Temp/Air Temp: _____ / _____
Note: _____			

FRONT SUSPENSION	
Track Width: _____ mm	<input type="checkbox"/> Gear Diff _____ wt
Toe Angle: _____ °	<input type="checkbox"/> One Way
Caster: _____ °	<input type="checkbox"/> Spool
Camber: _____ °	
Ride Height: _____ mm	Anti-Roll Bar: Ø _____ mm
Down Stop: _____ mm	

**FF Arm Insert**

 +0.4 mm  
 +0.2 mm  
 0 mm  
 -0.2 mm  
 -0.4 mm

**FF Arm Mount**

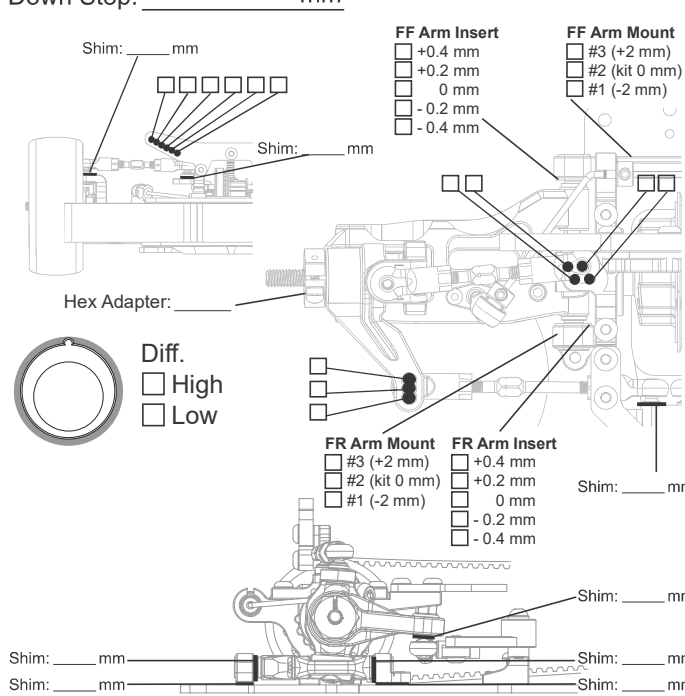
 #3 (+2 mm)  
 #2 (kit 0 mm)  
 #1 (-2 mm)

**FR Arm Mount**

 #3 (+2 mm)  
 #2 (kit 0 mm)  
 #1 (-2 mm)

**FR Arm Insert**

 +0.4 mm  
 +0.2 mm  
 0 mm  
 -0.2 mm  
 -0.4 mm



Shim: \_\_\_\_\_ mm

Hex Adapter: \_\_\_\_\_

Diff.  High  Low

Shim: \_\_\_\_\_ mm

Shim: \_\_\_\_\_ mm

Shim: \_\_\_\_\_ mm

Shim: \_\_\_\_\_ mm

Shim: \_\_\_\_\_ mm

Shim: \_\_\_\_\_ mm

REAR SUSPENSION	
Track Width: _____ mm	<input type="checkbox"/> Gear Diff _____ wt
Toe Angle: _____ °	
Camber: _____ °	
Ride Height: _____ mm	
Down Stop: _____ mm	Anti-Roll Bar: Ø _____ mm

**RF Arm Insert**

 +0.4 mm  
 +0.2 mm  
 0 mm  
 -0.2 mm  
 -0.4 mm

**RF Arm Mount**

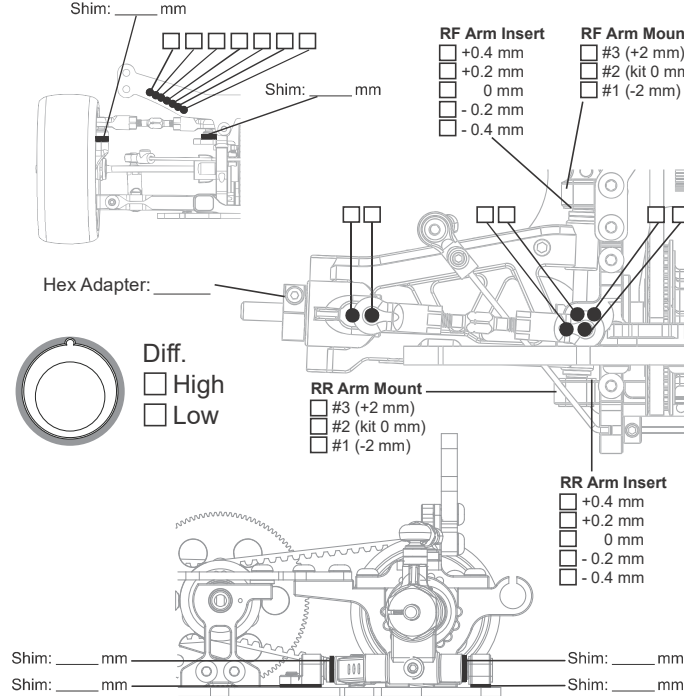
 #3 (+2 mm)  
 #2 (kit 0 mm)  
 #1 (-2 mm)

**RR Arm Mount**

 #3 (+2 mm)  
 #2 (kit 0 mm)  
 #1 (-2 mm)

**RR Arm Insert**

 +0.4 mm  
 +0.2 mm  
 0 mm  
 -0.2 mm  
 -0.4 mm



Shim: \_\_\_\_\_ mm

Hex Adapter: \_\_\_\_\_

Diff.  High  Low

Shim: \_\_\_\_\_ mm

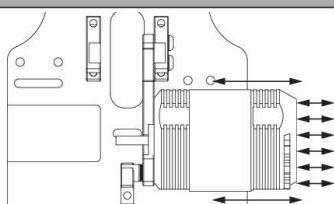
Shim: \_\_\_\_\_ mm

Shim: \_\_\_\_\_ mm

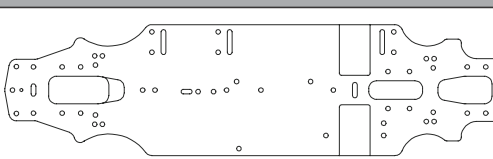
Shim: \_\_\_\_\_ mm

Shim: \_\_\_\_\_ mm

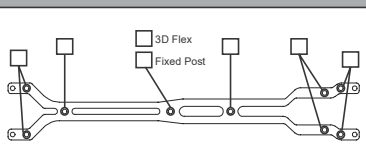
Shim: \_\_\_\_\_ mm



**Motor Position :**

 Inside (0mm)  
 Outside (1mm)  
 \_\_\_\_\_ mm


**Chassis:**  2.3 mm  2.5 mm  Aluminum



**Upper Deck:**  2 mm  2.3 mm  2.5 mm

3D Flex  Fixed Post

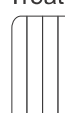
ELECTRONICS
Servo: _____
ESC: _____
Battery: _____

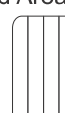
DRIVE RATIO
Spur Pinion $\frac{T}{T} \times 1.9 =$ _____

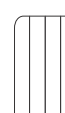
MOTOR
Brand: _____
Turns: _____
Timing: _____

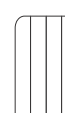
TIRES
Insert: _____
Wheel: _____
Shore/deg: _____
Compound: _____
Tire Temp: _____
Tire additive: _____
Treated Area

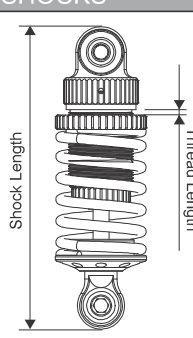
ESC
Punch: _____
Initial Brake: _____
Drag Brake: _____
<input type="checkbox"/> ESC Timing <input type="checkbox"/> Turbo Timing


  
FL

  
FR

  
RL

  
RR

SHOCKS	
	Hole Size: F _____ R _____
	Holes In Piston: F _____ R _____
	Shock Oil WT: F _____ R _____
	Shock Springs: F _____ R _____
	Shock Rebound: F _____ R _____
	Bladder Note: _____
	Thread Length: F _____ R _____
	Shock Length: F _____ R _____

BODY	
Body Position: _____	Body: _____
	Wing Height: _____
	Wing Position: _____