

SETUP SHEET



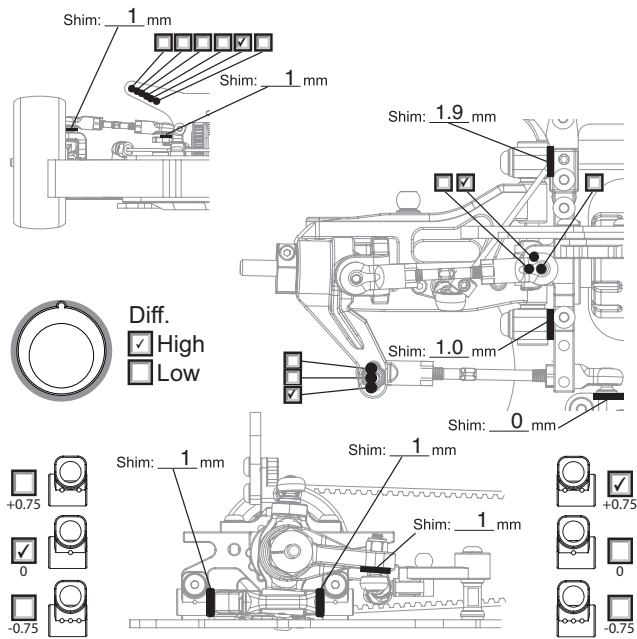
TRACK CONDITIONS

Type :	<input type="checkbox"/> Carpet	<input checked="" type="checkbox"/> Asphalt	Size:	<input type="checkbox"/> Open	<input checked="" type="checkbox"/> Med.	<input type="checkbox"/> Tight
Place :	<input type="checkbox"/> Indoor	<input checked="" type="checkbox"/> Outdoor	Traction:	<input type="checkbox"/> High	<input checked="" type="checkbox"/> Med.	<input type="checkbox"/> Low
Surface:	<input type="checkbox"/> Smooth	<input checked="" type="checkbox"/> Med.	<input type="checkbox"/> Bumpy	Track Temp/Air Temp: <u>40</u> / <u>30</u>		

Note: 30° Sunday

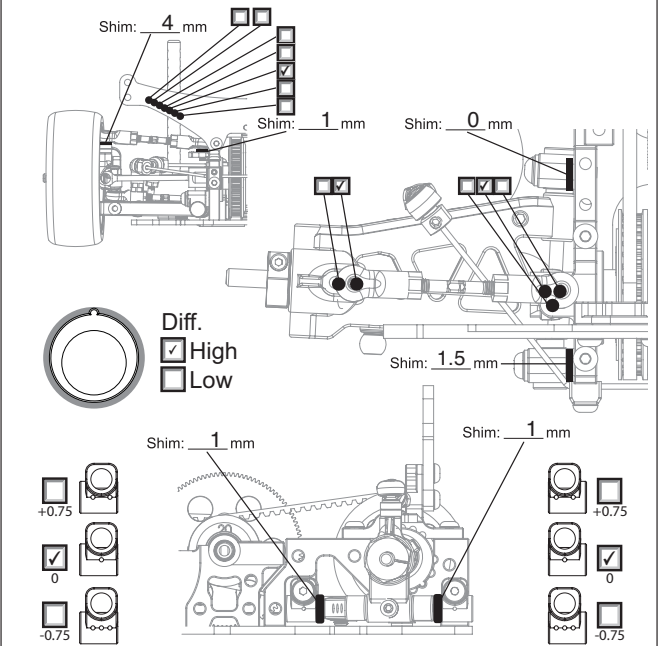
FRONT SUSPENSION

Track Width:	<u>188 mm</u>	<input type="checkbox"/> Gear Diff	<u> </u> wt
Toe Angle:	<u>1 °</u>	<input type="checkbox"/> Ball Diff	
Caster:	<u>0.5 °</u>	<input type="checkbox"/> One Way	
Camber:	<u>4 °</u>	<input checked="" type="checkbox"/> Solid Axle	
Ride Height:	<u>5.0 mm</u>	Anti-Roll Bar: Ø	<u>1.5 mm</u>
Down Stop:	<u>35.25 mm</u>		

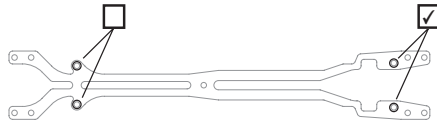


REAR SUSPENSION

Track Width:	<u>188 mm</u>	<input type="checkbox"/> Gear Diff	<u>1000</u> wt
Toe Angle:	<u>3 °</u>	<input type="checkbox"/> Ball Diff	
Camber:	<u>2 °</u>	<input type="checkbox"/> Solid Axle	
Ride Height:	<u>5.2 mm</u>		
Down Stop:	<u>35.25 mm</u>	Anti-Roll Bar: Ø	<u>1.3 mm</u>



STIFF SETTING



Upper Deck: 2.0mm 2.3mm 2.5mm



Chassis: 2.3mm 2.5mm 3.0mm

ELECTRONICS

Servo: Futaba BLS551

ESC: PRT10 v1.0

Battery: IP 6800 70c

DRIVE RATIO

Spur 110 T

Pinion 28 T X1.9 = 7.46

TIRES

Insert: Ride 26006 FVRC

Wheel: Ride 26006 FVRC

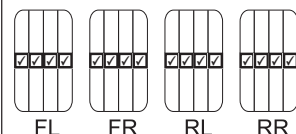
Shore/deg: 36

Compound: Ride 26006 FVRC

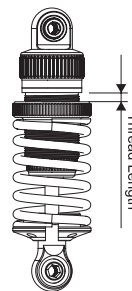
Tire Temp: 60

Tire additive: GreenRC (1/2h)

Treated Area



SHOCKS



Hole Size: **F** 1.2 **R** 1.2

Holes In Piston: **F** 2 **R** 2

Oil wt: **F** 550 Ultimate **R** 550 Ultimate

Springs: **F** 28 K-Factory **R** 25 K-Factory

Rebound: **F** 1/4 **R** 1/4

Bladder Note: -

Thread Length: **F** 1.5 **R** 2

ESC

Punch: 0

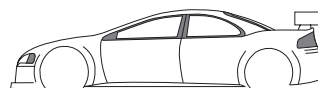
Initial Brake: 0

Drag Brake: 16

ESC Timing Turbo Timing

2/2/4/2

BODY



Body: Protoform Speed 6

Wing Height: Max

Wing Position: Max