

SETUP SHEET

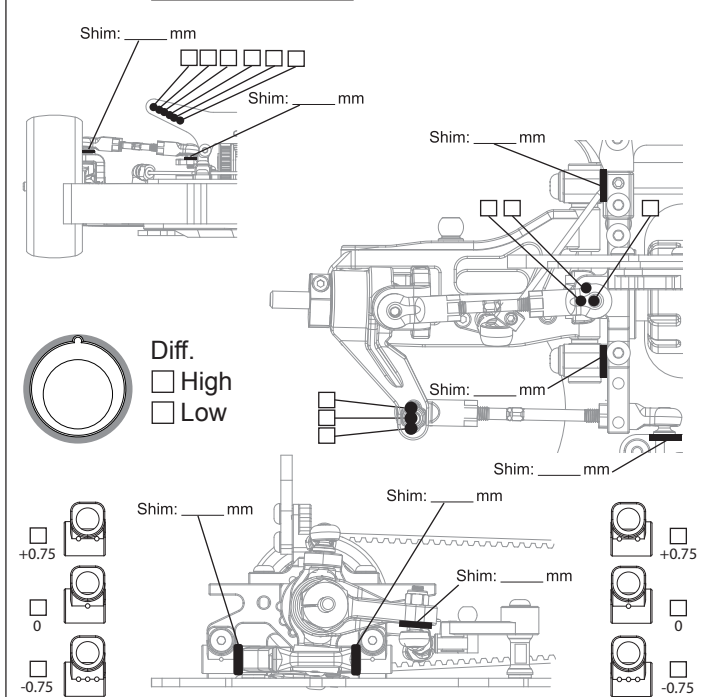


TRACK CONDITIONS

Type : Carpet Asphalt
 Place : Indoor Outdoor
 Surface : Smooth Med. Bumpy
 Size: Open Med. Tight
 Traction: High Med. Low
 Track Temp/Air Temp: _____ / _____
 Note: _____

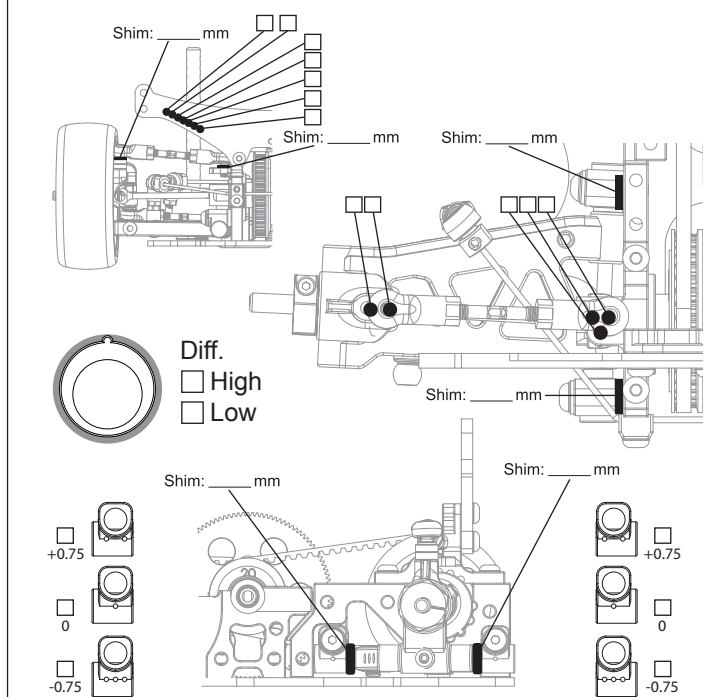
FRONT SUSPENSION

Track Width: _____ mm Gear Diff _____ wt
 Toe Angle: _____ ° Ball Diff
 Caster: _____ ° One Way
 Camber: _____ ° Solid Axle
 Ride Height: _____ mm Anti-Roll Bar: ∅ _____ mm
 Down Stop: _____ mm

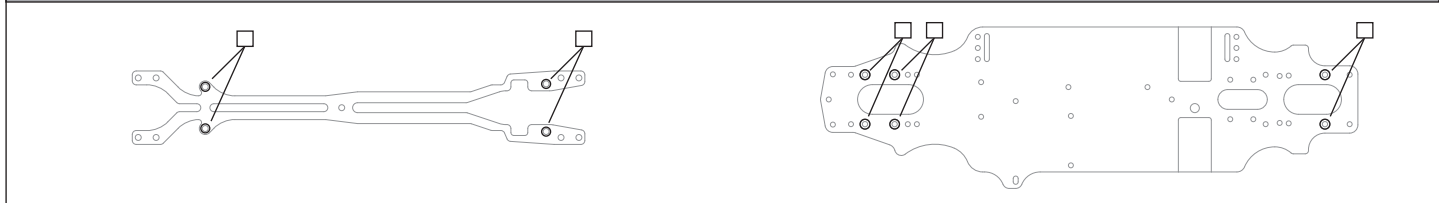


REAR SUSPENSION

Track Width: _____ mm Gear Diff _____ wt
 Toe Angle: _____ ° Ball Diff
 Camber: _____ ° Solid Axle
 Ride Height: _____ mm
 Down Stop: _____ mm Anti-Roll Bar: ∅ _____ mm



STIFF SETTING



ELECTRONICS

Servo: _____
 ESC: _____
 Battery: _____

DRIVE RATIO

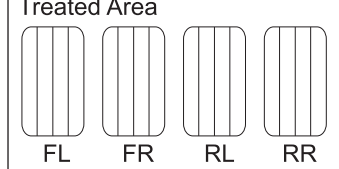
Spur $\frac{T}{T} \times 1.9 =$ _____
 Pinion _____

MOTOR

Brand: _____
 Turns: _____
 Timing: _____

TIRES

Insert : _____
 Wheel : _____
 Shore/deg : _____
 Compound : _____
 Tire Temp : _____
 Tire additive : _____
 Treated Area



SHOCKS

Hole Size: F _____ R _____
 Holes In Piston: F _____ R _____
 Oil wt: F _____ R _____
 Springs: F _____ R _____
 Rebound: F _____ R _____
 Bladder Note: _____
 Thread Length: F _____ R _____

ESC

Punch: _____
 Initial Brake: _____
 Drag Brake: _____
 ESC Timing Turbo Timing

BODY

Body: _____
 Wing Height: _____
 Wing Position: _____