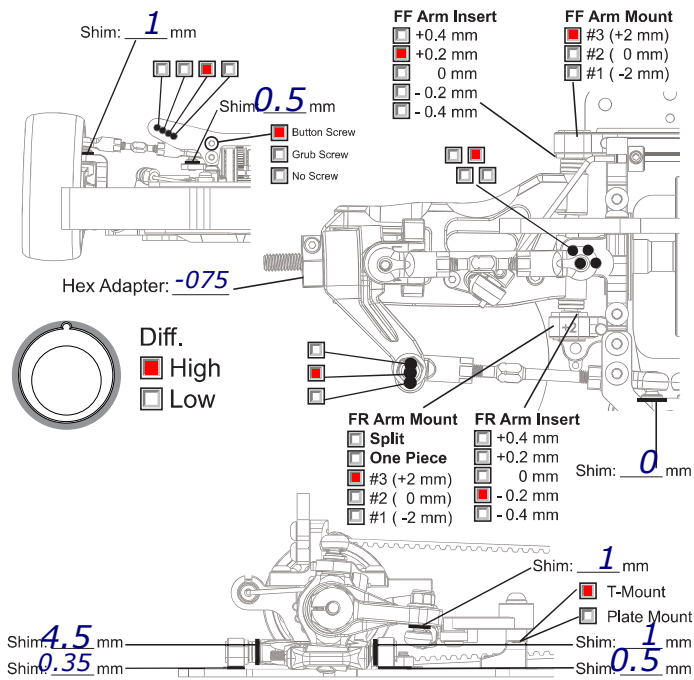


TRACK CONDITIONS

Type : Carpet Asphalt
 Place : Indoor Outdoor
 Surface : Smooth Med. Bumpy
 Size : Open Med. Tight
 Traction : High Med. Low
 Track Temp/Air Temp: 55 / 25
 Note: Very stable and easy to drive on high grip and technical track.

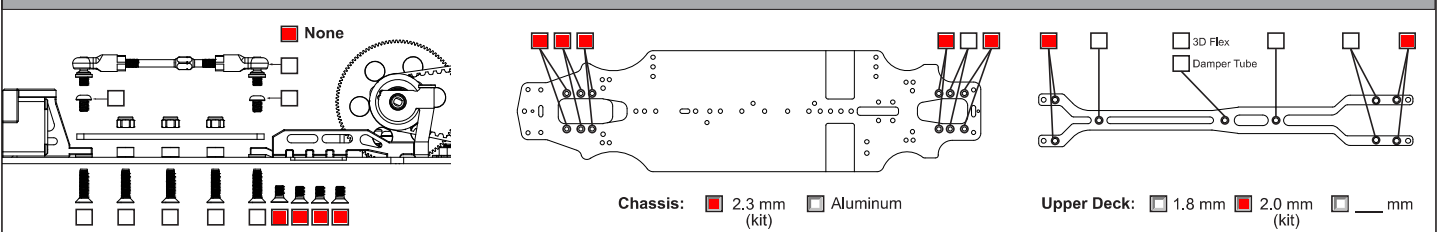
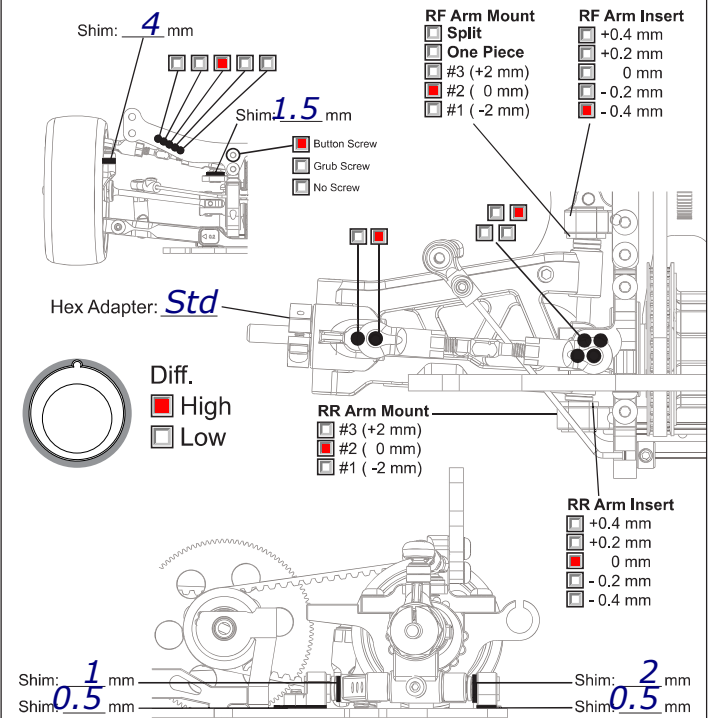
FRONT SUSPENSION

Track Width: _____ mm Gear Diff _____ wt
 Toe Angle: 1 ° Spool
 Caster: 4 °
 Camber: 2 °
 Ride Height: 5 mm Anti-Roll Bar: \varnothing 1.3 mm
 Down Stop: 5.8 mm



REAR SUSPENSION

Track Width: _____ mm Gear Diff 6000 wt
 Toe Angle: 2.7 °
 Camber: 2 °
 Ride Height: 5.2 mm
 Down Stop: 4.7 mm Anti-Roll Bar: \varnothing 1.2 mm



ELECTRONICS

Servo: Ko flexion
 ESC: Lrp flow x
 Battery: Lrp 6400

MOTOR

Brand: Lrp
 Turns: 4.5
 Timing: -5

ESC

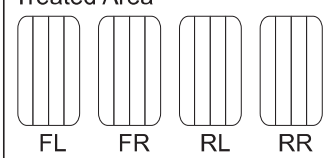
Punch: _____
 Initial Brake: _____
 Drag Brake: _____
 ESC Timing Turbo Timing

DRIVE RATIO

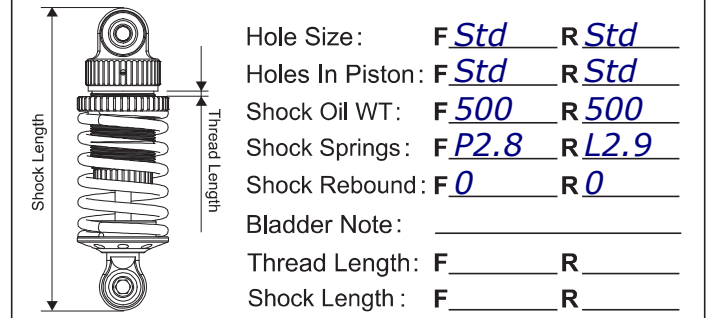
Spur 110 T
 Pinion 26 T $\times 1.9 =$ 8.04

TIRES

Insert: Team Power 34
 Wheel: _____
 Shore/deg: _____
 Compound: _____
 Tire Temp: _____
 Tire additive: _____
 Treated Area



SHOCKS



BODY

