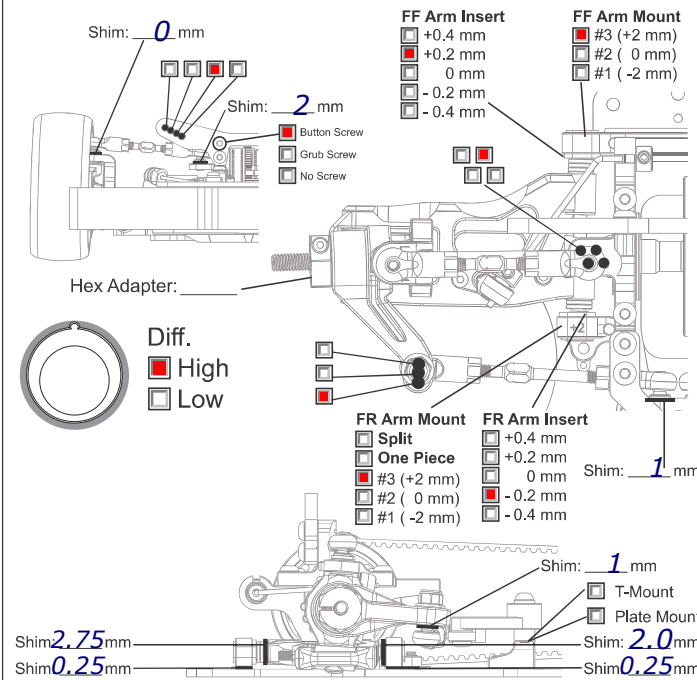


TRACK CONDITIONS

Type : Carpet Asphalt Size: Open Med. Tight
 Place : Indoor Outdoor Traction: High Med. Low
 Surface: Smooth Med. Bumpy Track Temp/Air Temp: _____ / _____
 Note: Fast Lap 12.5

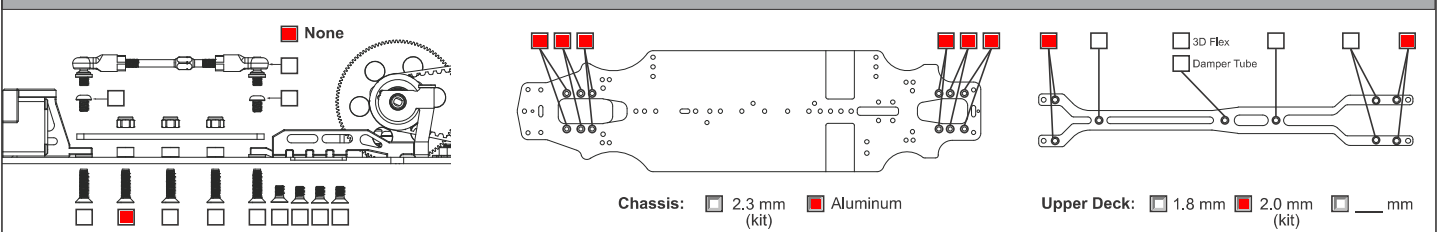
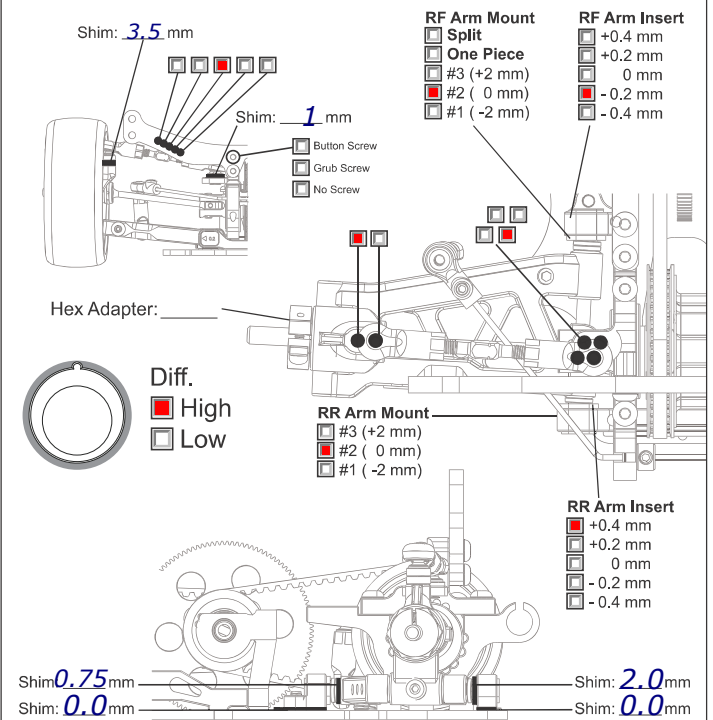
FRONT SUSPENSION

Track Width: _____ mm Gear Diff _____ wt
 Toe Angle: +0.5 ° Spool
 Caster: 4 °
 Camber: 1.5 °
 Ride Height: 5.2 mm Anti-Roll Bar: Ø 1.3 mm
 Down Stop: 6.0 mm



REAR SUSPENSION

Track Width: _____ mm Gear Diff 5000 wt
 Toe Angle: _____ °
 Camber: 2.0 °
 Ride Height: 5.4 mm
 Down Stop: 5.2 mm Anti-Roll Bar: Ø 1.3 mm



ELECTRONICS

Servo: HRC
 ESC: Orion
 Battery: EZ

DRIVE RATIO

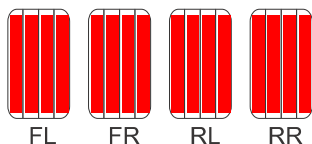
Spur 74 T
 Pinion 28 T $\times 1.9 =$ 5.02

MOTOR

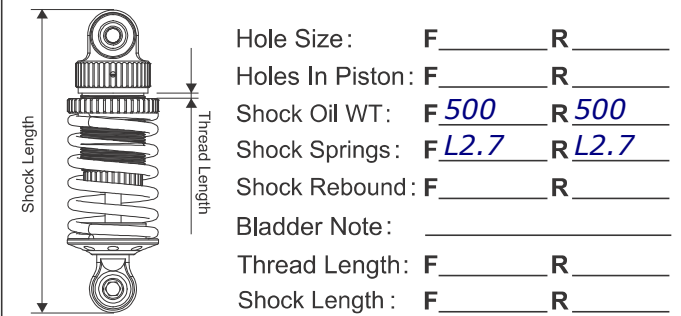
Brand: MM
 Turns: 13.5
 Timing: Fixed

TIRES

Insert: _____
 Wheel: _____
 Shore/deg: Volante 28
 Compound: _____
 Tire Temp: _____
 Tire additive: CS High
 Treated Area



SHOCKS



ESC

Punch: _____
 Initial Brake: _____
 Drag Brake: _____
 ESC Timing Turbo Timing

BODY

