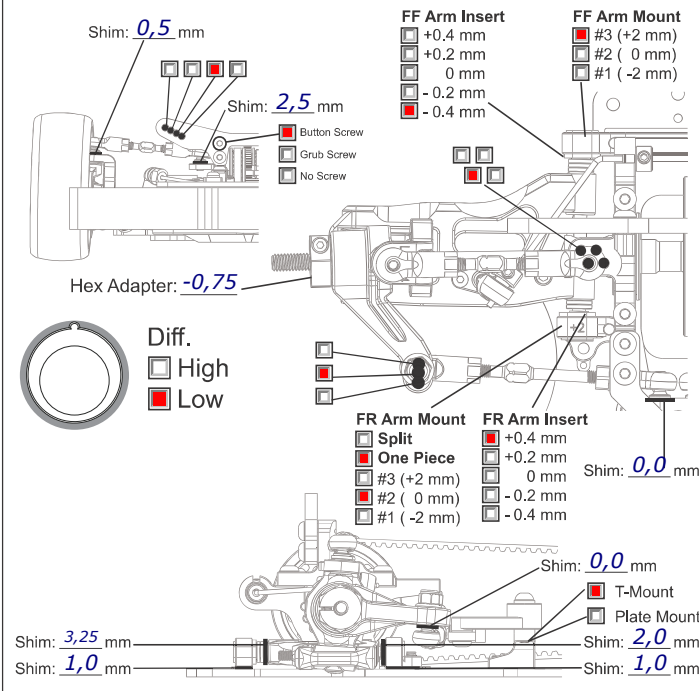


TRACK CONDITIONS

Type : Carpet Asphalt Size: Open Med. Tight
 Place : Indoor Outdoor Traction: High Med. Low
 Surface: Smooth Med. Bumpy Track Temp/Air Temp: _____ / _____
 Note: _____

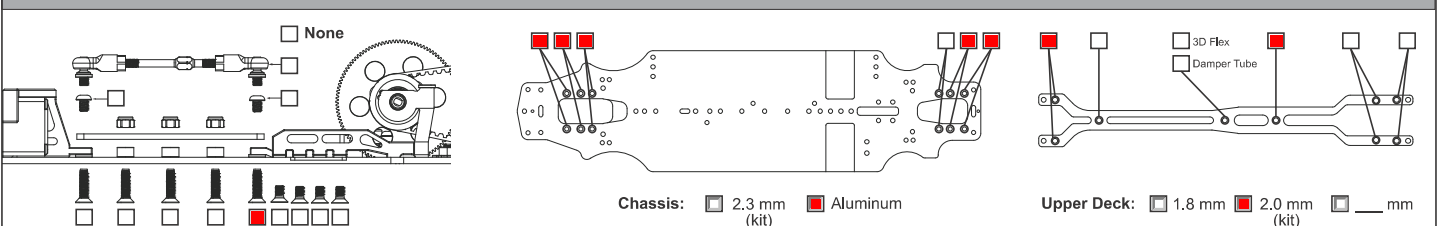
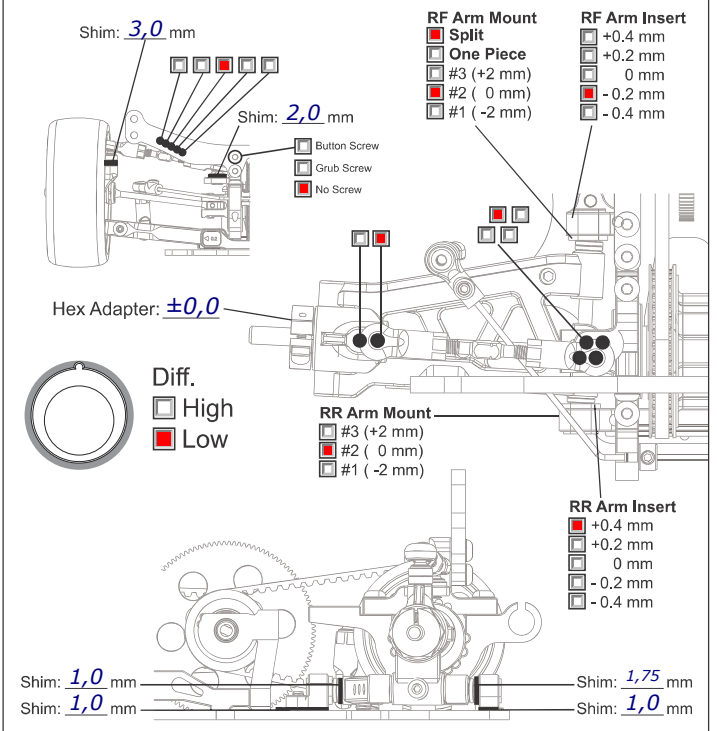
FRONT SUSPENSION

Track Width: 187 mm Gear Diff _____ wt
 Toe Angle: +1,0 ° Spool
 Caster: 4 °
 Camber: -1,5 °
 Ride Height: 5,2 mm Anti-Roll Bar: Ø 1,3 mm
 Down Stop: 5,8 (31,5/axle) mm



REAR SUSPENSION

Track Width: 187 mm Gear Diff 5'000 wt
 Toe Angle: 3,0 °
 Camber: -1,5 °
 Ride Height: 5,6 mm
 Down Stop: 4,6 (30,5/axle) mm Anti-Roll Bar: Ø 1,2 mm



ELECTRONICS

Servo: Futaba
 ESC: Tekin RSX
 Battery: Nosram 6400 mAh LCD

DRIVE RATIO

Spur 110 T
 Pinion 24 T $\times 1.9 =$ 8.71

MOTOR

Brand: Tekin G3
 Turns: 4,5T
 Timing: 30°

TIRES

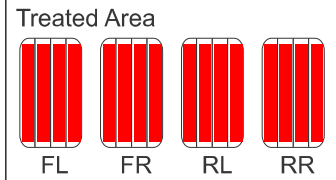
Insert: _____
 Wheel: Volante
 Shore/deg: _____
 Compound: 28R
 Tire Temp: _____
 Tire additive: CS

SHOCKS

Hole Size: F 1,2 R 1,2
 Holes In Piston: F 4 R 4
 Shock Oil WT: F 45 R 45
 Shock Springs: F 2,7P R 2,7L
 Shock Rebound: F 0 % R 0 %
 Bladder Note: _____
 Thread Length: F _____ R _____
 Shock Length: F _____ R _____

ESC

Punch: _____
 Initial Brake: 0%
 Drag Brake: 23%
 ESC Timing Turbo Timing



BODY

Body Position: + 4 mm Body: BD M410
 Wing Height: max.
 Wing Position: back