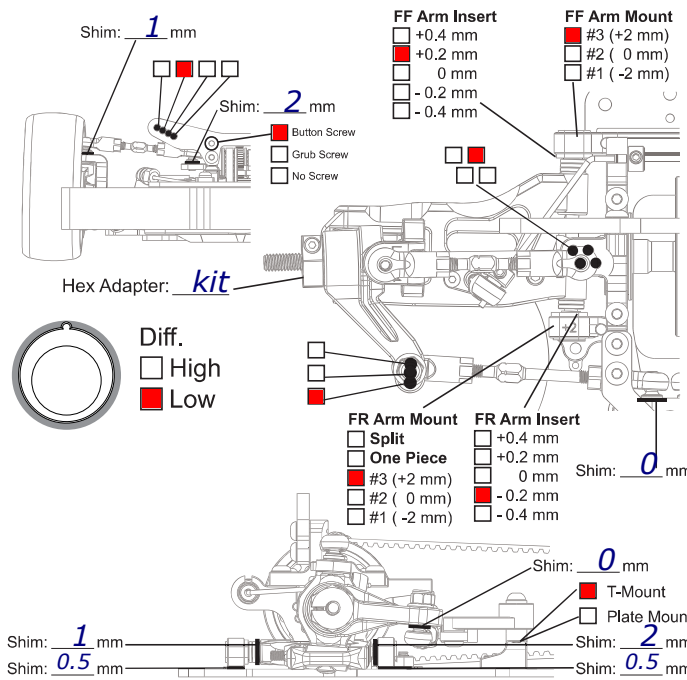


TRACK CONDITIONS

Type : Carpet Asphalt Size: Open Med. Tight
 Place : Indoor Outdoor Traction: High Med. Low
 Surface: Smooth Med. Bumpy Track Temp/Air Temp: 13 / _____
 Note: TQ and 3 finals won, Fastest lap of the day.

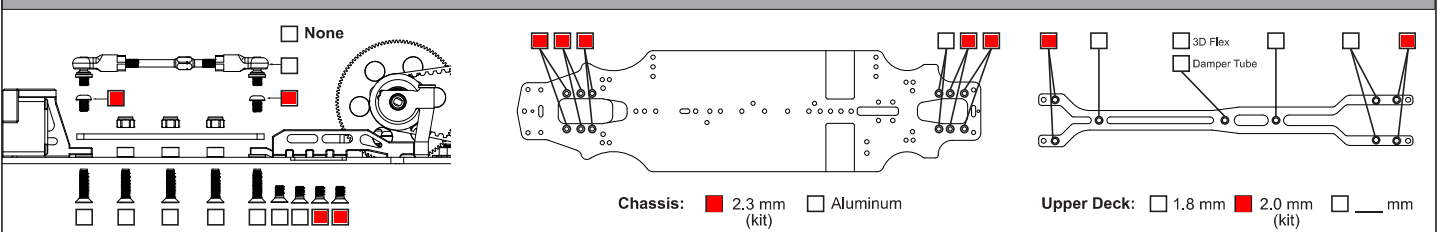
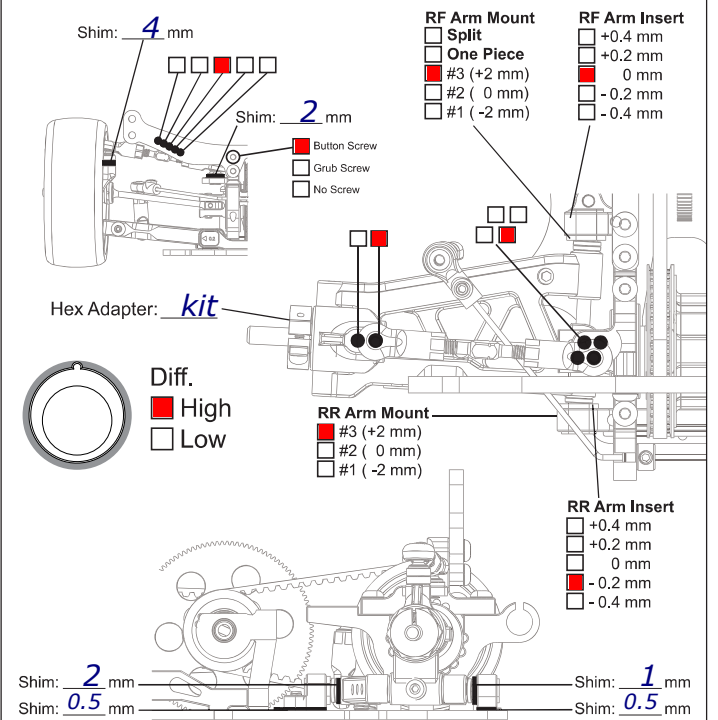
FRONT SUSPENSION

Track Width: _____ mm Gear Diff _____ wt
 Toe Angle: 0.5 ° Spool
 Caster: 4 °
 Camber: 1.5 °
 Ride Height: 5 mm Anti-Roll Bar: Ø 1.3 mm
 Down Stop: 31.8 mm



REAR SUSPENSION

Track Width: _____ mm Gear Diff 8000 wt
 Toe Angle: 3 °
 Camber: 2.0 °
 Ride Height: 5.2 mm
 Down Stop: 30.7 mm Anti-Roll Bar: Ø 1.2 mm



ELECTRONICS

Servo: HRC BL Low
 ESC: Muchmore
 Battery: Muchmore

MOTOR

Brand: Muchmore
 Turns: 13.5
 Timing: 0

ESC

Punch: 12
 Initial Brake: 10
 Drag Brake: 10
 ESC Timing Turbo Timing

DRIVE RATIO

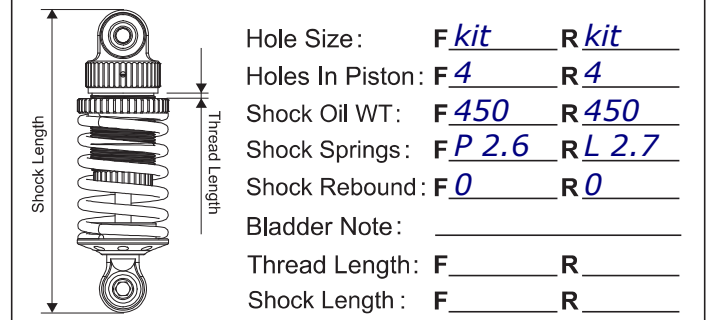
Spur 79 T
 Pinion 30 T $\times 1.9 =$ 5.00

TIRES

Insert: _____
 Wheel: Volante
 Shore/deg: 28
 Compound: _____
 Tire Temp: _____
 Tire additive: HRC



SHOCKS



BODY

