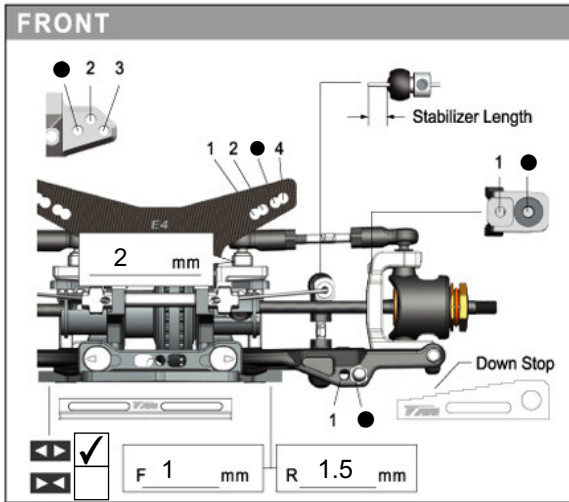


TRACK CONDITIONS							
Size:	low	1	2	3	4	5	high
Traction:	low	1	2	3	4	5	high

Track Temp/Air Temp: 32-35 ° / _____ °
 Best Lap: _____
 Note: _____ This setup is based in Marcos 2° setup.

FRONT

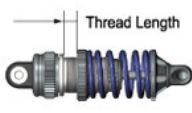


Stabilizer Length _____
 Camber Angle 1.5 °
 Castor 3 °
 Ride Height 5 mm
 Down Stop 4 mm
 Front Drive Diff One-Way Solid
 Stabilizer 1.1 1.2 1.3 1.5 1.6 mm
 Stabilizer Length 0 mm
 Notes HB stabilizer

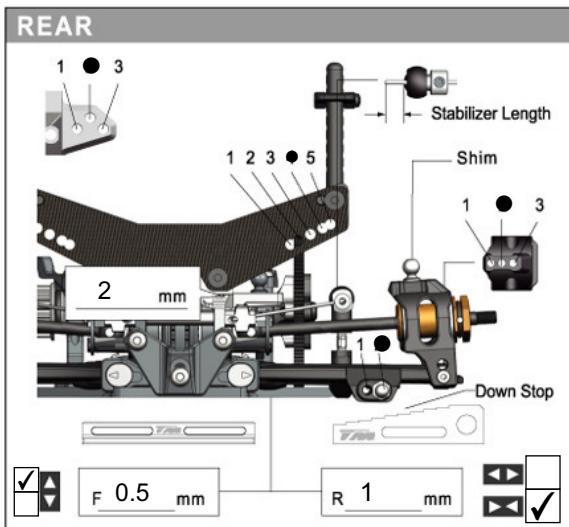
F 1 mm R 1.5 mm

SHOCKS

	Front	Rear
Piston	Hole Size <u>1.2</u> mm	Hole Size <u>1.2</u> mm
#of Holes	<input type="checkbox"/> 1 <input checked="" type="checkbox"/> 2 <input type="checkbox"/> 3	<input type="checkbox"/> 1 <input checked="" type="checkbox"/> 2 <input type="checkbox"/> 3
Oil wt.	<u>35</u>	<u>35</u>
Oil Brand	<u>orion</u>	<u>orion</u>
Springs	<u>HB gold (19)</u>	<u>HB silver(17)</u>
Oring	_____	_____
Bladder note	_____	_____
Front	_____ mm	_____ mm
Rear	_____ mm	_____ mm

Thread Length _____


REAR



Stabilizer Length _____
 Camber Angle 1.5 °
 Ride Height 5.5 mm
 Down Stop 3.5 mm
 Stabilizer 1.1 1.3 1.4 1.5 1.6 mm
 Stabilizer Length 1 mm
 Shim 0 mm
 Rear Wheelbase std °
 Notes HB stabilizer - Hubs 1.5°

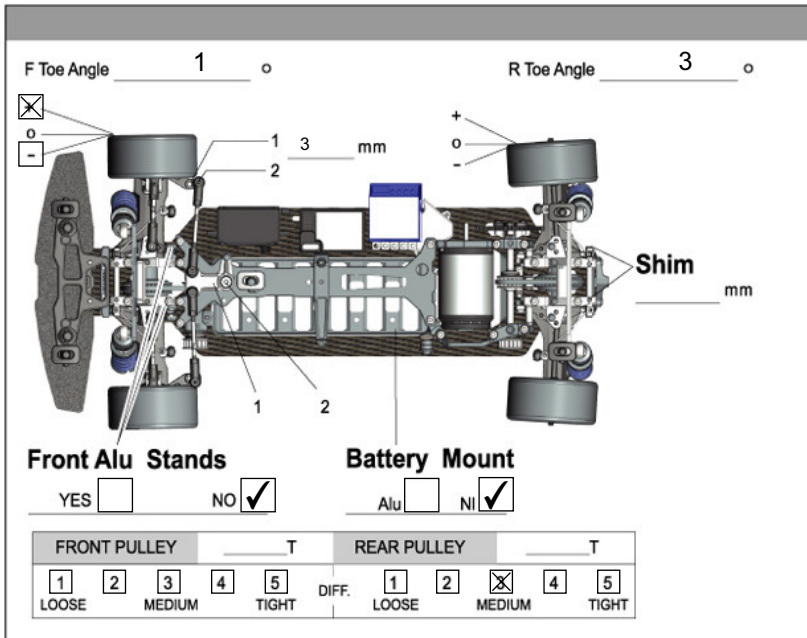
F 0.5 mm R 1 mm

TIRES

	Front	Rear
Brand	<u>Sorex</u>	<u>Sorex</u>
Wheel	_____	_____
Shore / deg	<u>36</u>	<u>36</u>
Compound	_____	_____
DIAMETER /mm	_____	_____
Notes	<u>Tyre Tweek + Tyre warmers</u>	

FRONT LEFT
 FRONT RIGHT
 TREATED AREA _____
 REAR LEFT
 REAR RIGHT

F Toe Angle 1 ° R Toe Angle 3 °



Shim _____ mm

Front Alu Stands YES NO
 Battery Mount Alu Ni

FRONT PULLEY _____ T REAR PULLEY _____ T
 1 2 3 4 5 DIFF. 1 2 4 5
 LOOSE MEDIUM TIGHT LOOSE MEDIUM TIGHT

Steering System
 Single Dual

Wheel Hubs
 F Widthspacer 1 mm
 R Widthspacer 1 mm

Front Width 188 mm
Rear Width 188 mm

R Upright spacer
 Front _____ mm Rear _____ mm

Spur&Pinion
 Spur (S) _____ } S/P = _____ X1.8888=R Body Stratus III
 Pinion (P) _____
 Final Drive Ratio(R) _____ Wing STD

Electronics
 Transmitter KO
 Receiver KO
 Servo S9550
 ESC Nosram ISTC
 Battery 5 Cell 4200 - forward

Motor
 Brand Nosram
 Turns 4.0
 Brushes :)
 Springs :DD
 Timing 2 mm (std)