

SETUP SHEET



TRACK CONDITIONS

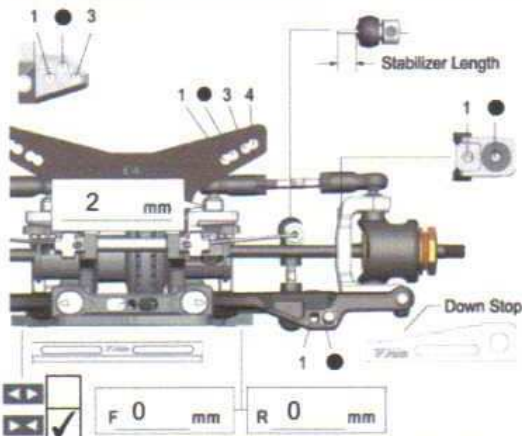
Size: low 1 2 4 5 high
 Traction: low 1 2 4 5 high

Track Temp/Air Temp: hot _____ ° / _____ °

Best Lap: 13.7

Note: _____

FRONT

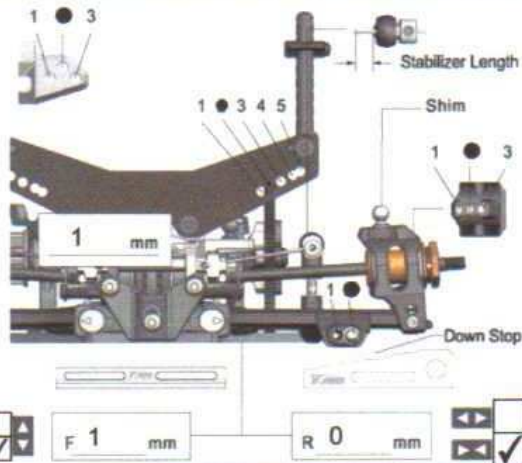


Camber Angle 1.5 °
 Castor 3 °
 Ride Height 5 mm
 Down Stop 2mm over RH mm
 Front Drive Diff One-Way Solid
 Stabilizer 1.1 1.2 1.3 1.4 1.5 1.6 mm
 Stabilizer Length _____ mm
 Notes No Sway Bars

SHOCKS

	Front		Rear		
Piston	Hole Size	Stock mm	Hole Size mm		
	# of Holes	<input type="checkbox"/> 1 <input checked="" type="checkbox"/> 3	# of Holes <input type="checkbox"/> 1 <input type="checkbox"/> 2 <input type="checkbox"/> 3		
Oil wt.	35wt		35wt		
Oil Brand	Schumacher		Schumacher		
Springs	AE Blues		AE Greens		
O-ring	_____		_____		
Bladder note	_____		_____		
Front	_____ mm		_____ mm		
Rear	_____ mm		_____ mm		

REAR

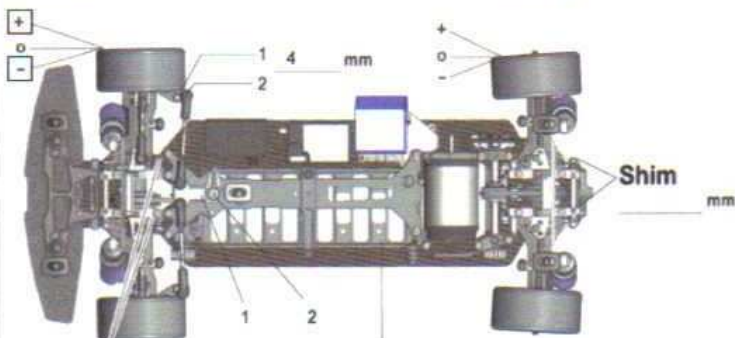


Camber Angle 1.5 °
 Ride Height 6 mm
 Down Stop 3mm over RH mm
 Stabilizer 1.1 1.2 1.3 1.4 1.5 1.6 mm
 Stabilizer Length _____ mm
 Shim 0 mm
 Rear Wheelbase _____ °
 Notes Used K-Factory 1.5 rear hubs

TIRES

	Front	Rear
Brand	Sorex	Sorex
Wheel	Speedmind	Speedmind
Shore / deg	32	32
Compound	_____	_____
DIAMETER /mm	_____	_____
Notes	_____	

F Toe Angle 0 ° R Toe Angle 3 °



Front Alu Stands

YES NO

Battery Mount

Alu NI

FRONT PULLEY 35 T REAR PULLEY 35 T
 1 2 3 4 5 DIFF. 1 2 4 5
 LOOSE MEDIUM TIGHT LOOSE MEDIUM TIGHT

Steering System

Single Dual

Wheel Hubs

F Widthspacer 0 mm
 R Widthspacer .5 mm

Front Width

Rear Width

R Upright spacer

Front _____ mm Rear _____ mm

Spur&Pinion

Spur (S) 69 Pinion (P) 34 } $\frac{S}{P} =$ _____ X 1.8888=R Body Speed 6
 Final Drive Ratio(R) 4.18 Wing Stock

Electronics

Transmitter Spektrumq
 Receiver DSM2
 Servo Futaba 9550
 ESC LRP TC Spec
 Battery CORE RC 5000
Motor
 Brand SpeedPassion
 Turns 13.5
 Brushes _____
 Springs _____
 Timing _____