

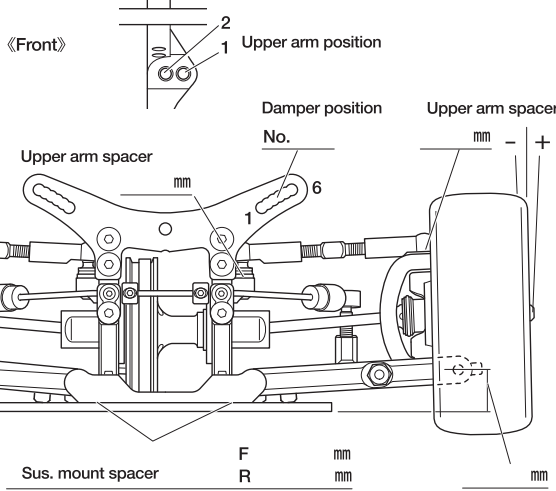
TRF 419 WORLD CHAMPION TEAM

TAMIYA RACING FACTORY

SETTING SHEET

Name _____ Date _____ Air temp. _____ Track temp. _____ Humidity _____

Track _____ Asphalt Carpet _____ Bumpy Smooth _____ Fast Mixed Technical _____



Front axle _____ °

Camber angle _____ °

Ground clearance _____ mm

Rebound stroke _____ mm

Stabilizer _____

Wheel spacer _____ mm

Front drive _____

Differential oil # %



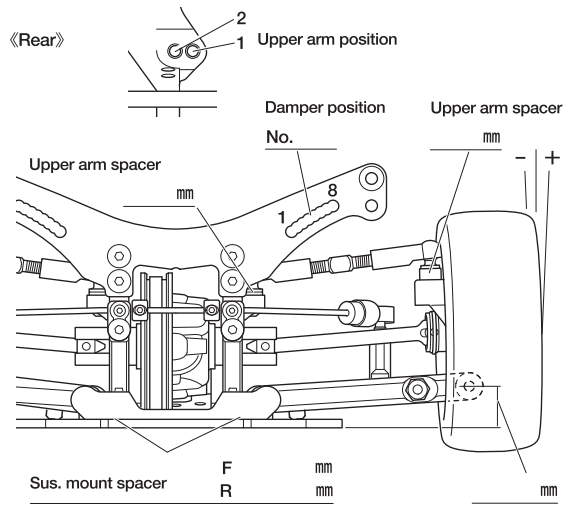
Damper type _____

Piston _____ hole(s)

Oil _____ #

Spring _____

Memo _____



Rear upright 416 / 418

Camber angle _____ °

Ground clearance _____ mm

Rebound stroke _____ mm

Stabilizer _____

Wheel spacer _____ mm

Rear drive _____

Differential oil _____



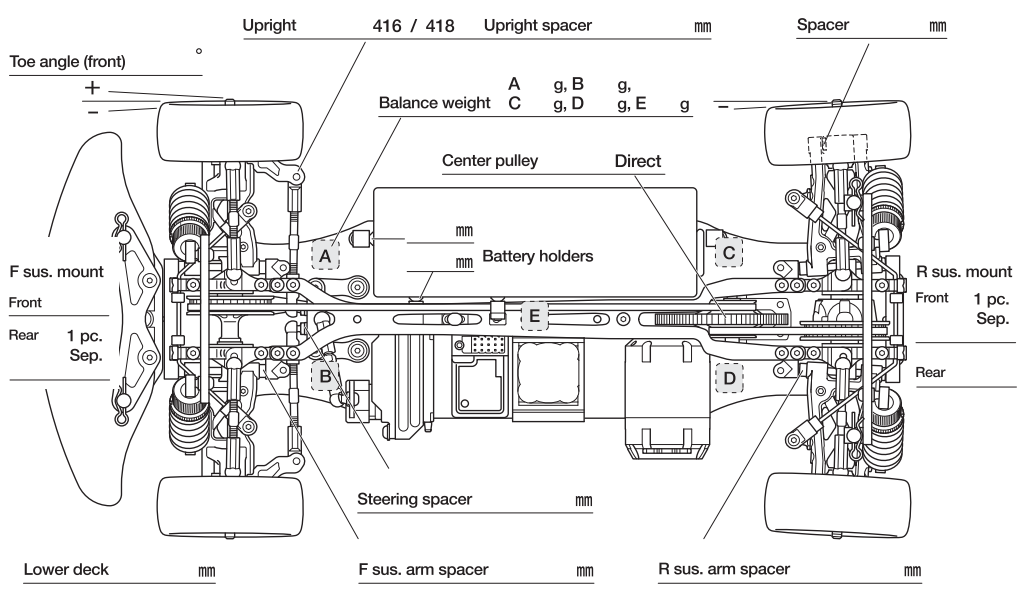
Damper type _____

Piston _____ hole(s)

Oil _____ #

Spring _____

Memo _____



Motor _____

Spur _____ Pinion _____ Pitch _____

Battery _____ / g

Body _____

Wing _____

Tire _____

Wheel _____

Tire insert _____

Best lap _____