

# TRF416

TAMIYA RACING FACTORY

## CHASSIS KIT

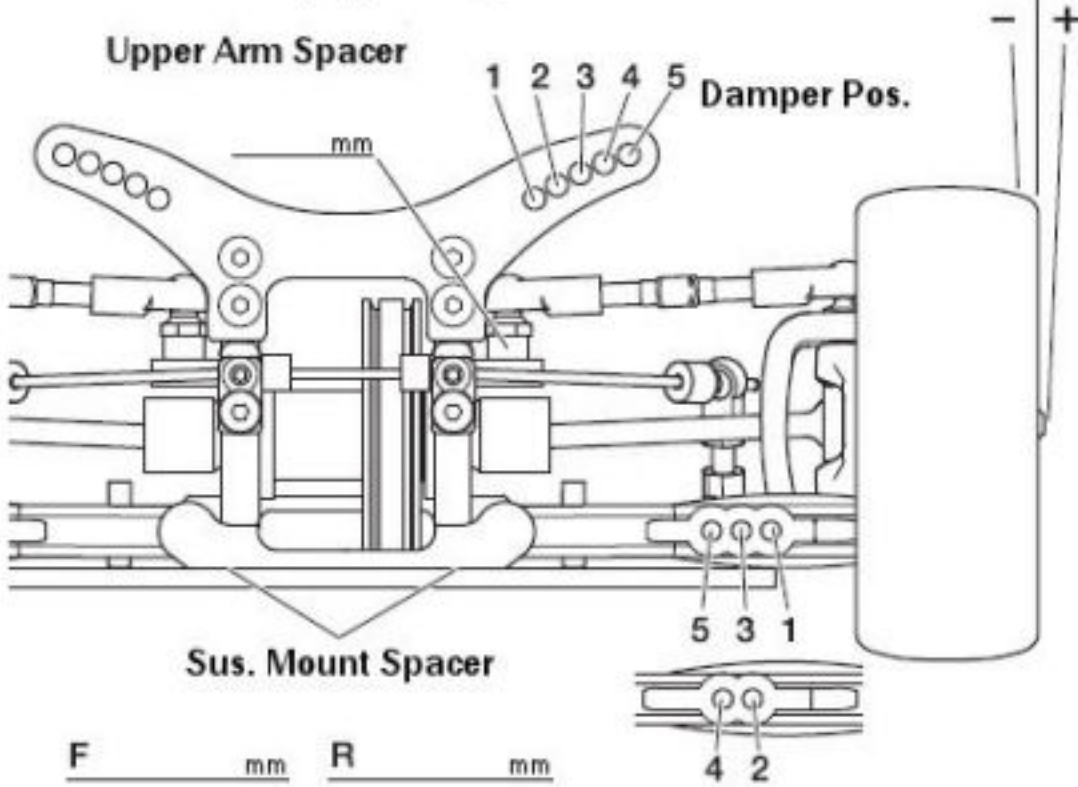
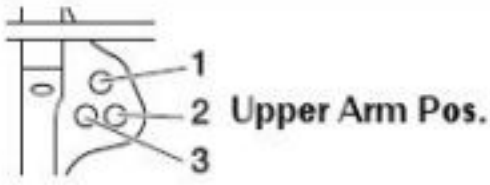
1/10 SCALE R/C 4WD RACING CAR  
TRF416 CHASSIS KIT

### SETTING SHEET

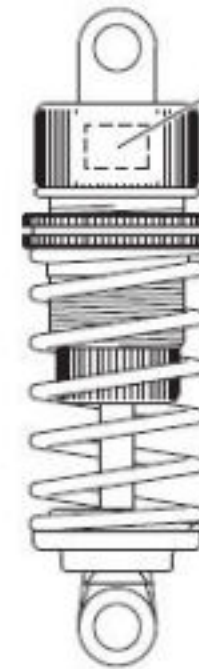
Name \_\_\_\_\_ Date \_\_\_\_\_ Air Temp. \_\_\_\_\_ Humidity \_\_\_\_\_

Track \_\_\_\_\_ Track Condition \_\_\_\_\_ Track Temp \_\_\_\_\_

[ FRONT ]

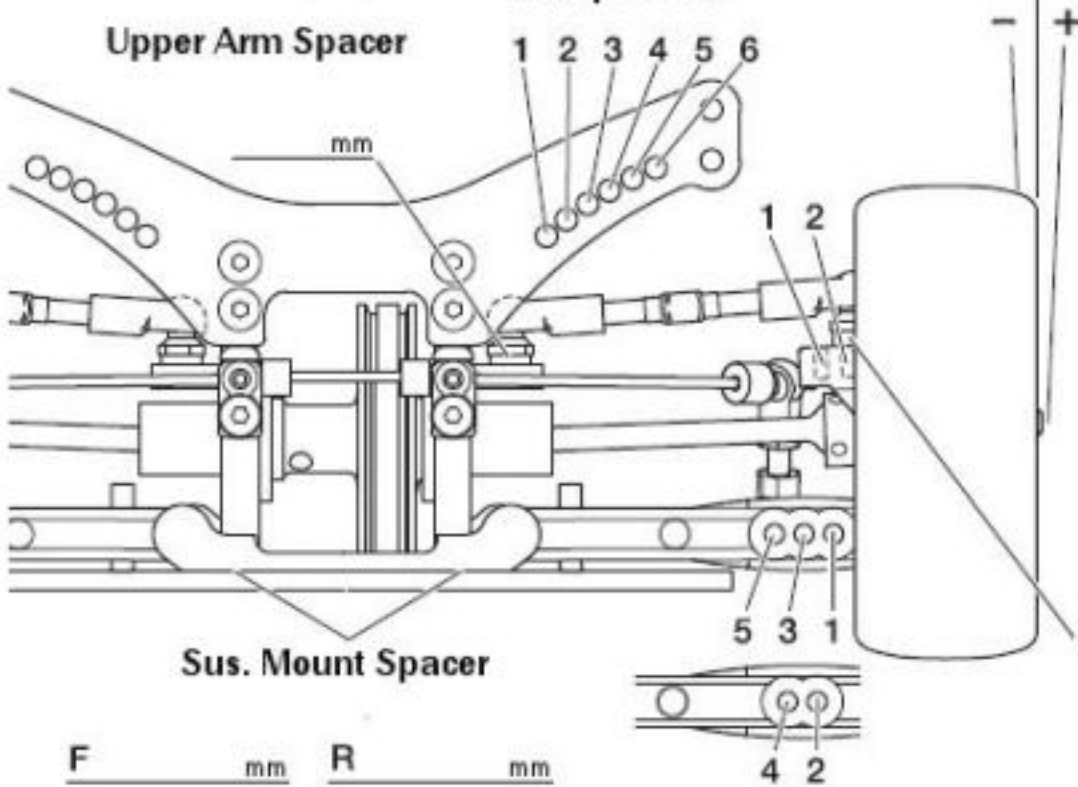
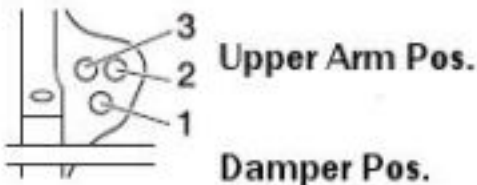


Caster Blocks \_\_\_\_\_ 2° 4°  
 Camber \_\_\_\_\_ °  
 Ride Height \_\_\_\_\_ mm  
 Droop \_\_\_\_\_ mm  
 Front Axle \_\_\_\_\_  
 One-way \_\_\_\_\_ Diff \_\_\_\_\_ Spool \_\_\_\_\_  
 Roll bar \_\_\_\_\_  
 None \_\_\_\_\_ S \_\_\_\_\_ M \_\_\_\_\_ H \_\_\_\_\_  
 Wheel Spacer \_\_\_\_\_ mm  
 Notes \_\_\_\_\_



Shock Bushing \_\_\_\_\_ Piece(s)  
 Piston \_\_\_\_\_ Holes  
 Oil \_\_\_\_\_ Weight  
 Spring \_\_\_\_\_  
 Shock Length \_\_\_\_\_ mm  
 Wheel Hex \_\_\_\_\_ mm  
 Rebound \_\_\_\_\_ %

[ REAR ]

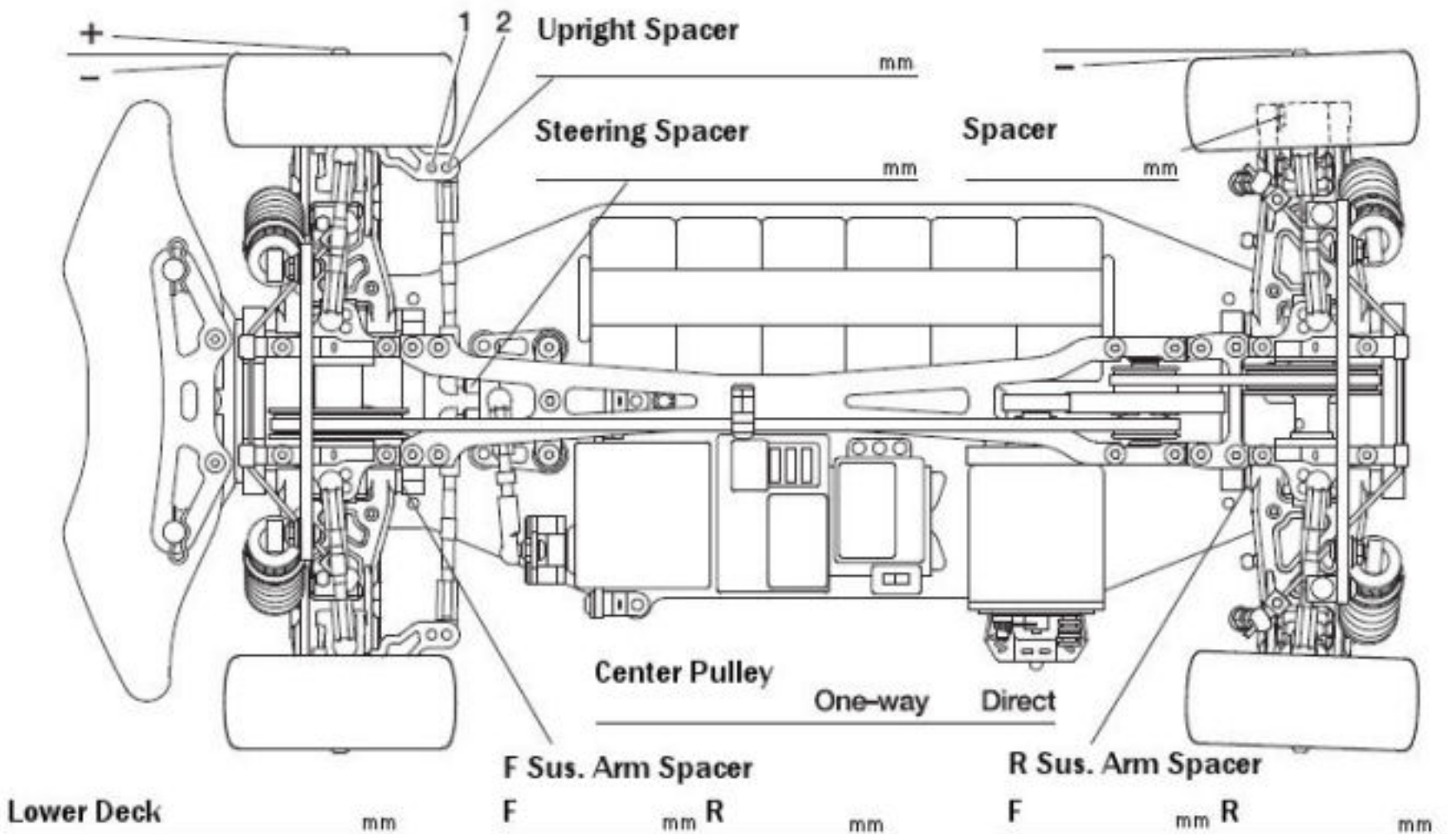


Rear Hub \_\_\_\_\_ °  
 Camber \_\_\_\_\_ °  
 Ride Height \_\_\_\_\_ mm  
 Droop \_\_\_\_\_ mm  
 Roll bar \_\_\_\_\_  
 None \_\_\_\_\_ S \_\_\_\_\_ M \_\_\_\_\_ H \_\_\_\_\_  
 Wheel Spacer \_\_\_\_\_ mm  
 Upper Arm Spacer \_\_\_\_\_ mm



Shock Bushing \_\_\_\_\_ Piece(s)  
 Piston \_\_\_\_\_ Holes  
 Oil \_\_\_\_\_ Weight  
 Spring \_\_\_\_\_  
 Shock Length \_\_\_\_\_ mm  
 Wheel Hex \_\_\_\_\_ mm  
 Rebound \_\_\_\_\_ %

Toe Angle \_\_\_\_\_ ° F Sus. Mount \_\_\_\_\_ R \_\_\_\_\_ R Sus. Mount \_\_\_\_\_ F \_\_\_\_\_ R \_\_\_\_\_



Motor \_\_\_\_\_  
 Spur \_\_\_\_\_ Pinion \_\_\_\_\_  
 T \_\_\_\_\_ T \_\_\_\_\_  
 Battery \_\_\_\_\_  
 Body \_\_\_\_\_  
 Wing \_\_\_\_\_  
 Tire \_\_\_\_\_  
 Wheel \_\_\_\_\_  
 Insert \_\_\_\_\_  
 Best Lap \_\_\_\_\_

