

TRF416

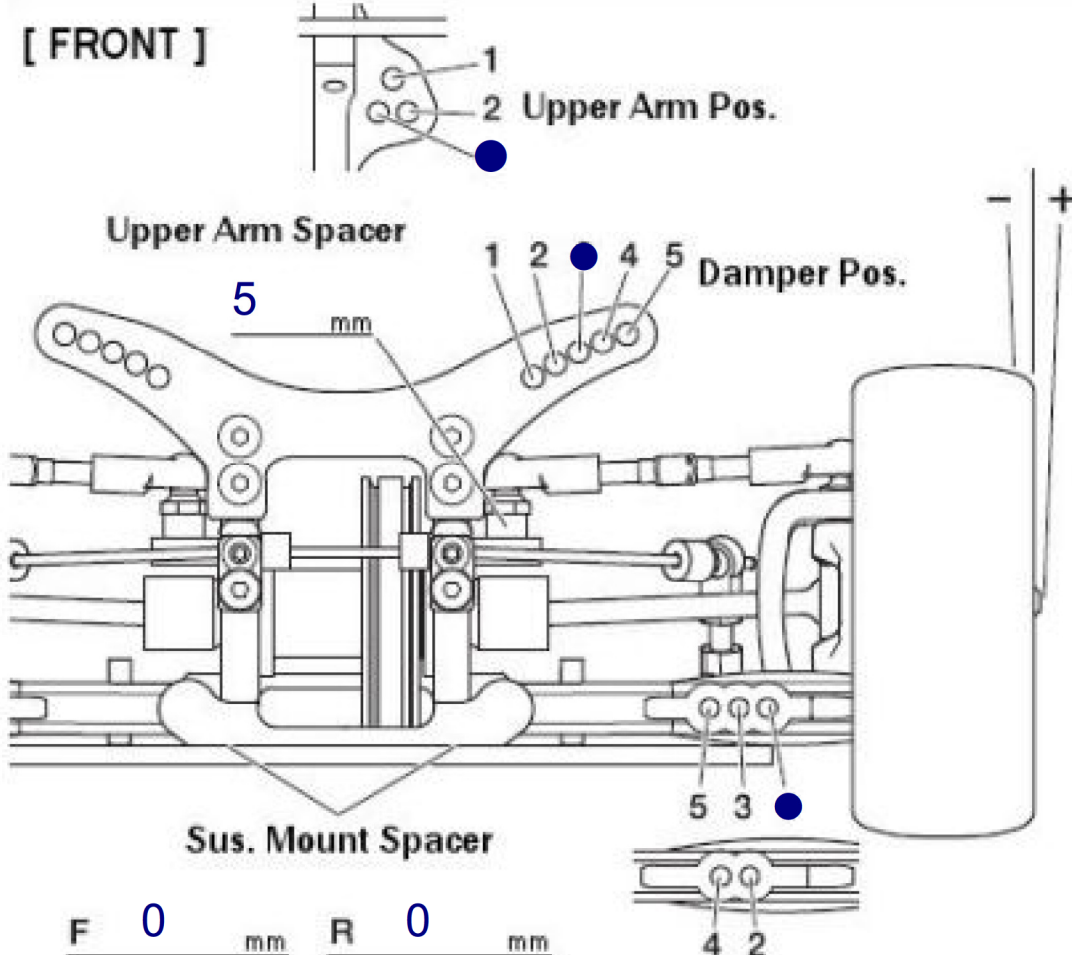
TAMIYA RACING FACTORY

CHASSIS KIT

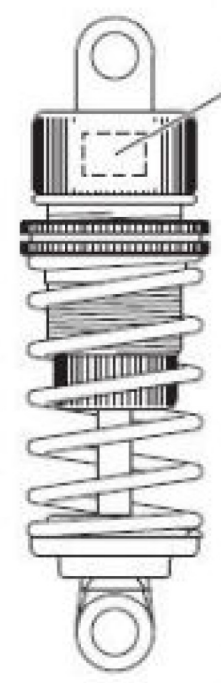
1/10 SCALE R/C 4WD RACING CAR
TRF416 CHASSIS KIT

SETTING SHEET

Name	Date	Air Temp.	Humidity
Henry Salmén			
Track	Track Condition	Track Temp	
DHI- Cup 2010			

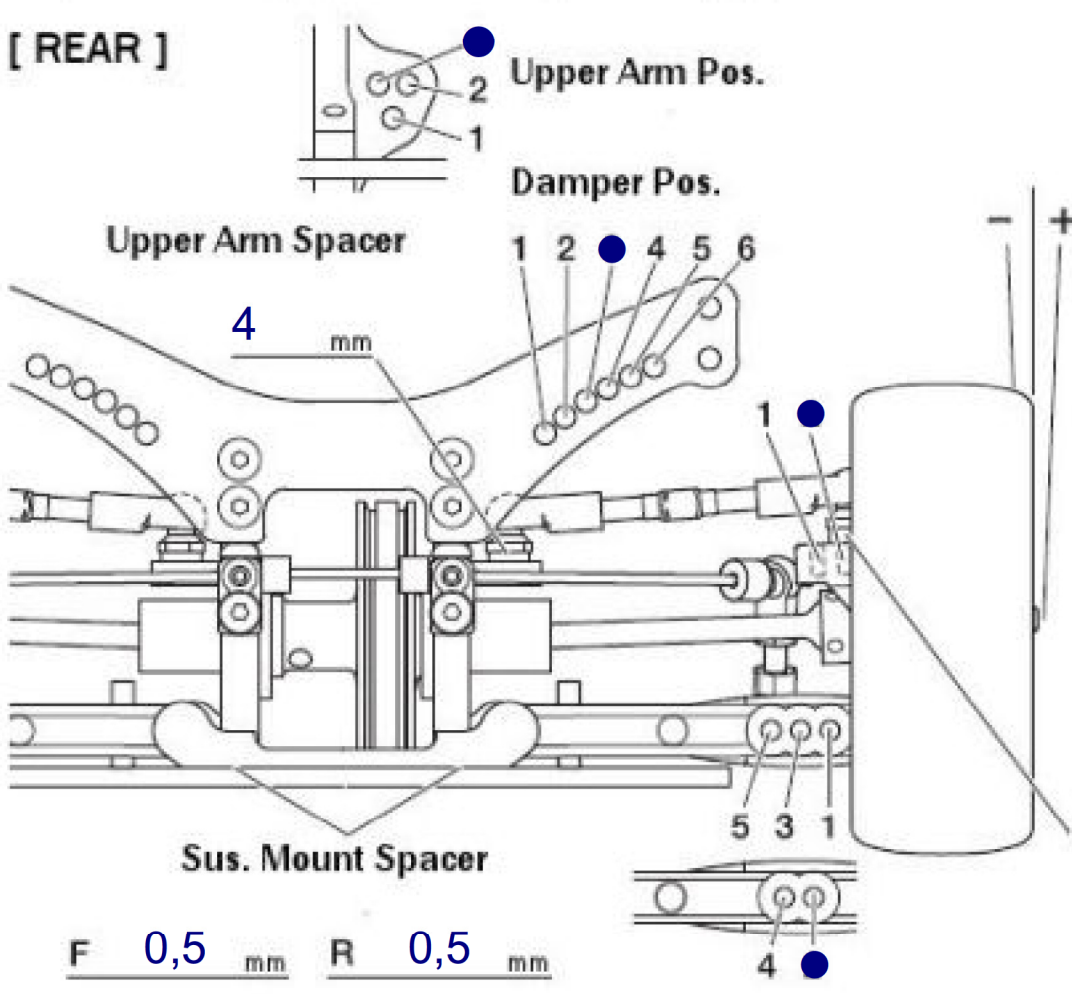


Castor Blocks	<input checked="" type="checkbox"/> 2°
Camber	1,5 °
Ride Height	4,5 mm
Droop	26 mm
Front Axle	One-way <input type="checkbox"/> Diff <input type="checkbox"/> Spool <input checked="" type="checkbox"/>
Roll bar	None <input type="checkbox"/> S <input checked="" type="checkbox"/> H <input type="checkbox"/>
Wheel Spacer	0,5 mm

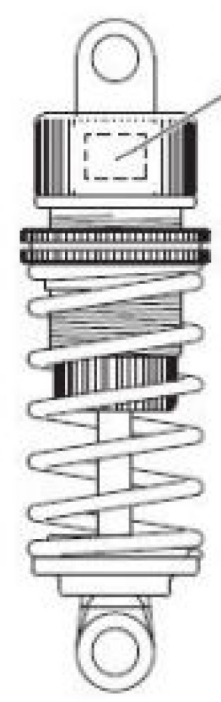


Shock Bushing	-	Piece(s)
Piston	3	Holes
Oil	UR50	Weight
Spring	Tamiya White	
Shock Length		mm
Wheel Hex	4	mm
Rebound	3mm	%

Notes
Diffs down, cut top deck, flipped drivetrain, servo more inward, battery moved out



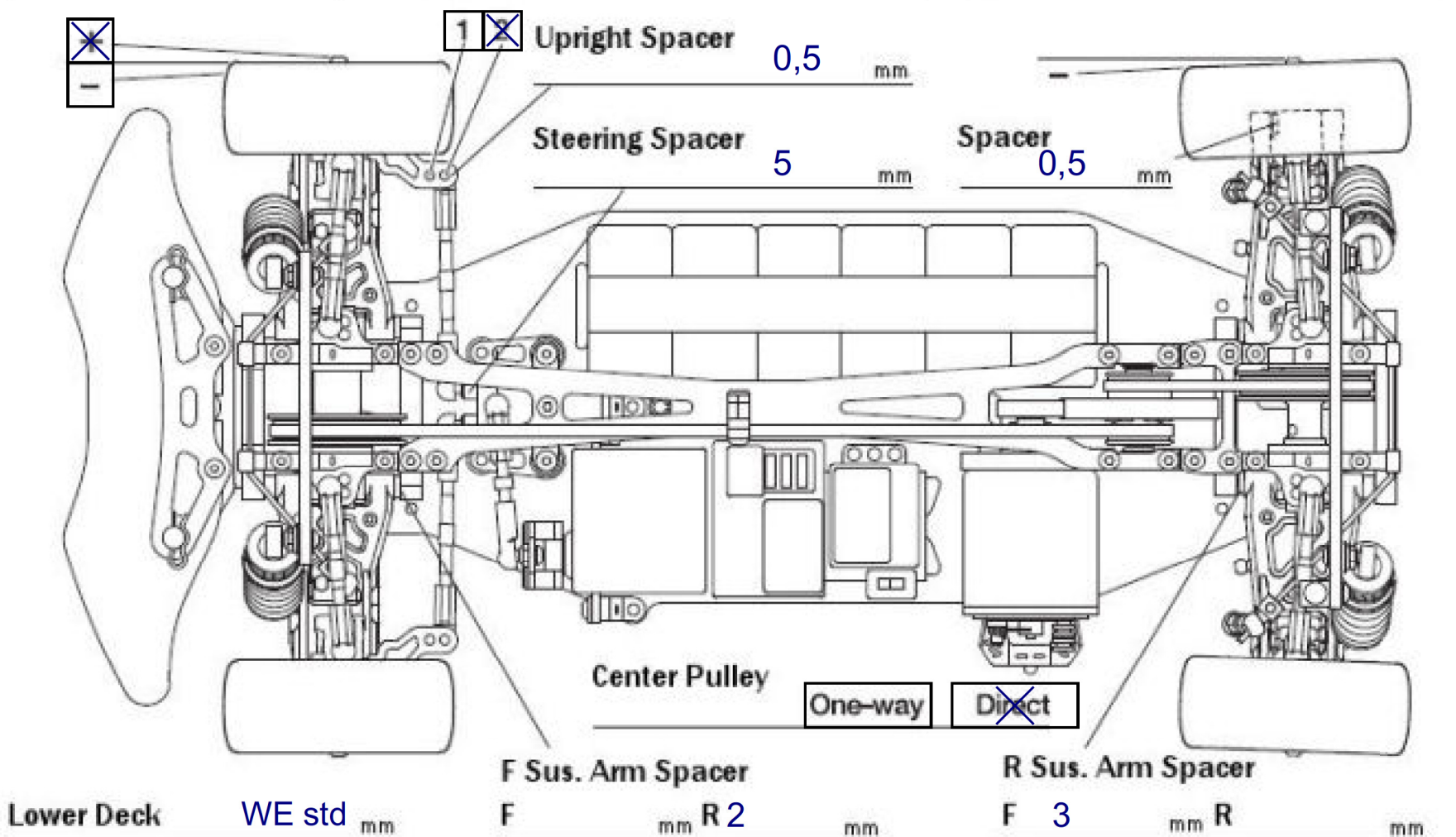
Rear Hub	0 °
Camber	1,5 °
Ride Height	4,8 mm
Droop	25 mm
Roll bar	None <input checked="" type="checkbox"/> M <input type="checkbox"/> H <input type="checkbox"/>
Wheel Spacer	0,5 mm
Upper Arm Spacer	3 mm



Shock Bushing	-	Piece(s)
Piston	3	Holes
Oil	UR50	Weight
Spring	Tamiya Blue	
Shock Length		mm
Wheel Hex	4	mm
Rebound	3mm	%

CS High Grip additive, 40min rear, 20-10min in front, 80g weight under battery

Toe Angle	2 °	F Sus. Mount	F <input checked="" type="checkbox"/> D <input type="checkbox"/> R <input checked="" type="checkbox"/> D	R Sus. Mount	F <input checked="" type="checkbox"/> X <input type="checkbox"/> R <input checked="" type="checkbox"/> F
-----------	-----	--------------	--	--------------	--



Motor	SP 13,5t v3.0
Spur	Pinion
Battery	LRP 5300 40c
Body	PF Mazdaspeed6 LW
Wing	std
Tire	LRP CPX
Wheel	LRP
Insert	LRP
Best Lap	16.486