

TRF416

TAMIYA RACING FACTORY

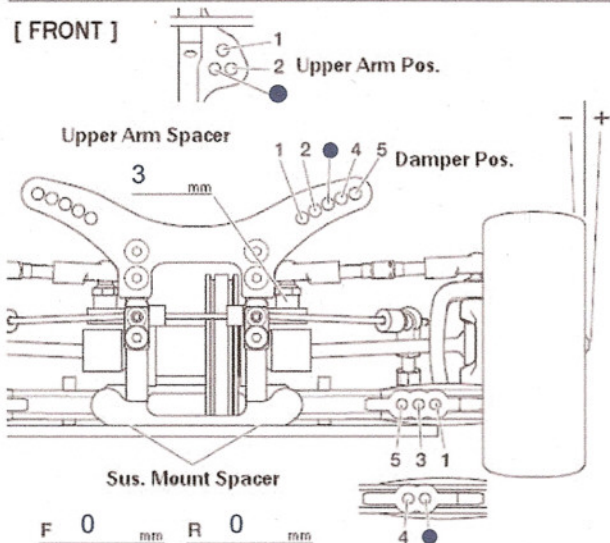
CHASSIS KIT

1/10 SCALE R/C 4WD RACING CAR
TRF416 CHASSIS KIT

SETTING SHEET

| | | | |
|---------------------|-------------------|------------|----------|
| Name | Date | Air Temp. | Humidity |
| Christoph Schweizer | 7. September 2008 | | |
| Track | Track Condition | Track Temp | |
| Frontenex - Genève | | | |

[FRONT]



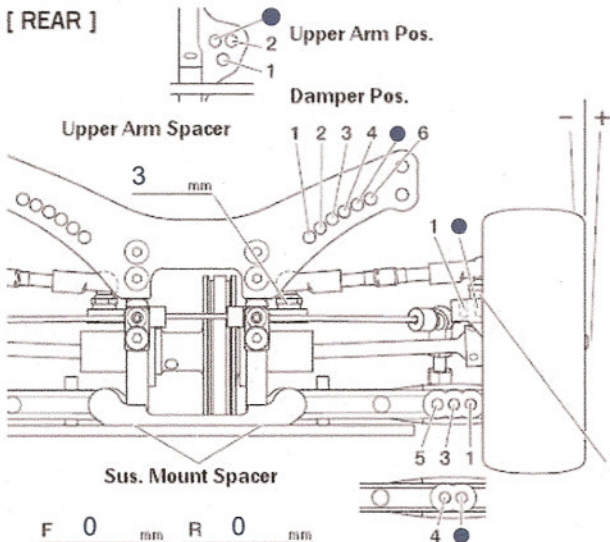
| | |
|---------------|--|
| Castor Blocks | <input type="checkbox"/> 2 <input checked="" type="checkbox"/> |
| Camber | 1,5 ° |
| Ride Height | 5,0 mm |
| Drop | 5,0 mm |
| Front Axle | <input checked="" type="checkbox"/> One-way <input type="checkbox"/> Diff <input type="checkbox"/> Spool |
| Roll bar | None <input type="checkbox"/> S <input type="checkbox"/> M <input checked="" type="checkbox"/> |
| Wheel Spacer | 1 mm |



| | | |
|---------------|--------------|----------|
| Shock Bushing | --- | Piece(s) |
| Piston | 3 | Holes |
| Oil | 400 cps | Weight |
| Spring | Tamiya weiss | |
| Shock Length | mm | |
| Wheel Hex | mm | |
| Rebound | % | |

Notes
Evo5-Schwinger

[REAR]



| | |
|------------------|---|
| Rear Hub | ° |
| Camber | 1,5 ° |
| Ride Height | 5,5 mm |
| Drop | 4 mm |
| Roll bar | None <input checked="" type="checkbox"/> M <input type="checkbox"/> H |
| Wheel Spacer | 0,5 mm |
| Upper Arm Spacer | 3 mm |



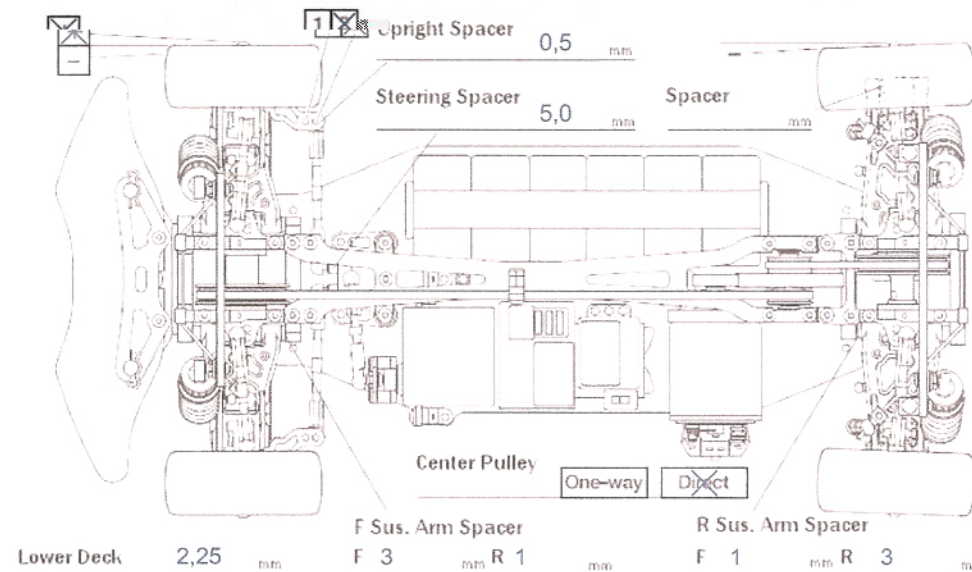
| | | |
|---------------|-------------|----------|
| Shock Bushing | --- | Piece(s) |
| Piston | 3 | Holes |
| Oil | 400 cps | Weight |
| Spring | Tamiya blau | |
| Shock Length | mm | |
| Wheel Hex | mm | |
| Rebound | % | |

Evo5-Schwinger

Toe Angle 1 °

F Sus. Mount F 1C R 1C

R Sus. Mount F 1XB R 1D



| | | |
|----------|-------------------|------|
| Motor | Orion 19T SRCCA | |
| Spur | Pinion | |
| | 105 T | 43 T |
| Battery | EP 4200 Boomerang | |
| Body | MazdaSpeed 6 | |
| Wing | Standard | |
| Tire | CS27 Komplettrad | |
| Wheel | | |
| Insert | | |
| Best Lap | | |