

TRF416

TAMIYA RACING FACTORY

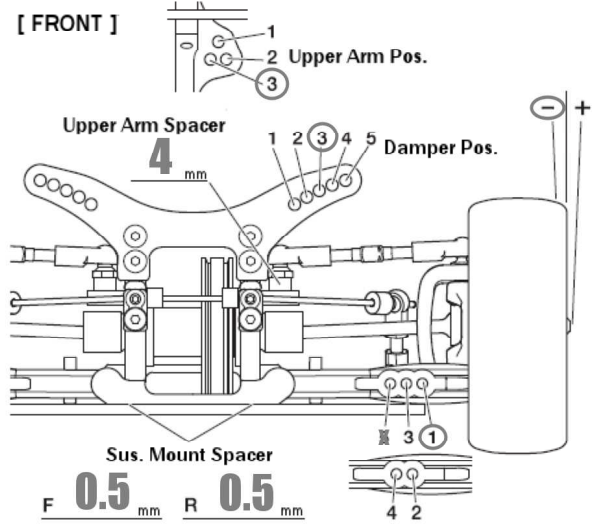
CHASSIS KIT
1/10 SCALE R/C 4WD RACING CAR
TRF416 CHASSIS KIT

SETTING SHEET

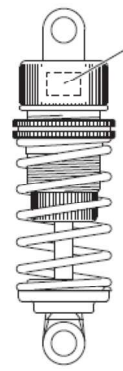
Name **Ed Clark** Date **18-19/12/10** Air Temp. _____ Humidity _____

Track **GuChi Cup 2010** Track Condition **Medium** Track Temp **10-15**

[FRONT]



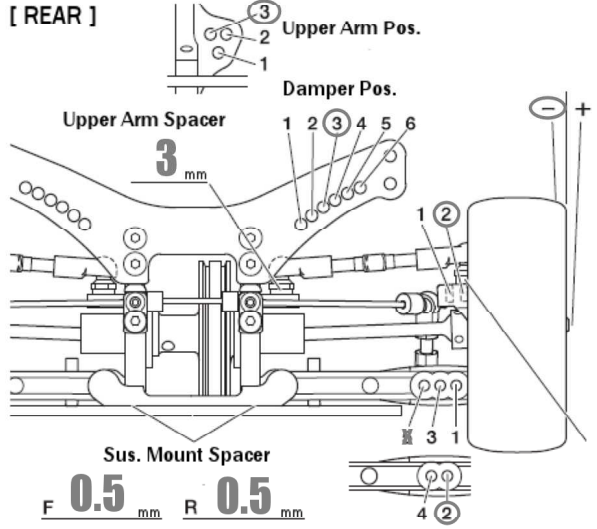
Castor Blocks	2' 4'
Camber	1.5 °
Ride Height	5 mm
Drop	#5 mm
Front Axle	One-way Diff Spool
Roll bar	None S (M) H
Wheel Spacer	0.5 mm



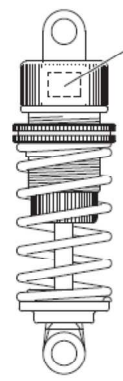
Shock Bushing	0 Piece(s)
Piston	3 Holes
Oil	MM450 weight
Spring	Pink
Shock Length	61.5 mm
Wheel Hex	4 mm
Rebound	2 mm %

Notes
No Steering brace screw, drilled shock cap

[REAR]



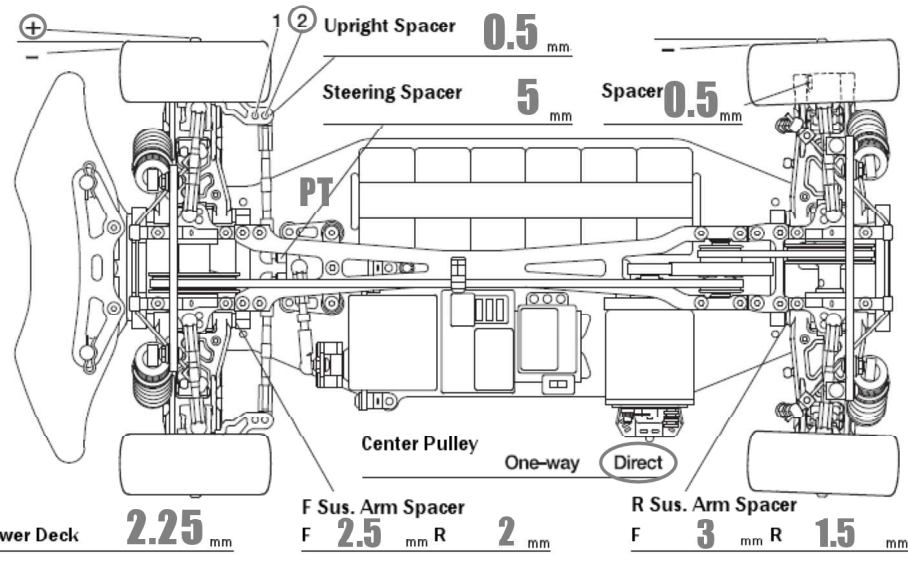
Rear Hub	0 °
Camber	2.0 °
Ride Height	5.5 mm
Drop	#4 mm
Roll bar	None (S) M H
Wheel Spacer	0.5 mm
Upper Arm Spacer	3.0 mm



Shock Bushing	0 Piece(s)
Piston	3 Holes
Oil	MM450 weight
Spring	Silver
Shock Length	61.5 mm
Wheel Hex	4 mm
Rebound	2 mm %

416X LiPo Chassis, Gear Diff 1000wt

Toe Angle **0.5** ° F Sus. Mount **1C** R **1C** R Sus. Mount **1XA** R **1E**



Motor	MMH 17.5
Spur	Pinion 104 T 27 T
Battery	IP 5000 50C
Body	LTC-R Lwt
Wing	Std
Tire	Sorex32R / Sweep24
Wheel	
Insert	
Best Lap	6.28