

# TRF416

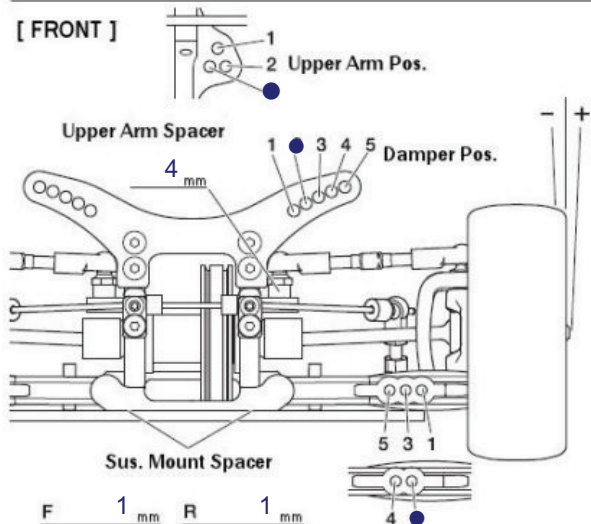
TAMIYA RACING FACTORY

CHASSIS KIT  
1/10 SCALE R/C 4WD RACING CAR  
TRF416 CHASSIS KIT

## SETTING SHEET

Name	Date	Air Temp.	Humidity
Art Scrimo	2/14/10		
Track	Track Condition	Track Temp	
CORRC	Medium Carpet		

[ FRONT ]



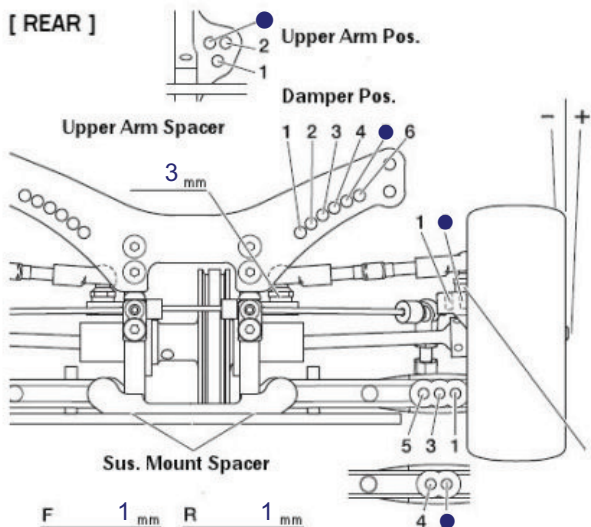
Caster Blocks	2' <input checked="" type="checkbox"/>
Camber	-1 °
Ride Height	5.5 mm
Drop	1.5 ORH mm
Front Axle	One-way <input type="checkbox"/> Diff <input type="checkbox"/> Spoel <input checked="" type="checkbox"/>
Roll bar	None <input type="checkbox"/> S <input checked="" type="checkbox"/> H <input type="checkbox"/>
Wheel Spacer	.5 mm



Shock Bushing	Piece(s)
Piston	3 Hole Holes
Oil	Losi 45 Weight
Spring	Tam White
Shock Length	mm
Wheel Hex	4 mm
Rebound	0 %

Notes  
Aluminum C-Hubs

[ REAR ]



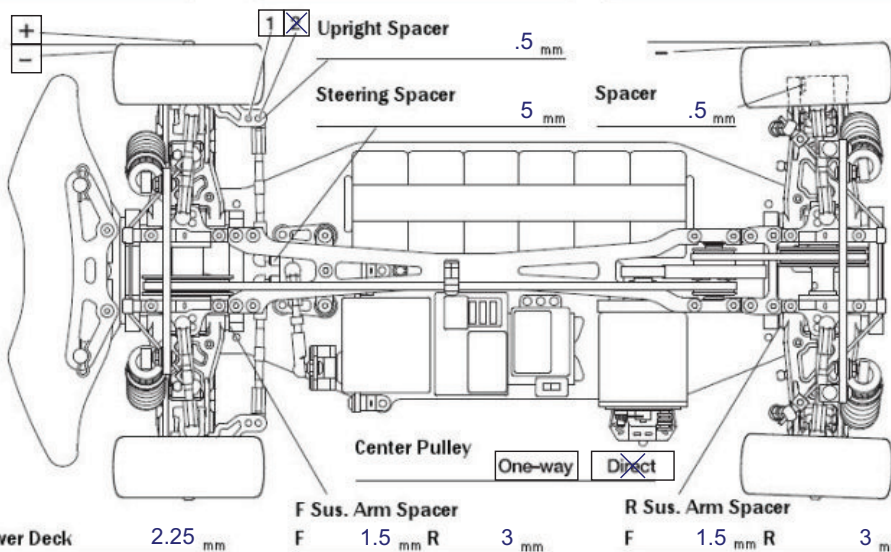
Rear Hub	0 °
Camber	-2 °
Ride Height	5.5 mm
Drop	1.5 ORH mm
Roll bar	None <input type="checkbox"/> S <input type="checkbox"/> M <input type="checkbox"/> H <input type="checkbox"/>
Wheel Spacer	0 mm
Upper Arm Spacer	3 mm



Shock Bushing	Piece(s)
Piston	3 Hole Holes
Oil	Losi 45 Weight
Spring	Tam Yellow
Shock Length	mm
Wheel Hex	4 mm
Rebound	0 %

416X Chassis

Toe Angle	0 °	F Sus. Mount	F 1C R 1C	R Sus. Mount	F XA R 1E
-----------	-----	--------------	-----------	--------------	-----------



Motor	DUO2 13.5
Spur	Pinion
	105 T 31 T
Battery	IP5000
Body	Mazda Speed6
Wing	Std
Tire	Jaco Blue
Wheel	
Insert	
Best Lap	