

TRF416

TAMIYA RACING FACTORY

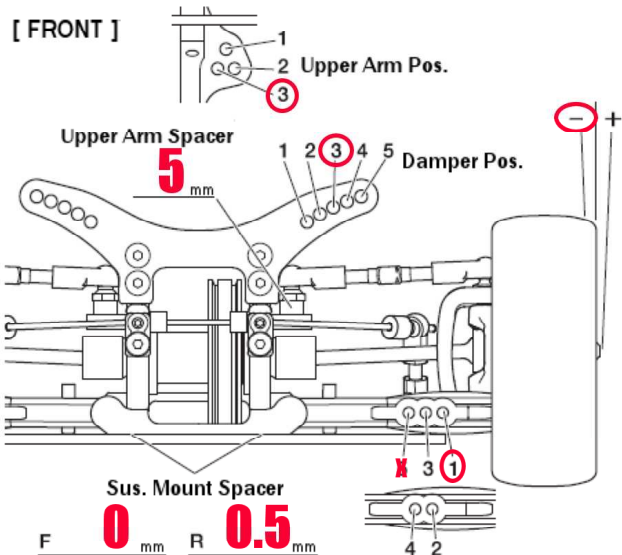
CHASSIS KIT
1/10 SCALE R/C 4WD RACING CAR
TRF416 CHASSIS KIT

SETTING SHEET

Name **Ed Clark** Date _____ Air Temp. _____ Humidity _____

Track **Newbury N.O.W Rd3** Track Condition _____ Track Temp _____

[FRONT]

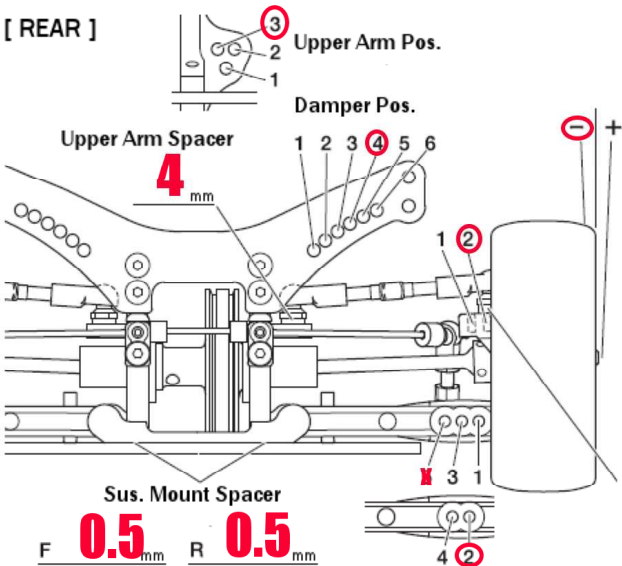


Castor Blocks	2' 4'
Camber	1.5 °
Ride Height	5.0 mm
Droop	#6.5 mm
Front Axle	One-way Diff Spool
Roll bar	None S M H
Wheel Spacer	1.0 mm
Notes	Short LWT arms Carbon steering brace



Shock Bushing	0 Piece(s)
Piston	3 Holes
Oil	MM500 Weight
Spring	Tam White
Shock Length	62.0 mm
Wheel Hex	4.0 mm
Rebound	2mm %

[REAR]

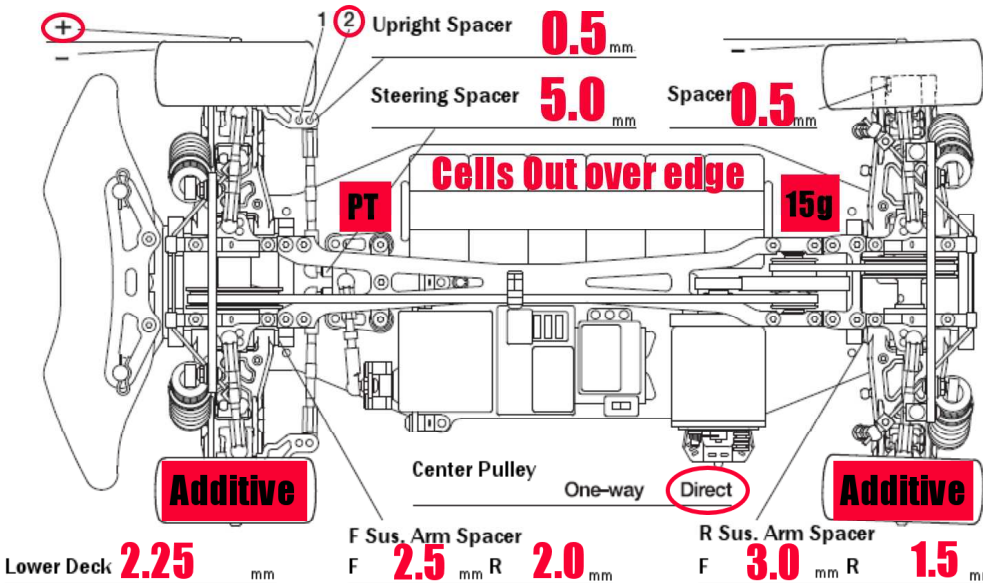


Rear Hub	0 °
Camber	1.5 °
Ride Height	5.5 mm
Droop	#5.5 mm
Roll bar	None S M H
Wheel Spacer	1.0 mm
Upper Arm Spacer	3 mm



Shock Bushing	0 Piece(s)
Piston	3 Holes
Oil	MM500 Weight
Spring	Tam Blue
Shock Length	62.0 mm
Wheel Hex	4.0 mm
Rebound	2mm %

Toe Angle **1.0** ° F Sus. Mount F **1C** R **1C** R Sus. Mount F **1XA** R **1E**



Moto	SP Comp3 10.5t
Spur	Pinion 104_T 36_T
Battery	IP5000
Body	Speed 6
Wing	Standard
Tire	Vtec 27
Wheel	LRP additive
Insert	ESC - SP GT 2.0 Pro
Best Lap	