

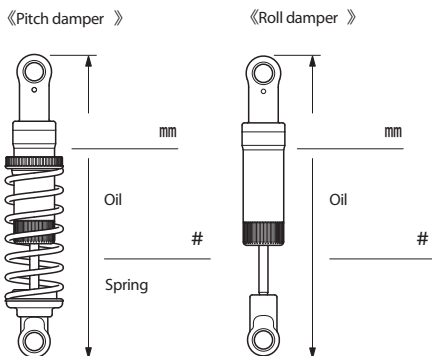
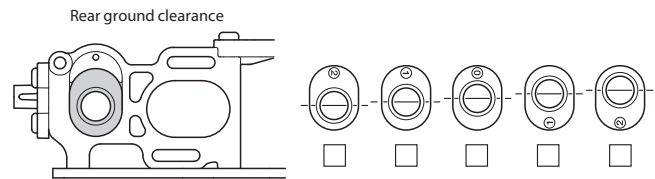
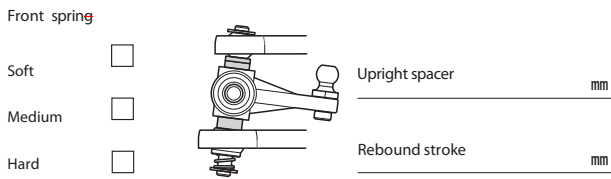
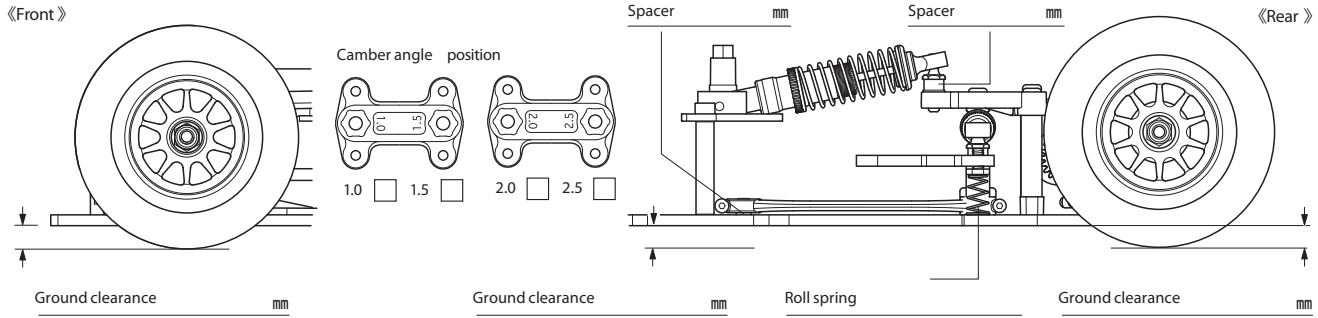
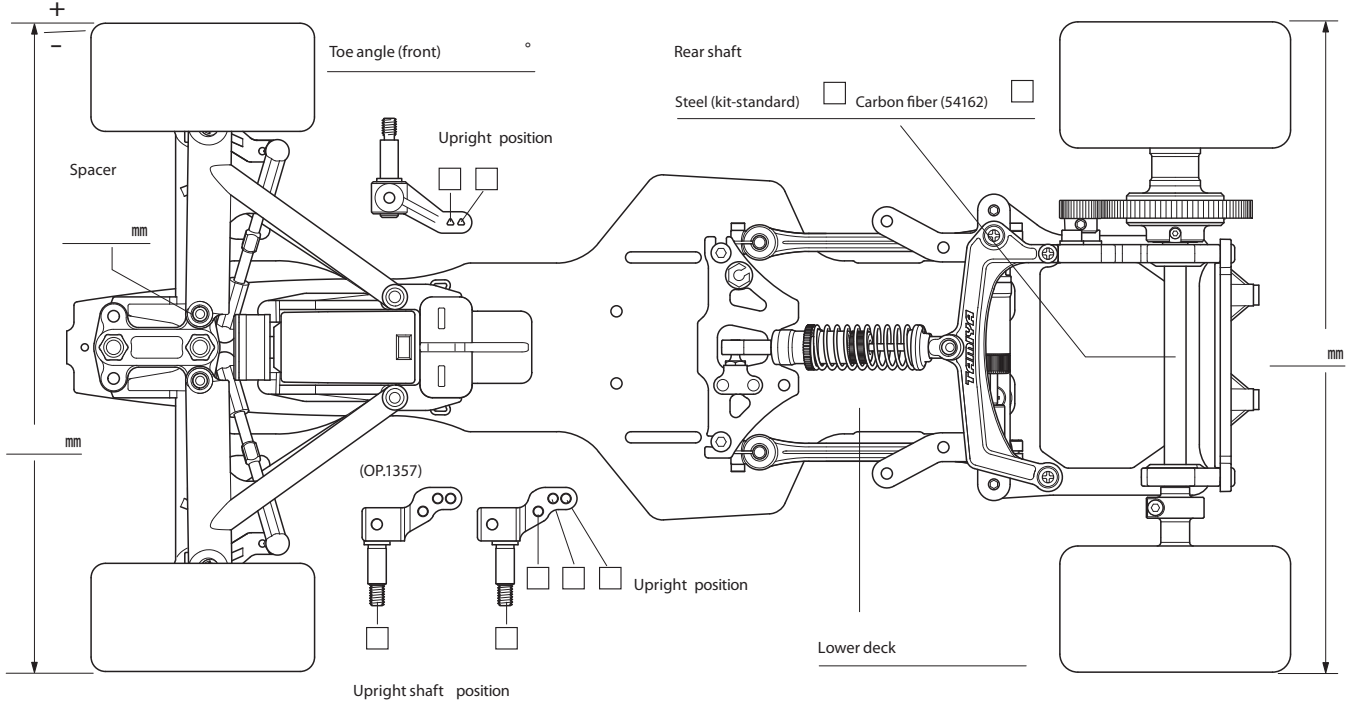
# F104 VET I PRO

1/10 SCALE R/C HIGH PERFORMANCE RACING CAR CHASSIS KIT

SETTING SHEET  
Ver 1.00

Name \_\_\_\_\_ Date \_\_\_\_\_ Air temp. \_\_\_\_\_ Humidity \_\_\_\_\_

Track \_\_\_\_\_ Asphalt  Carpet  Track condition \_\_\_\_\_ Track temp. \_\_\_\_\_



Motor \_\_\_\_\_ Spur gear \_\_\_\_\_ T \_\_\_\_\_ Pinion gear \_\_\_\_\_ T \_\_\_\_\_

Front wheel \_\_\_\_\_ Front tire \_\_\_\_\_ Front tire diameter \_\_\_\_\_ mm

Rear wheel \_\_\_\_\_ Rear tire \_\_\_\_\_ Rear tire diameter \_\_\_\_\_ mm

Body \_\_\_\_\_ Front wing \_\_\_\_\_ Rear wing \_\_\_\_\_

Battery \_\_\_\_\_ Best lap \_\_\_\_\_

Memo \_\_\_\_\_