

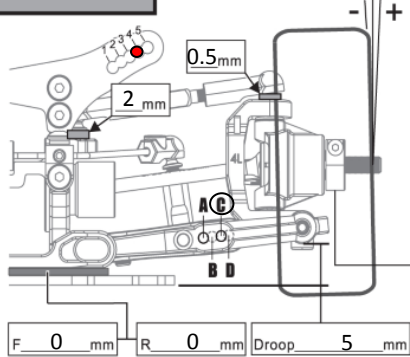


Setup Sheet



Name: Vincent Van Gansen Date: 22-24 July 2016 Event: Benelux Race 2016 (PRO STOCK)
 Track: Rucphen Track Condition: Medium/Asphalt Lap Time: 16.607 Final Position: 3

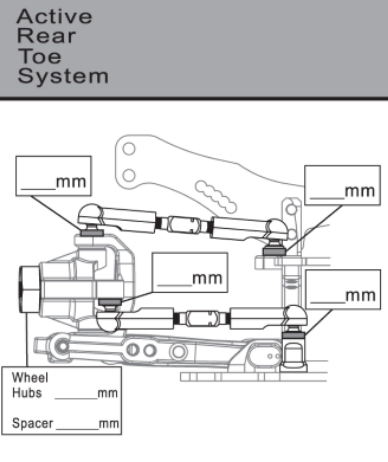
Front



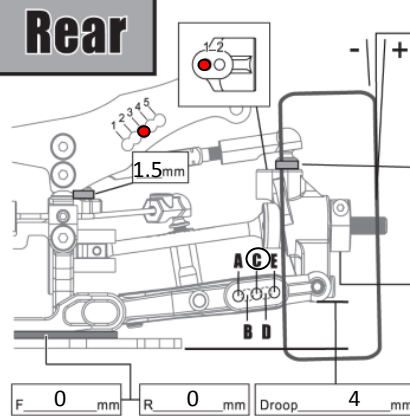
Camber Angle \pm -1.5° Front Diff Gear Spool
 Caster Angle 4° Diff Oil # _____
 Ride Height 5 mm
 Sway Bar \varnothing 1.4 mm
 Wheel Hubs 4 mm Spacer _____ mm
 1 mm

Shocks
 Shock Oil # 400
 Piston 1.1
 O-ring Yokomo
 Rebound 0
 Spring Spec-R 2.7
 Length _____ mm

A.R.T.SYSTEM

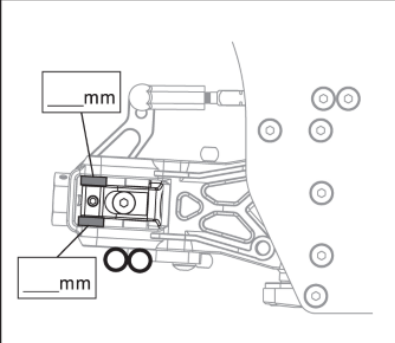


Rear

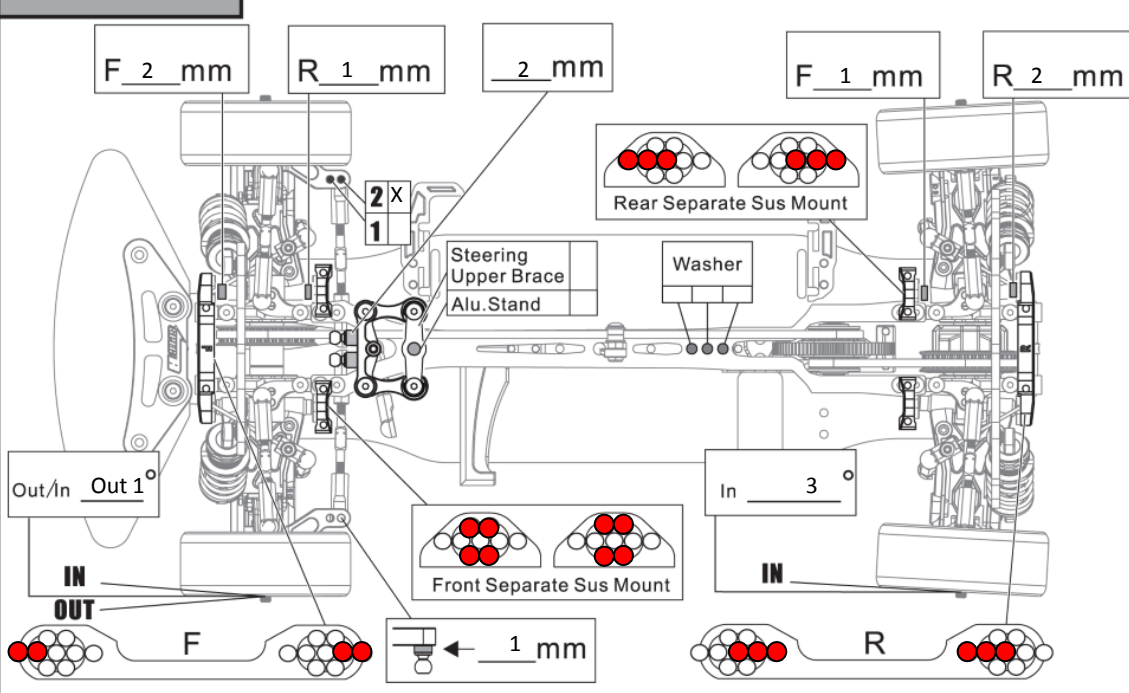


Camber Angle \pm -2° Rear Diff Oil # 2000
 Ride Height 5 mm Shim 2 mm
 Sway Bar \varnothing 1.3 mm
 Wheel Hubs 5 mm Spacer _____ mm
 1 mm

Shocks
 Shock Oil # 400
 Piston 1.1
 O-ring Yokomo
 Rebound 0
 Spring Spec-R 2.6
 Length _____ mm



Chassis



Tires

Brand: Volante
 Compound: 36
 Insert: Volante
 Wheel: Volante

Others

Motor: HW V10 G2 (10.5)
 Spur Gear: 80
 Pinion Gear: 27
 Battery: ORCA HV 6200MAH 100C
 ESC: Muchmore Fleta euro
 Body: Montech EVO
 Wing: MR33 (1mm)

	Front			Rear		
	Soft	Hard	Alu.	Soft	Hard	Alu.
C-Hub	X					
Steering Block		X				
Rear-Hub				X		
Arm	X			X		

Note: -Floating steering
 -Spec-R long springs