



S11

1/10 ELECTRIC TOURING CAR

INSTRUCTION MANUAL







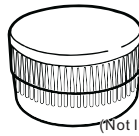


SPEED

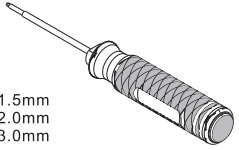
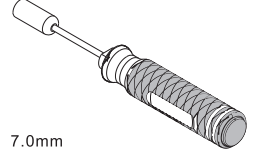
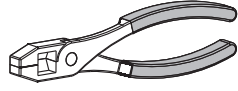
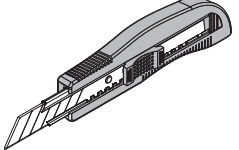
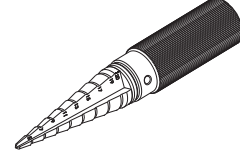
Contents

Content	Page	Content	Page	Content	Page
0.Tool and Accessories	1	15.Drive Shaft Assembly (50 ,52mm)	9	29.Rear Body Mount Installation	16
1.Filing the Edges of the Chassis	2	16.Front Hub Carrier Assembly	10	30.Radio Connections	16
2.Bulkhead Installation	2	17.Front Suspension Installation	10	31.Steering Servo Assembly	17
3.Spur Gear Assembly	3	18.Rear Carrier Assembly	11	32.Steering Servo Installation	17
4.Front Spool Assembly	3	19.Rear Suspension Installation	11	33.R/C Unit Installation	18
5.Gear Differential Assembly	4	20.Upper Arm and Steering Rod Assembly	12	34.Motor Installation	18
6.Drive Train Installation	5	21.Upper Arm Installation	12	35.Battery Holder Installation	19
7.Front Shock Mount	5	22.Steering Rod Installation	13	36.Battery Installation	19
8.Rear Shock Mount	6	23.Shock Parts Assembly	13	37.Body Installation	20
9.Steering Crank Assembly	6	24.Shock Assembly	14	Gear Ratio	20
10.Upper Deck Installation	7	25.Front Shock Installation	14	Setting Sheet	21
11.Front Suspension Arm Assembly	7	26.Rear Shock Installation	14		
12.Front Suspension Installation	8	27.Front Body Mount Installation	15		
13.Rear Suspension Arm Assembly	8	28.Bumper Installation	15		
14.Rear Suspension Installation	9				


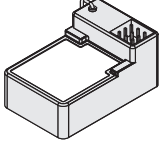
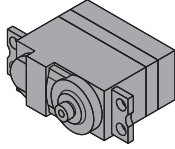
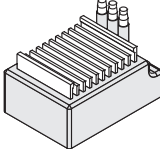
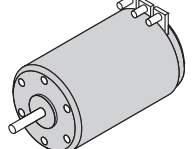
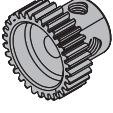
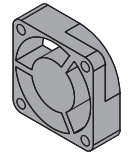
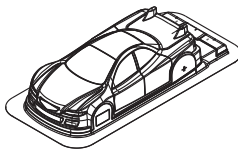
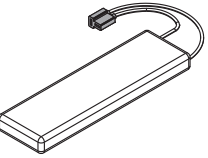
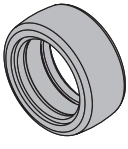
Symbols Used

<p>Part Bags Need</p> 	<p>Assemble Left and Right sides the same way</p> 	<p>Pay attention here</p> 	<p>Apply Thread Lock</p>  <p>(Not Included)</p>	<p>Apply CA glue</p>  <p>(Not Included)</p>
			<p>Apply Silicone Oil</p> 	<p>Apply grease</p>  <p>(Not Included)</p>

Tools Required

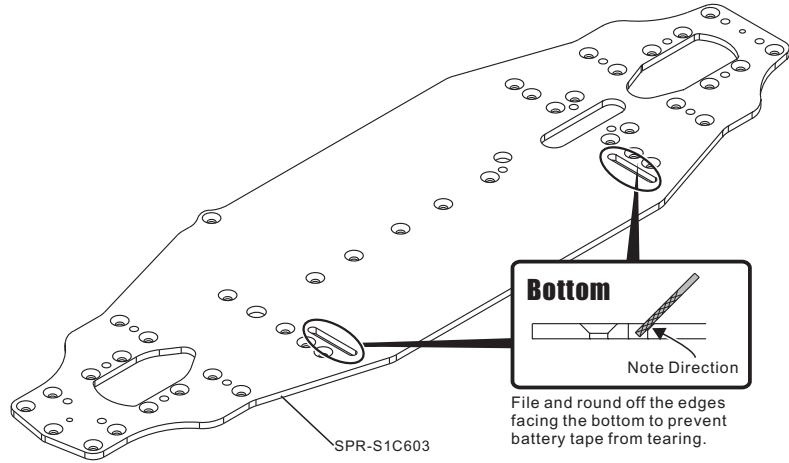
 <p>1.5mm 2.0mm 3.0mm</p> <p>Hex wrench (Not Included)</p>	 <p>7.0mm</p> <p>Hex wrench (Not Included)</p>	 <p>Pliers (Not Included)</p>	 <p>Modeling Knife (Not Included)</p>	 <p>Reamer (Not Included)</p>
-----------------------------------------------------------------------------------------------------------------------------------------------------------	---------------------------------------------------------------------------------------------------------------------------------------	----------------------------------------------------------------------------------------------------------------------	-------------------------------------------------------------------------------------------------------------------------------	------------------------------------------------------------------------------------------------------------------------

Equipment Required

 <p>Transmitter (Not Included)</p>	 <p>Receiver (Not Included)</p>	 <p>Steering Servo (Not Included)</p>	 <p>Speed Controller (Not Included)</p>	 <p>Electric Motor (Not Included)</p>
 <p>Pinion Gear (Not Included)</p>	 <p>30mm Fan (Not Included)</p>	 <p>Body Shell (Not Included)</p>	 <p>Battery (Not Included)</p>	 <p>Tires & Inserts (Not Included)</p>

A
Bag

1 Filing the Edges of the Chassis



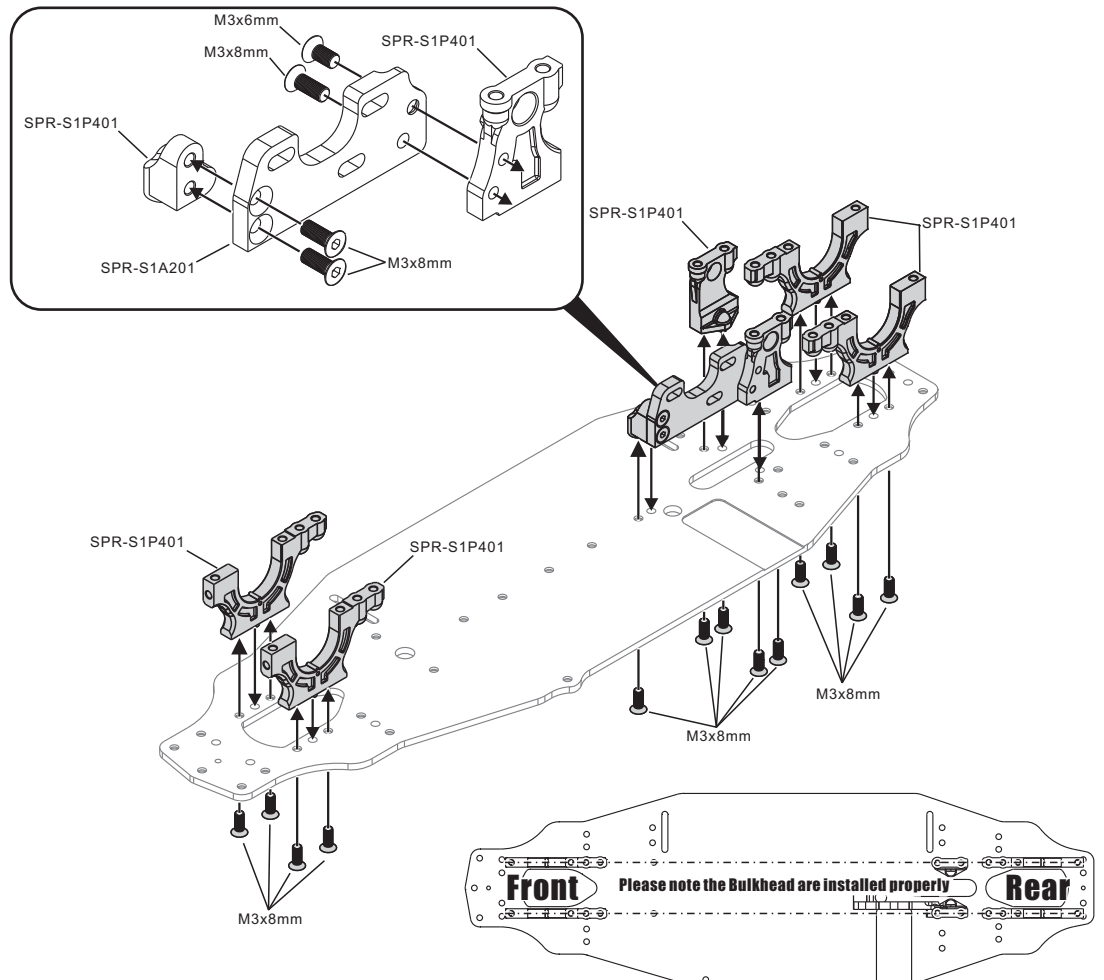
C + **J**
Bag Bag

M
Bag

x16
Flat Head Screw **M3x8mm**

x1
Flat Head Screw **M3x6mm**

2 Bulkhead Installation

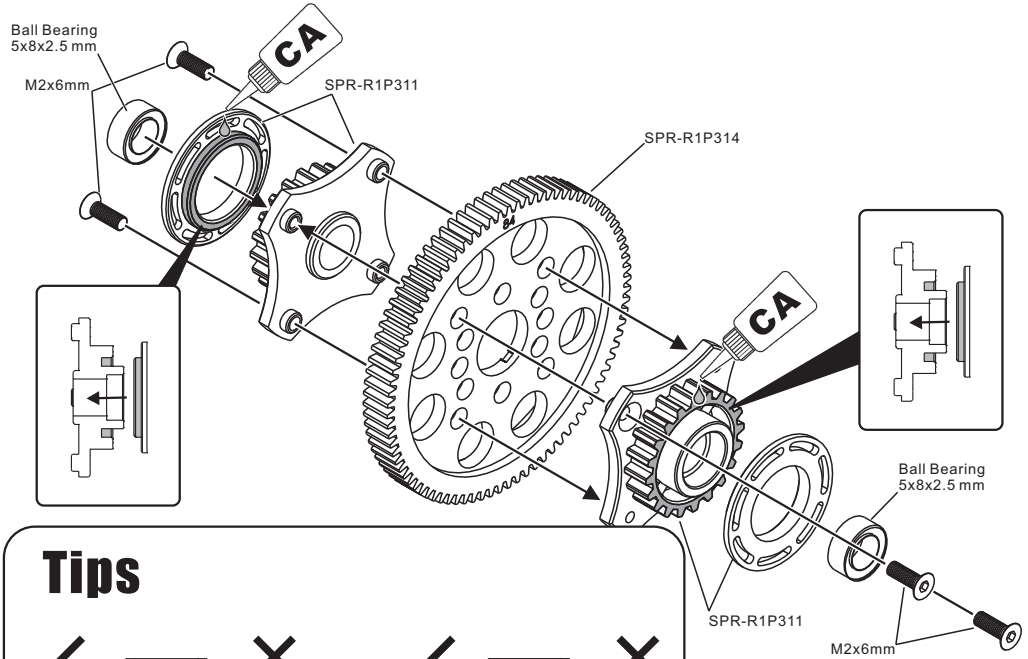




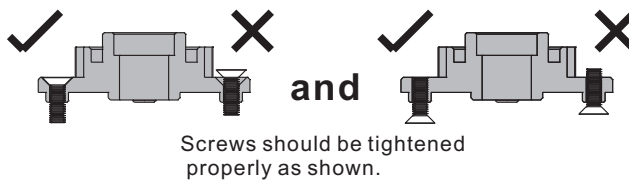
x4
Flat Head Screw **M2x6mm**

x2
Ball Bearing **5x8x2.5mm**

3 Spur Gear Assembly



Tips



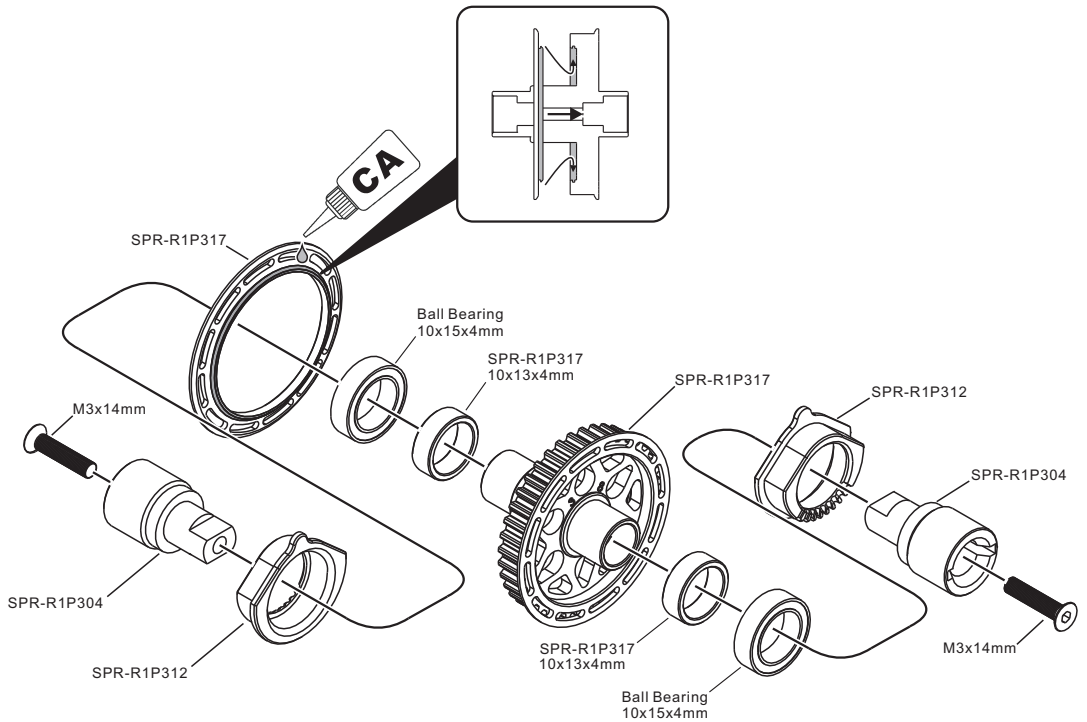
x2
Front Spool Outdrive Adapters

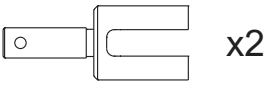
x2
Flat Head Screw **M3x14mm**

x2
Ball Bearing **10x15x4mm**

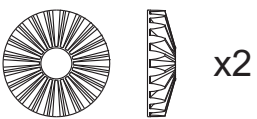
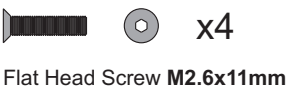
x2
Plastic Collar **10x13x4mm**

4 Front Spool Assembly





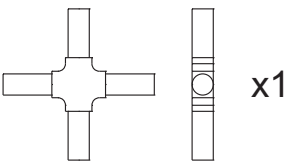
Gear Diff. Joint



Bevel Gear



Satellite Gear



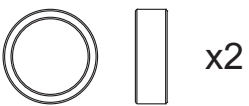
Gear Axial



Ball Bearing 10x15x4mm



Ball Bearing 4x7x2.5mm



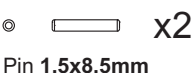
Plastic Collar 10x13x4mm



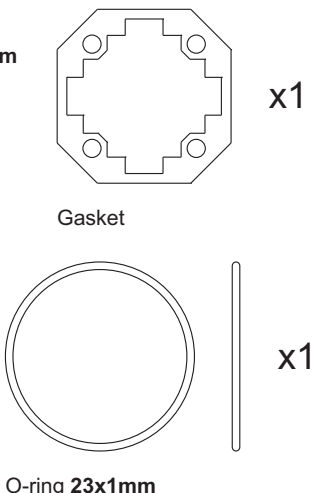
X-Ring



Shim 4x13x0.2mm



Pin 1.5x8.5mm

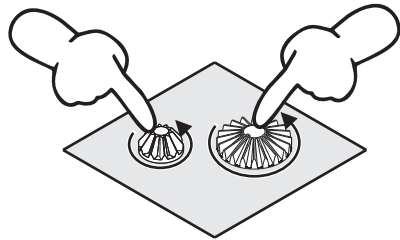


Gasket

O-ring 23x1mm

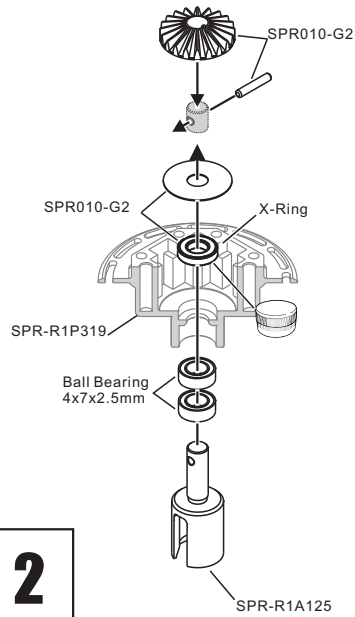
5

Gear Differential Assembly

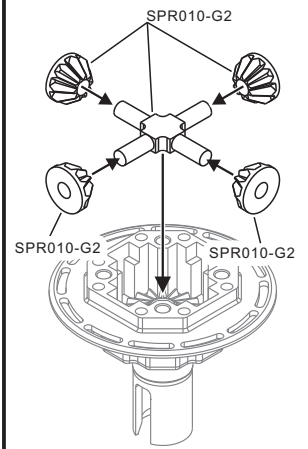


Recommend to give the gear a polish before assemble

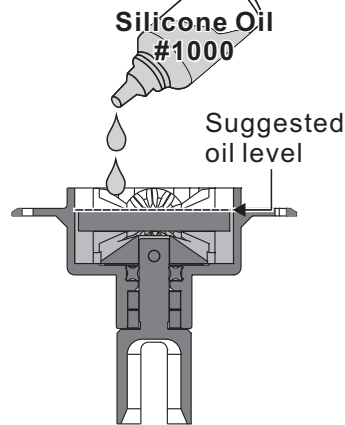
1



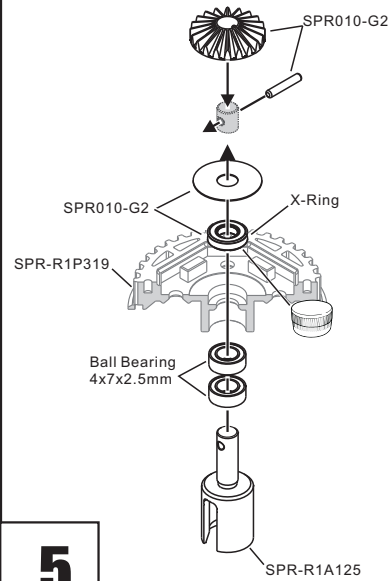
2



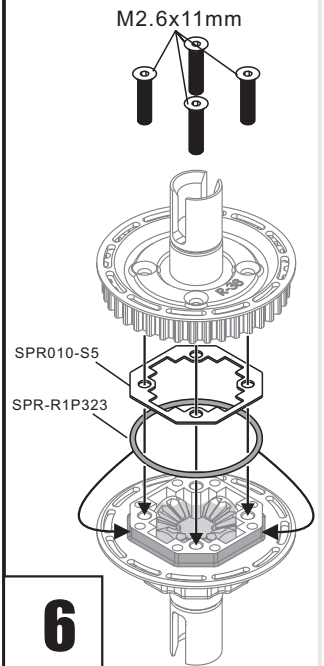
3



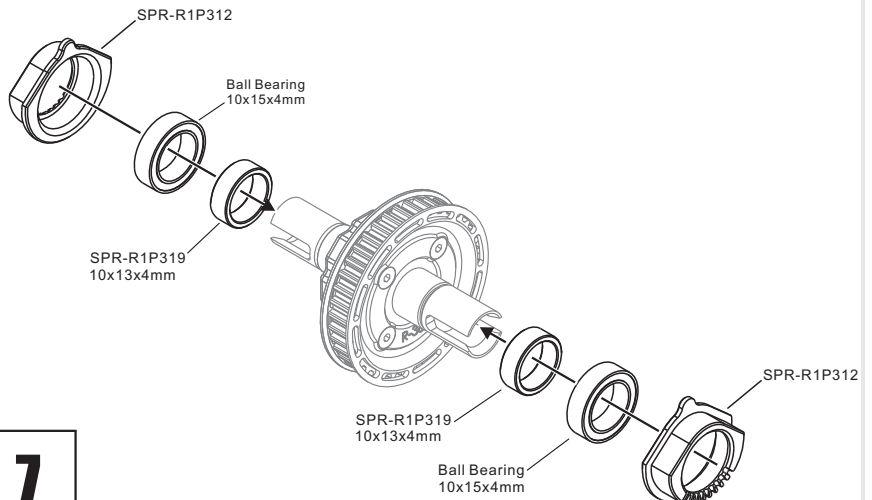
4



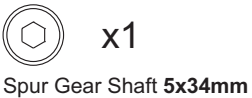
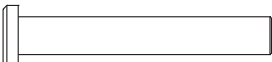
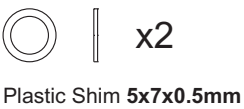
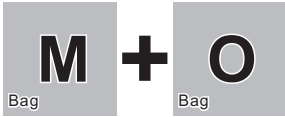
5



6

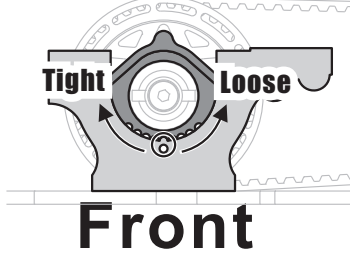


7

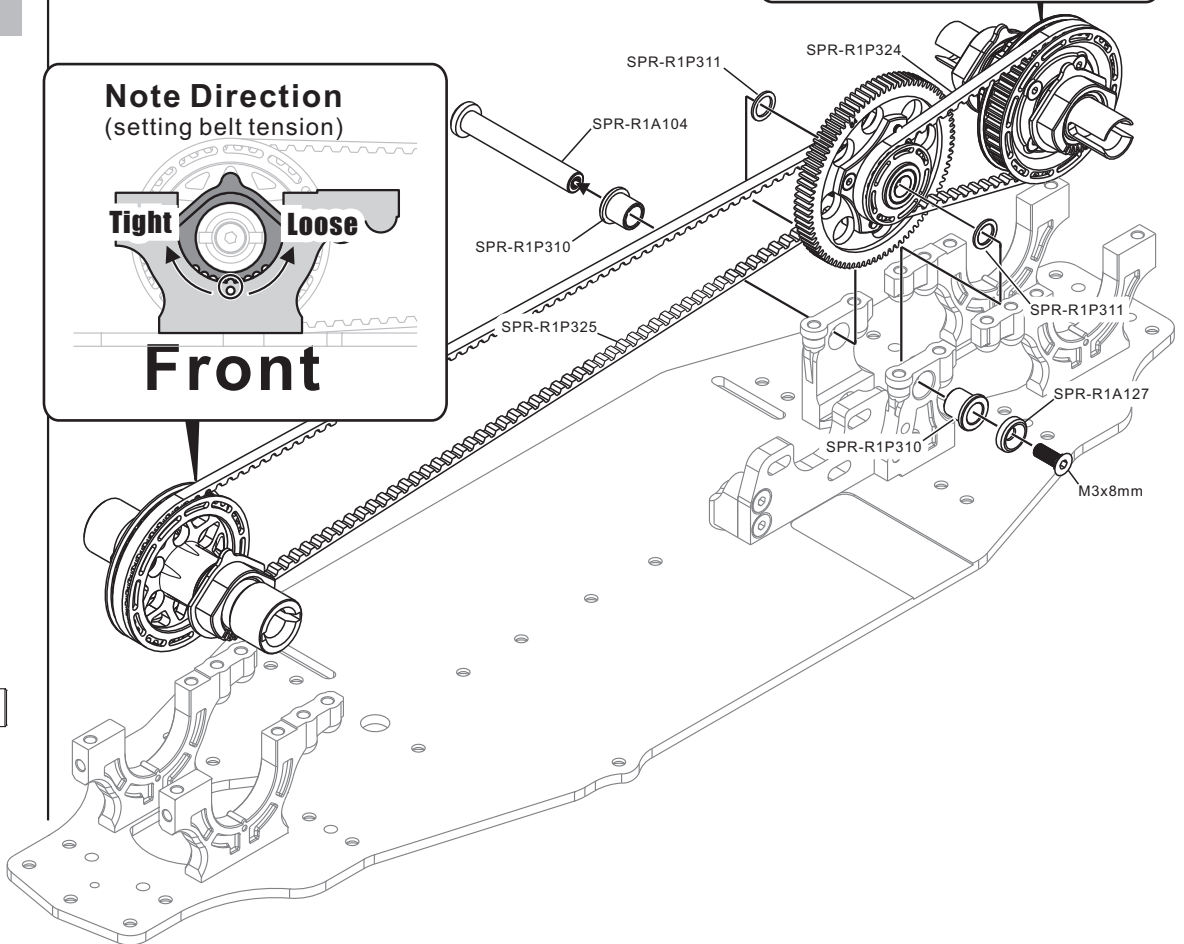
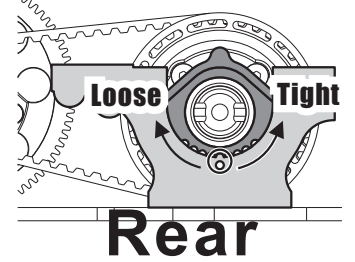


6 Drive Train Installation

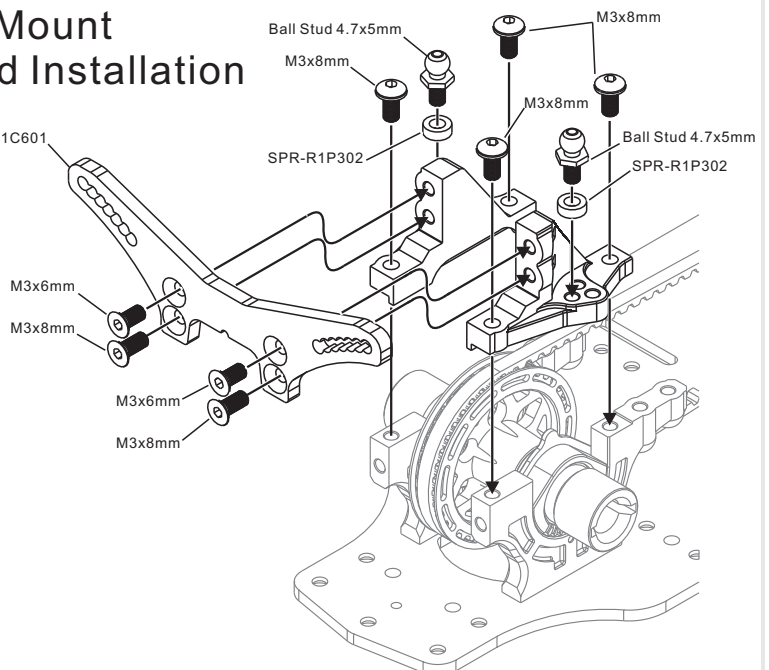
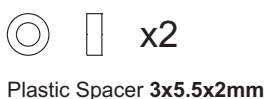
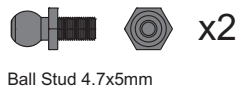
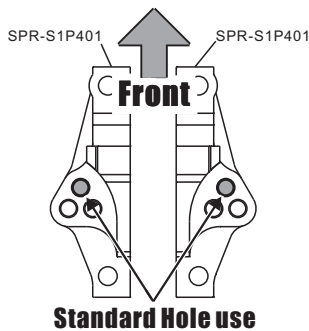
Note Direction
(setting belt tension)



Note Direction
(setting belt tension)



7 Front Shock Mount Assembly and Installation





Button Head Screw M3x8mm



Flat Head Screw M3x8mm



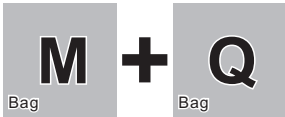
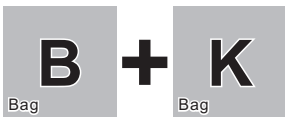
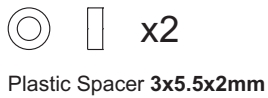
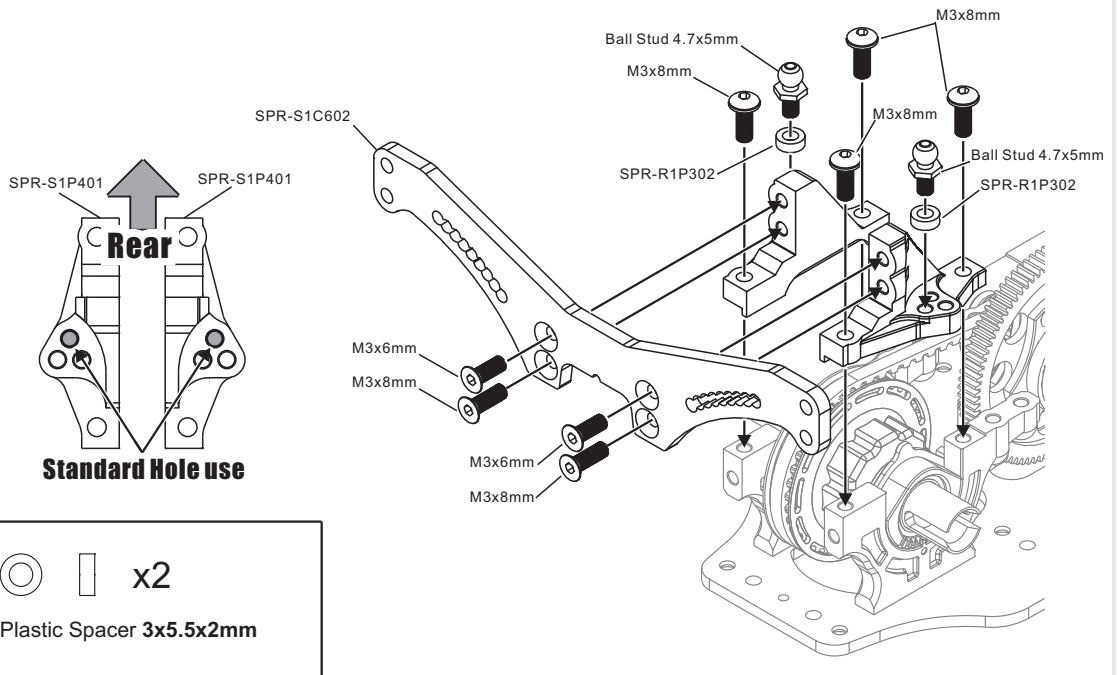
Flat Head Screw M3x6mm



Ball Stud 4.7x5mm

8

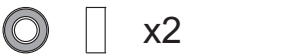
Rear Shock Mount Assembly and Installation



Button Head Screw M3x6mm



Flat Head Screw M3x6mm



Ball Bearing 3x6x2.5mm



Ball Bearing 5x8x2.5mm (Flanged)



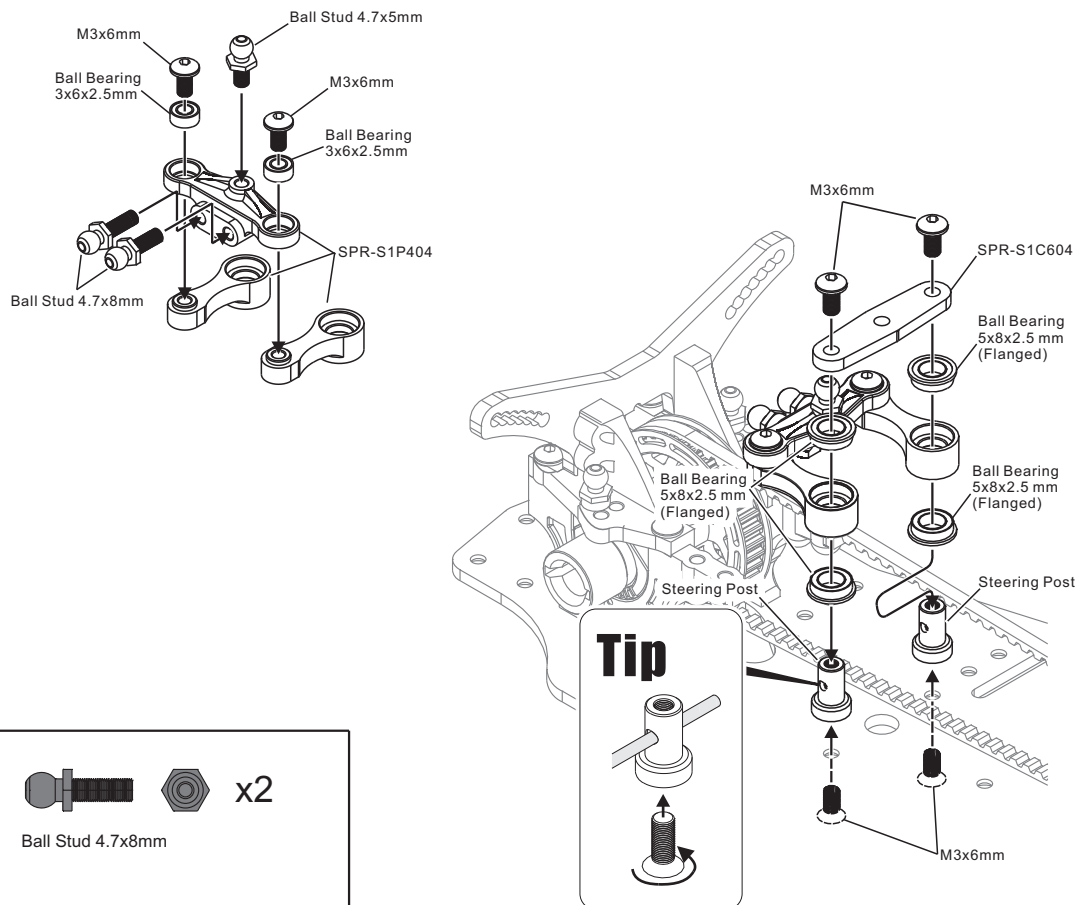
Steering Post





Ball Stud 4.7x5mm

9

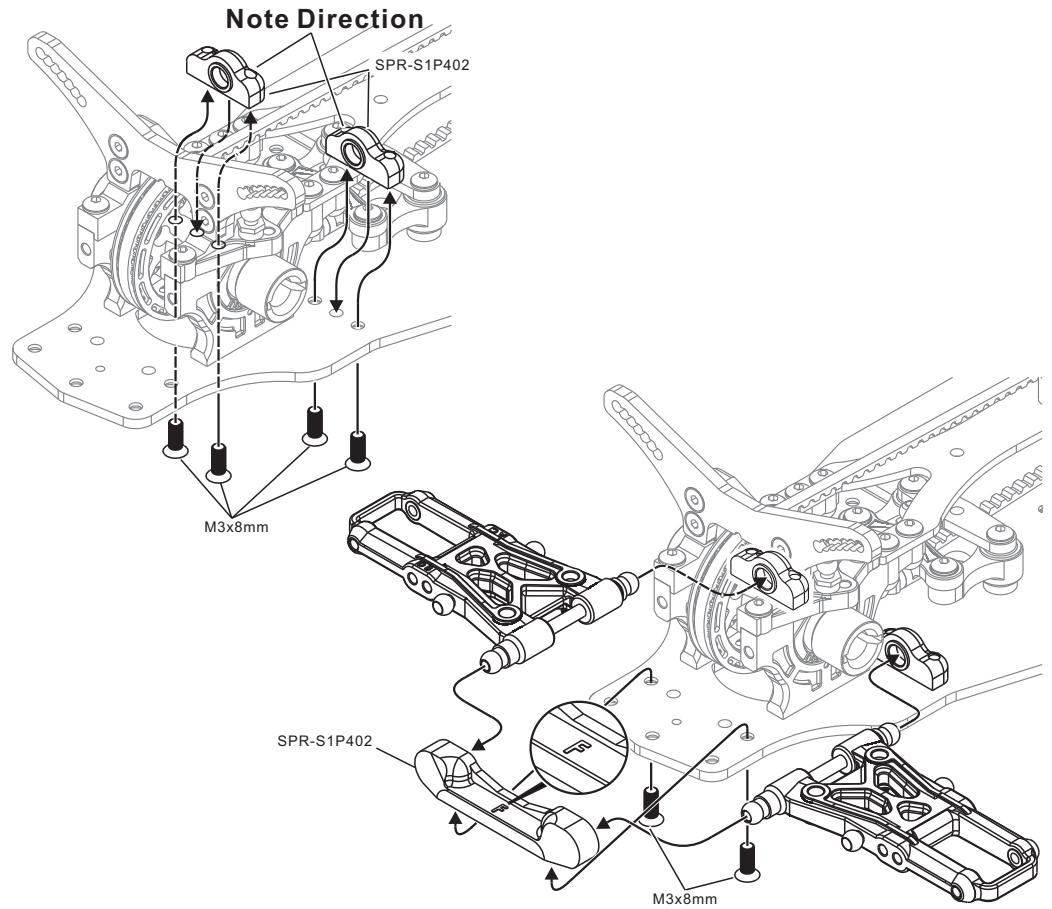
Steering Crank Assembly







 x6
 Flat Head Screw **M3x8mm**



12 Front Suspension Installation





 x2
 Set Screw **M4x8mm**

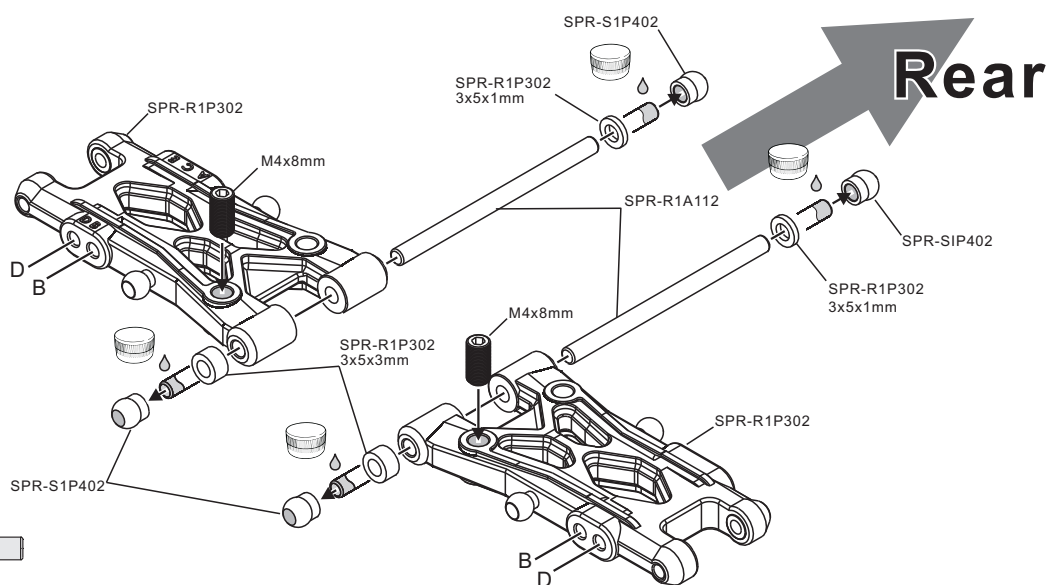
 x4
 Plastic Pivot Ball **3x5mm**


 x2
 Plastic Spacer **3x5x1mm**


 x2
 Plastic Spacer **3x5x3mm**

 x2
 Pivot Pin **3x46mm**

13 Rear Suspension Arm Assembly

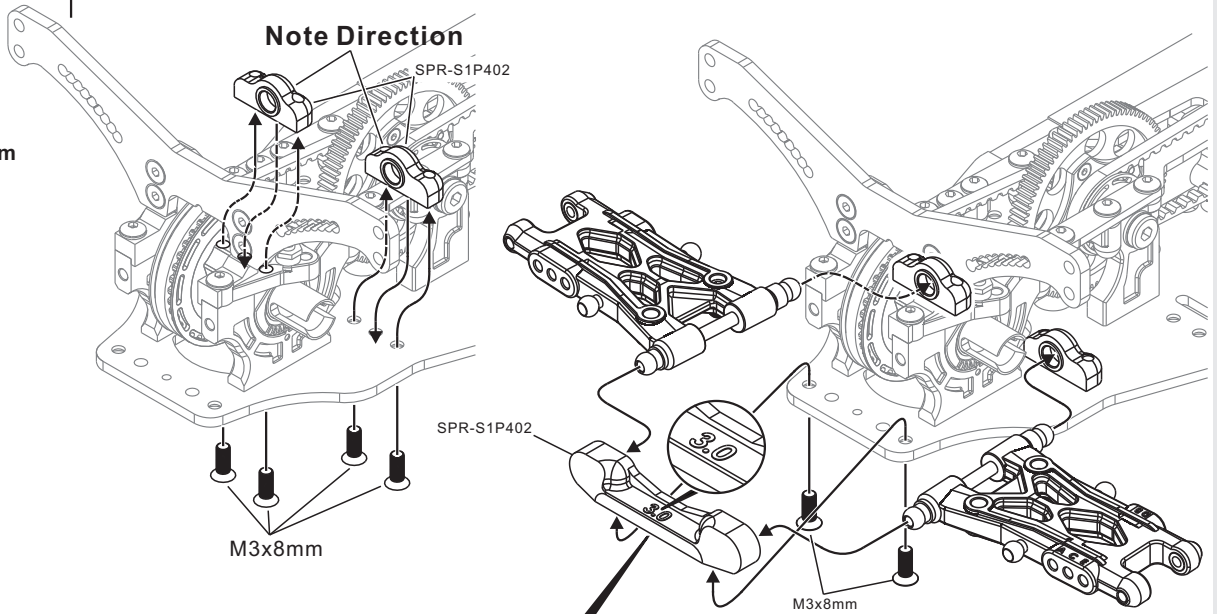


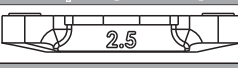
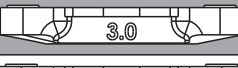
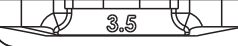
G + **M**
 Bag Bag

14

Rear Suspension Installation

  x6
 Flat Head Screw **M3x8mm**



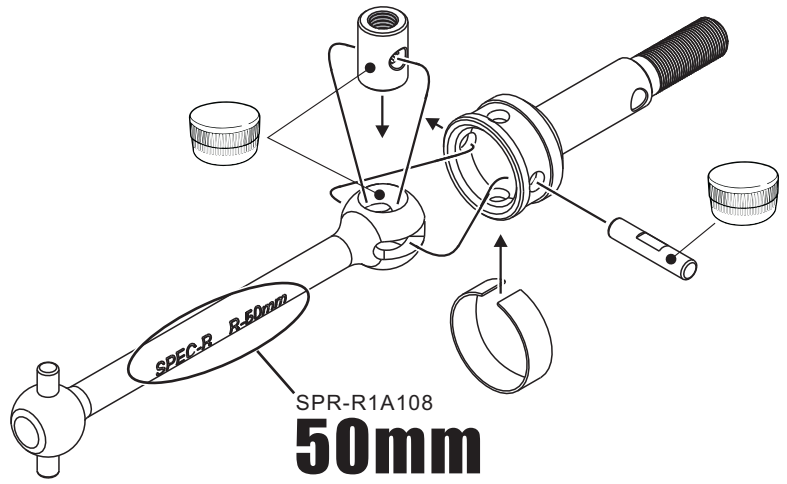
Suspension Mount Adapter (SPR-S1P402)	Toe Angle
	In 2.5°
	In 3.0° <small>(Standard)</small>
	In 3.5°

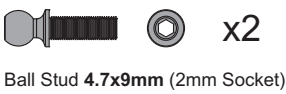
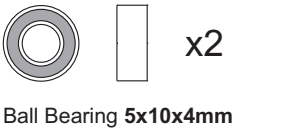
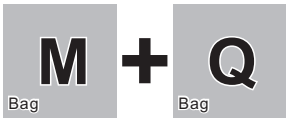
L
 Bag

15

Drive Shaft Assembly (50)

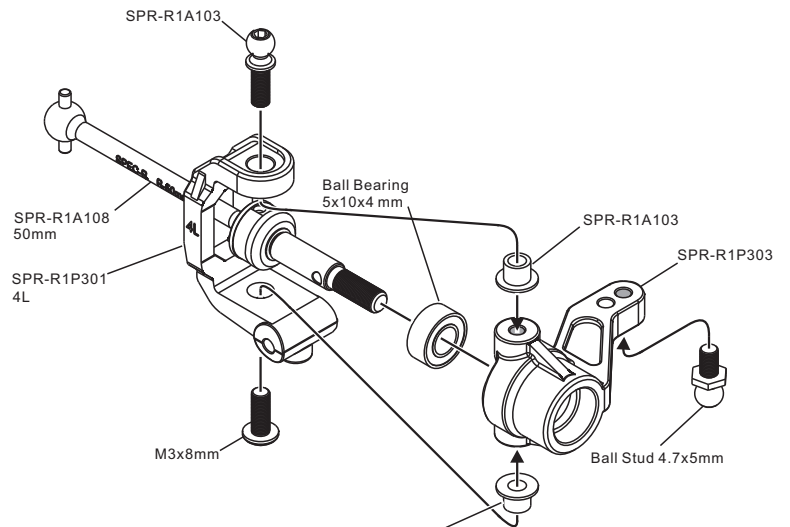
4x Make 4



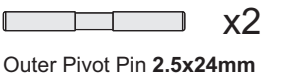
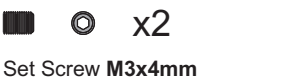
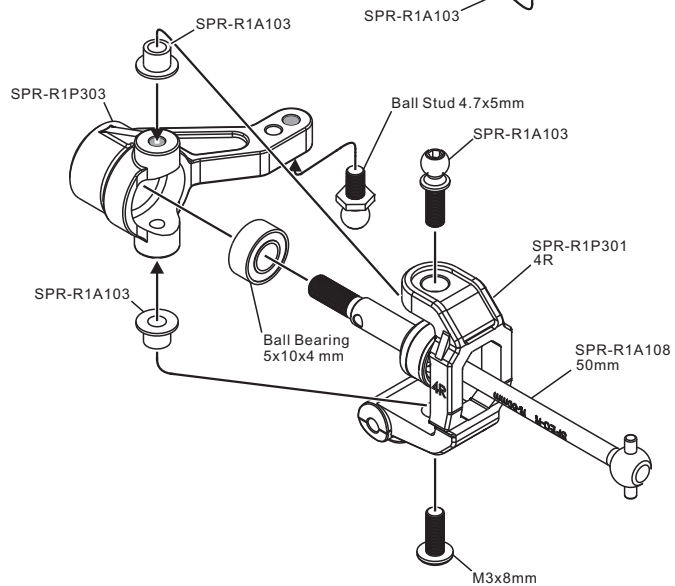


16 Front Hub Carrier Assembly

L Left Links

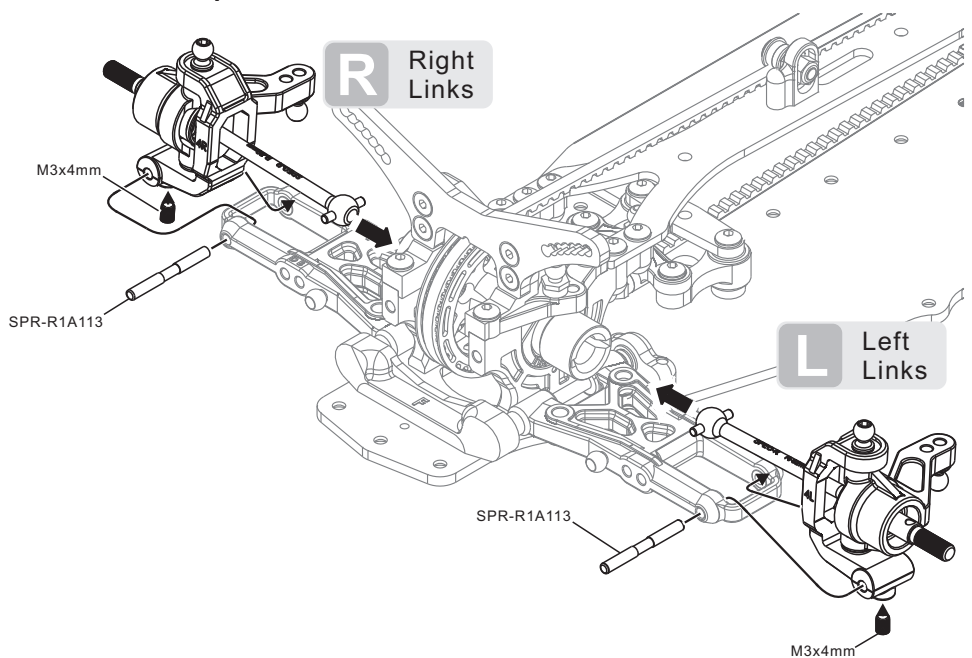


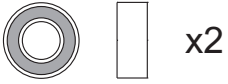
R Right Links



17 Front Suspension Installation

R Right Links





Ball Bearing 5x10x4mm



Ball Stud 4.7x8mm

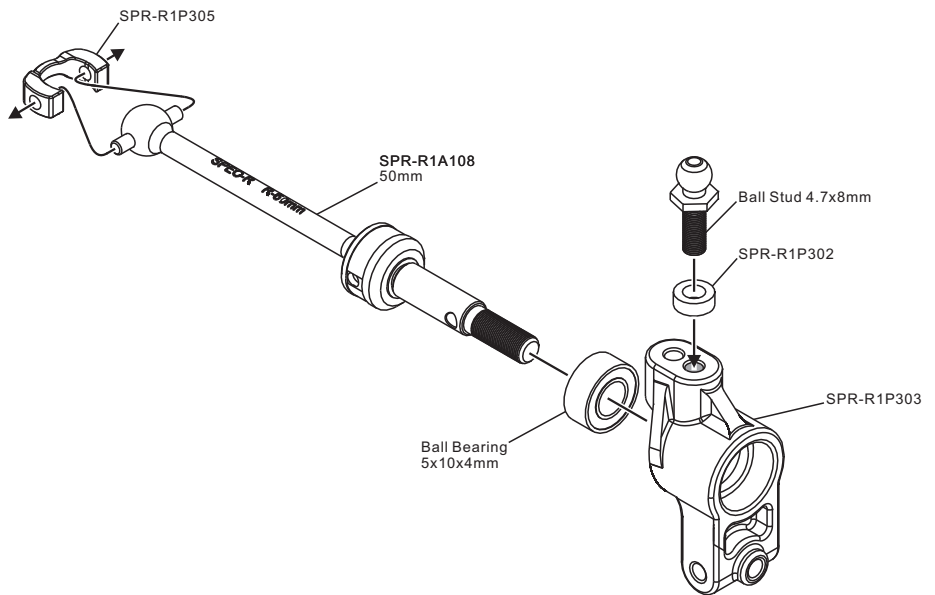


Plastic Spacer 3x5.5x2mm

18

Rear Carrier Assembly

2x Make 2



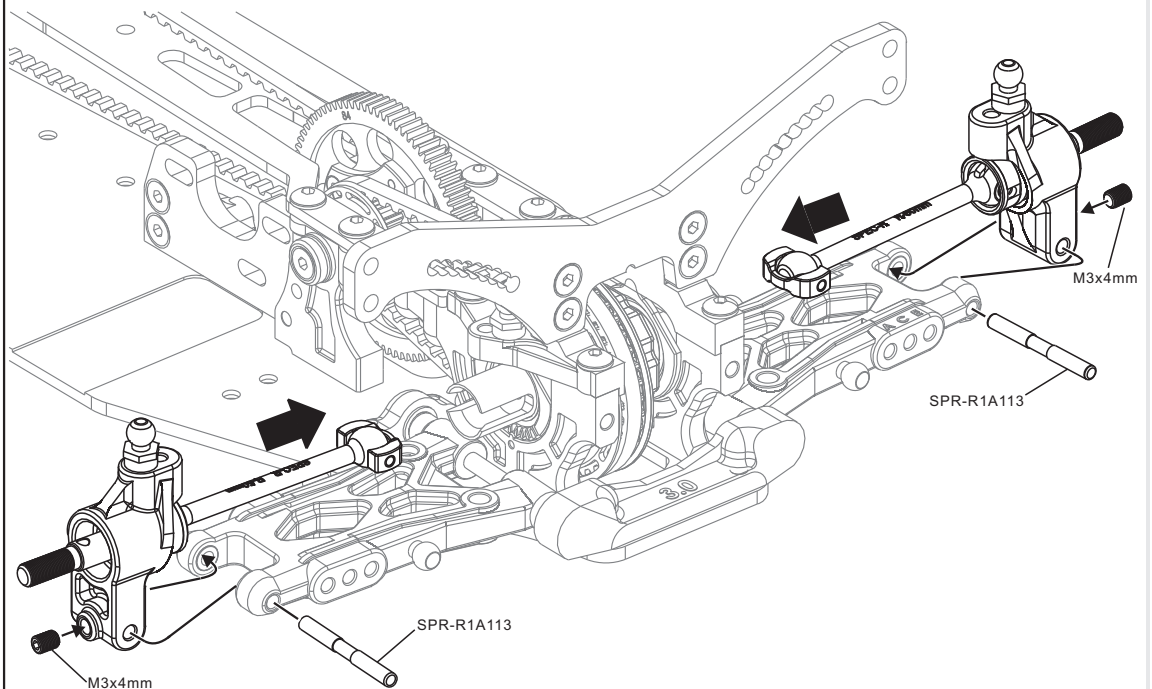
Set Screw M3x4mm



Outer Pivot Pin 2.5x24mm

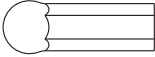
19

Rear Suspension Installation



I + **K**
Bag Bag

N
Bag

 x14

End Cap 4.7x20mm



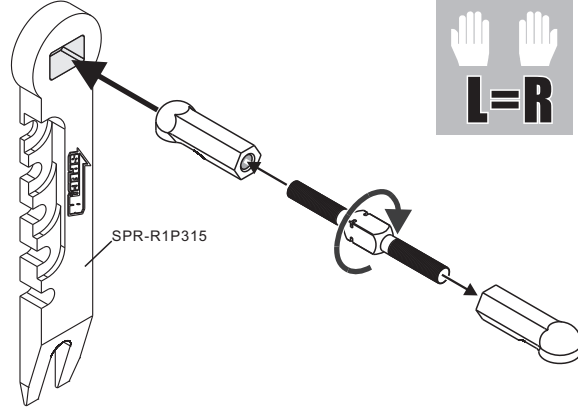
x2
Turnbuckle M3x40mm



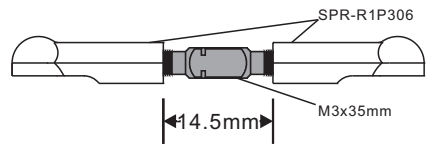
x4
Turnbuckle M3x35mm

 x1
Turnbuckle M3x20mm

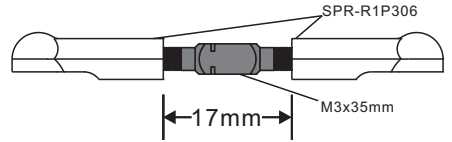
20 Upper Arm and Steering Rod Assembly



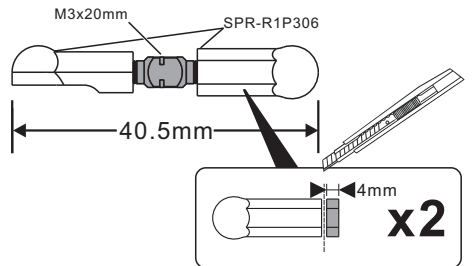
A Front Rod x2



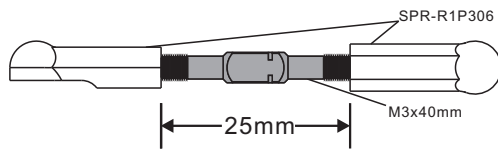
B Rear Rod x2



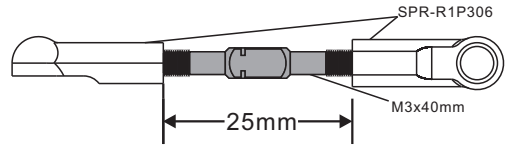
C Steering Rod-1 x1



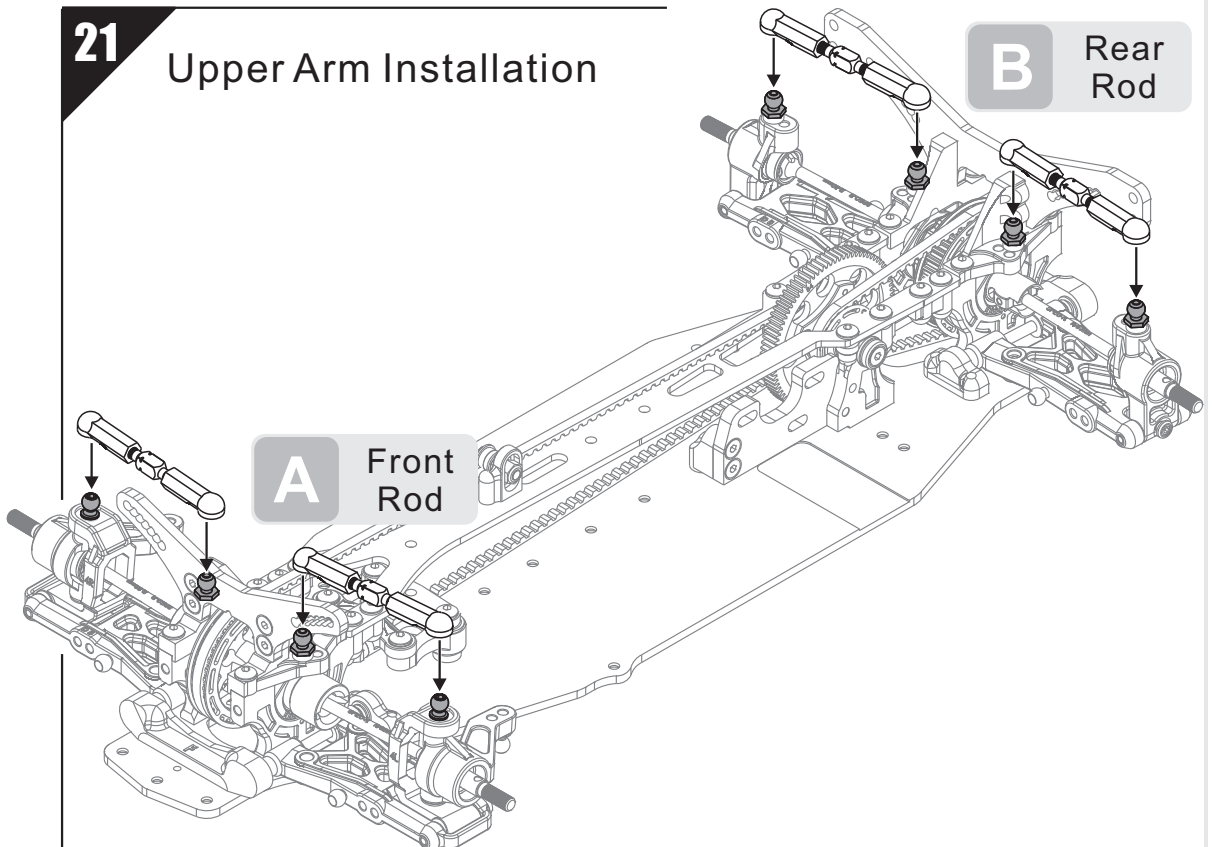
E Steering Rod-L x1



D Steering Rod-R x1

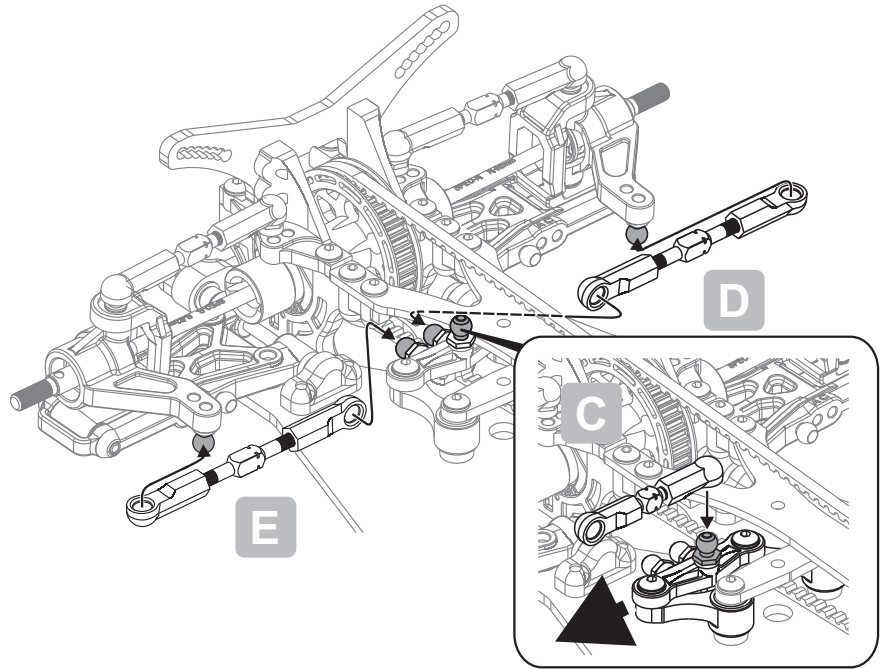


21 Upper Arm Installation



22

Steering Rod Installation



Bag



Shock Shaft 28mm



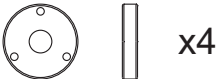
E Clip 2mm



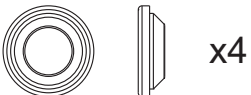
Shaft Guide



O-ring Guide



Shock Piston (Standard)



Bladder 12x3.5mm

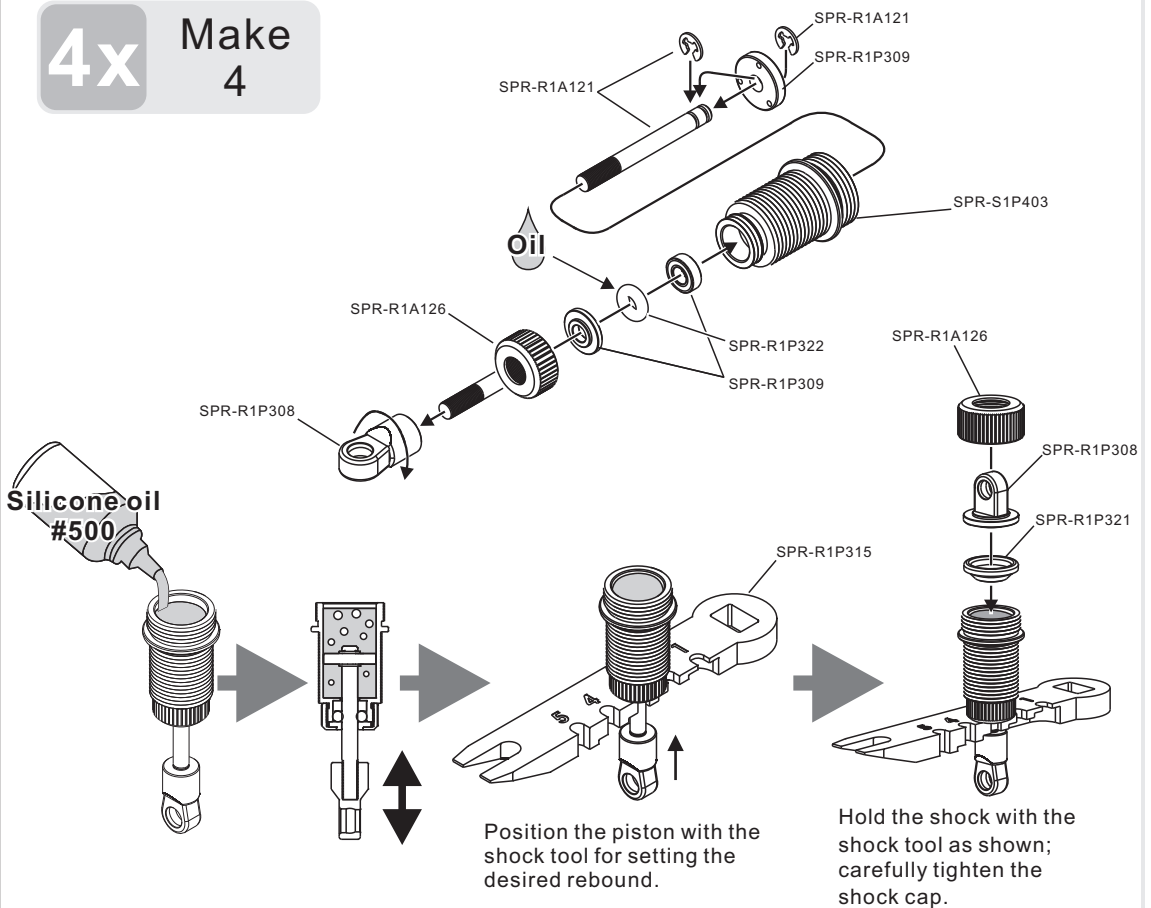


O-ring

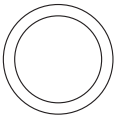
23

Shock Parts Assembly

4x Make 4



P
Bag



O-ring

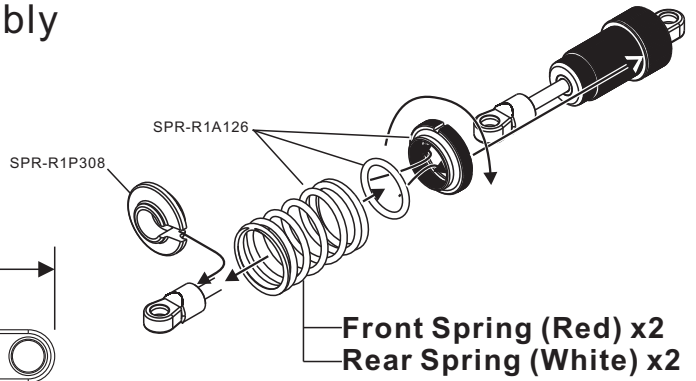
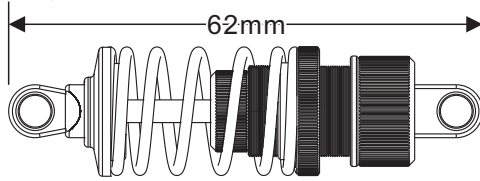


x4

24

Shock Assembly

4x Make 4



Front Spring (Red) x2
Rear Spring (White) x2

P + **M**
Bag Bag



x2

Button Head Screw M3x6



x2

Set Screw M3x8mm

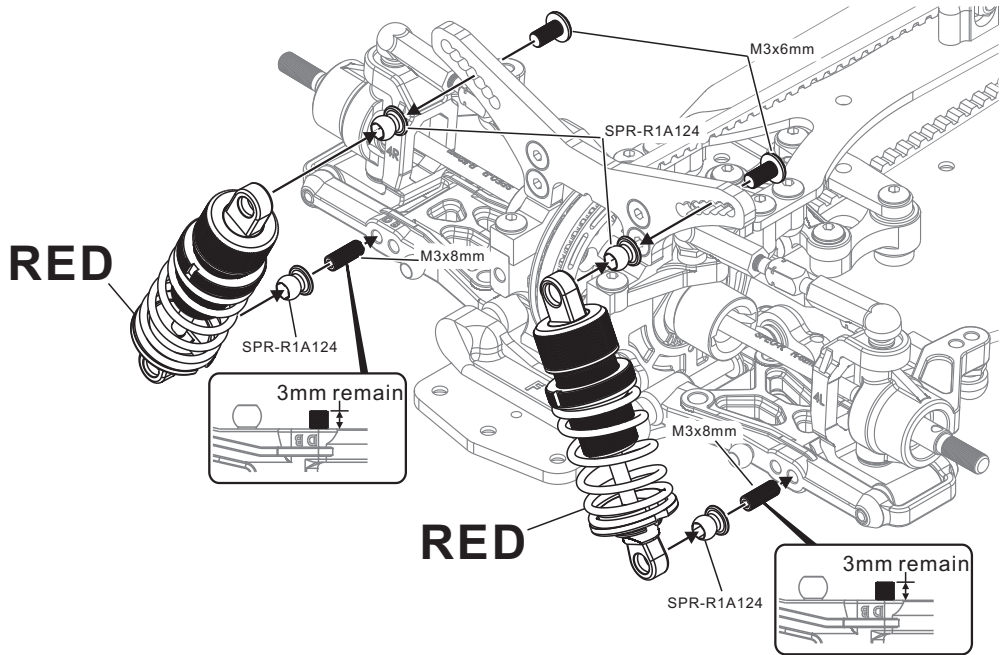


x4

Ball Universal 4.7mm

25

Front Shock Installation



P + **M**
Bag Bag



x2

Button Head Screw M3x6



x2

Set Screw M3x8mm

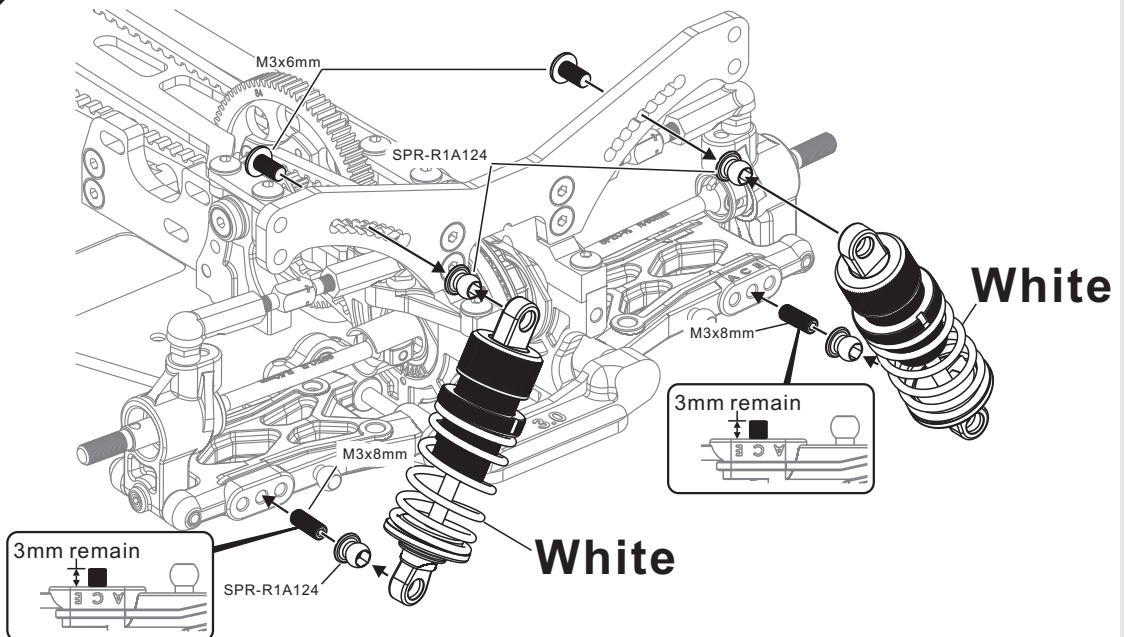


x4



Ball Universal 4.7mm

26

Rear Shock Installation



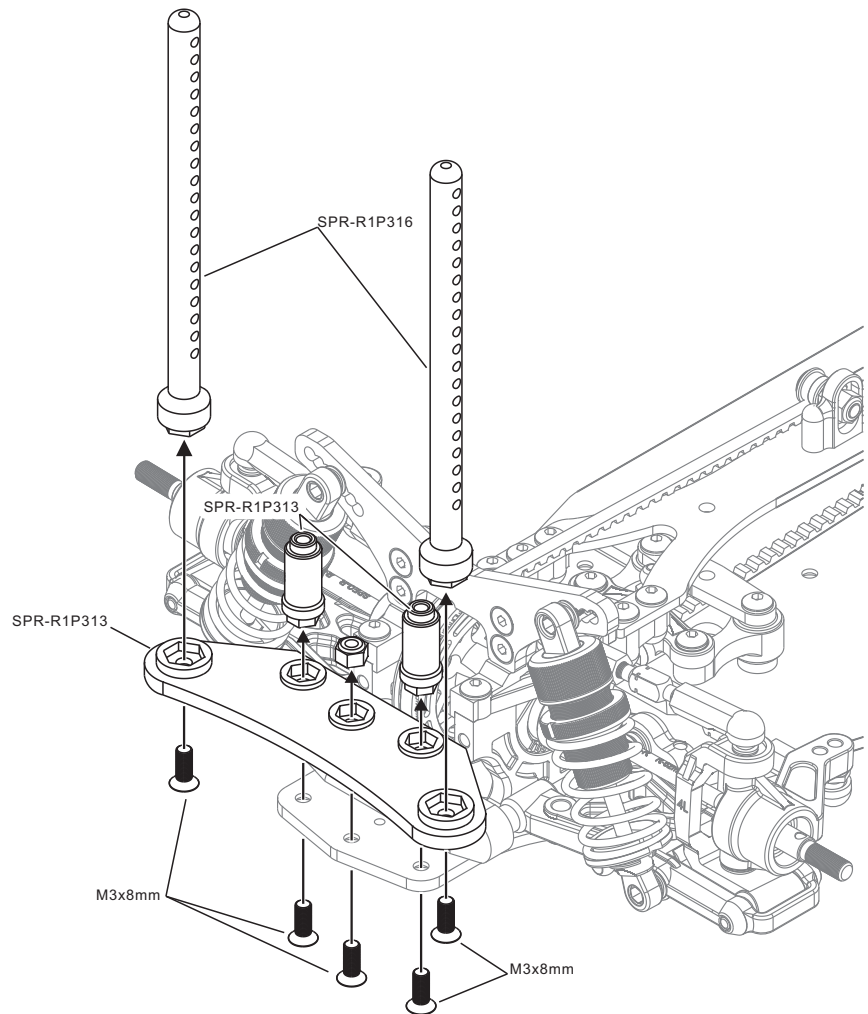
N + **M**
Bag Bag

  x5
Flat Head Screw M3x8mm



  x1
Lock Nut M3

27

Front Body Mount Installation

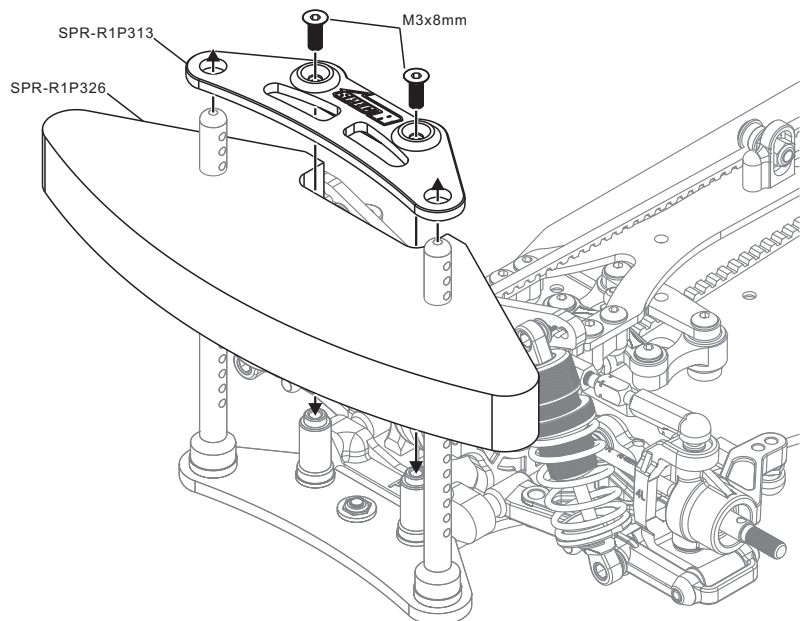


N + **M**
Bag Bag

  x2
Flat Head Screw M3x8mm


28

Bumper Installation

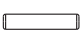



M + **N**
Bag Bag

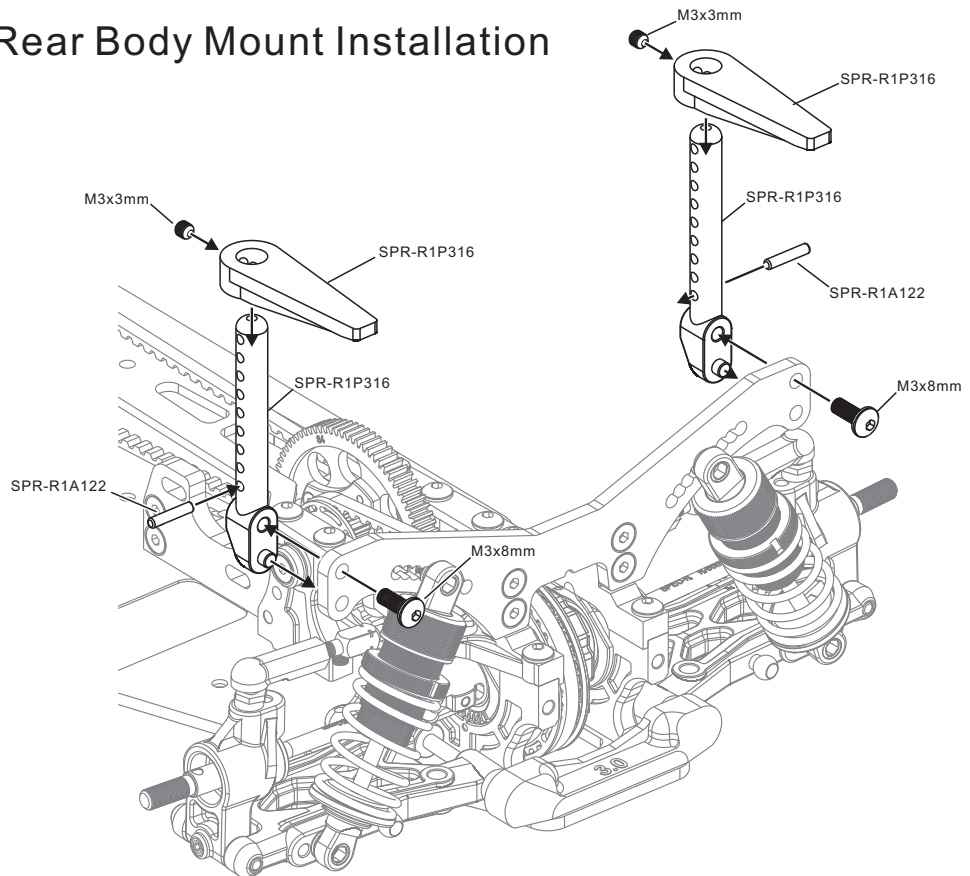
K
Bag

  x2
Button Head Screw M3x8mm

  x2
Set Screw M3x3mm

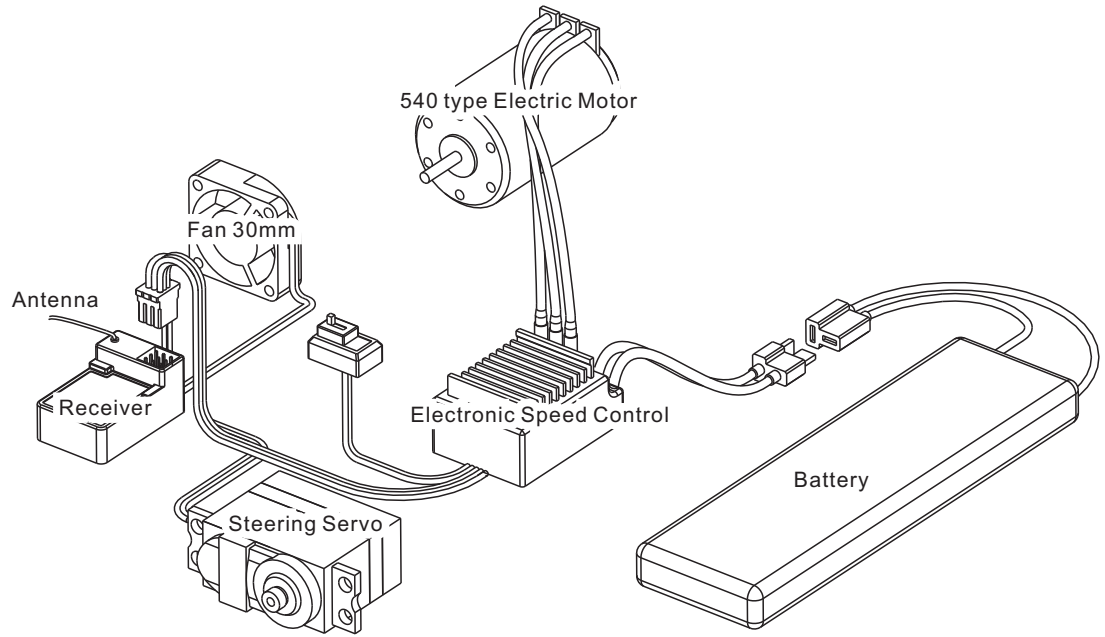
  x2
Pin 2x10mm

29 Rear Body Mount Installation



30 Radio Connections

! All electronics shown are not included





Button Head Screw M3x12mm



Flat Head Screw M3x8mm



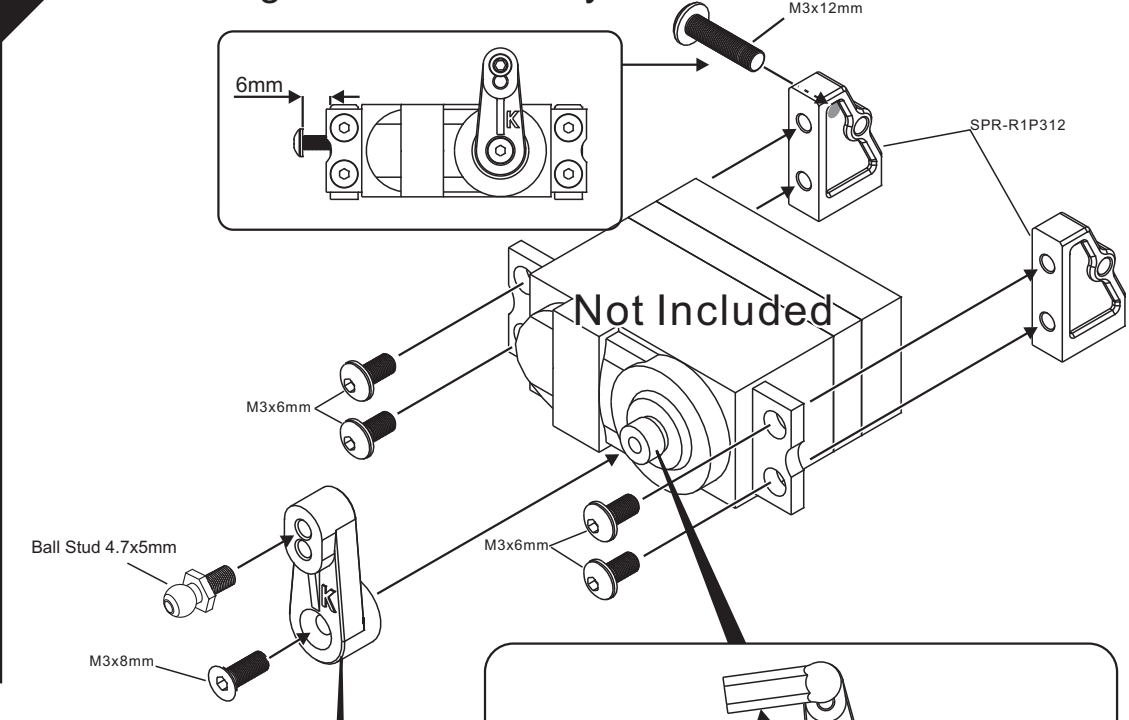
Button Head Screw M3x6



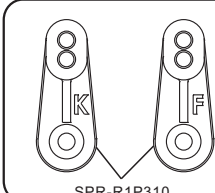
Ball Stud 4.7x5mm

31

Steering Servo Assembly



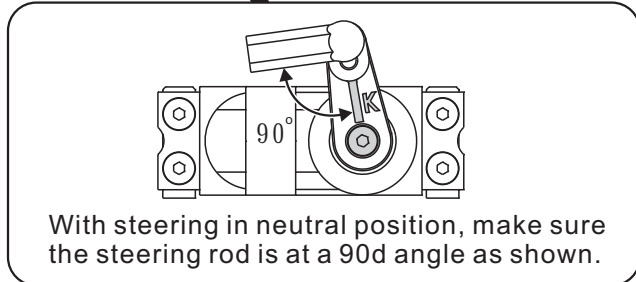
Not Included



K- KO/ Sanwa

F- Futaba

SPR-R1P310



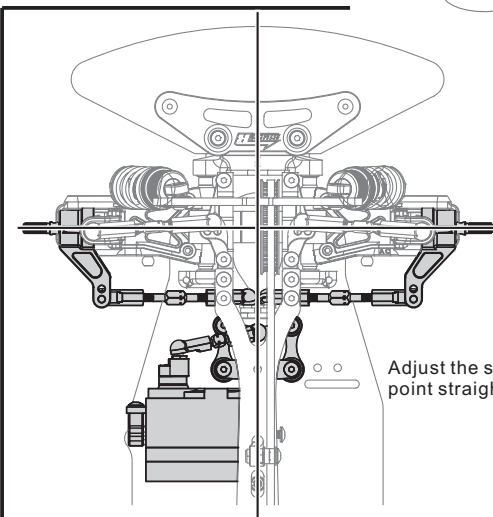
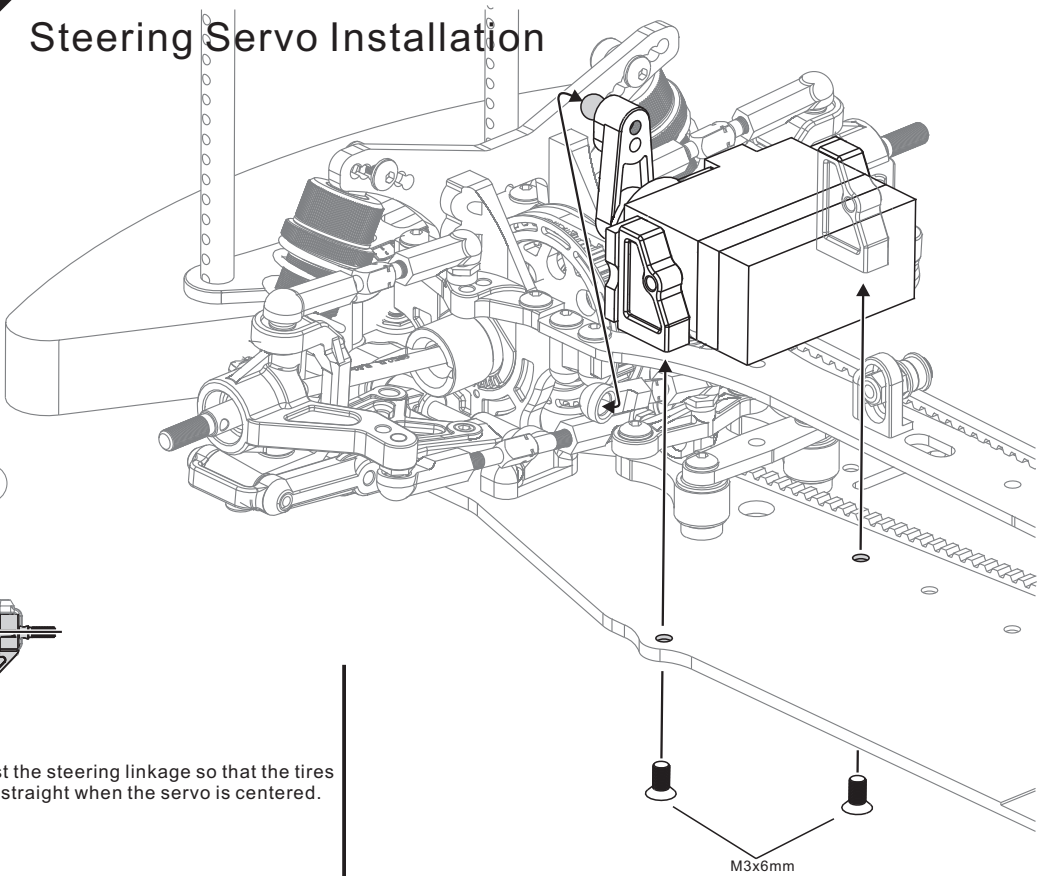
With steering in neutral position, make sure the steering rod is at a 90d angle as shown.



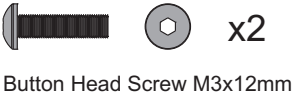
Flat Head Screw M3x6mm

32

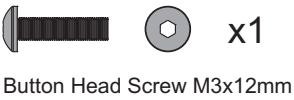
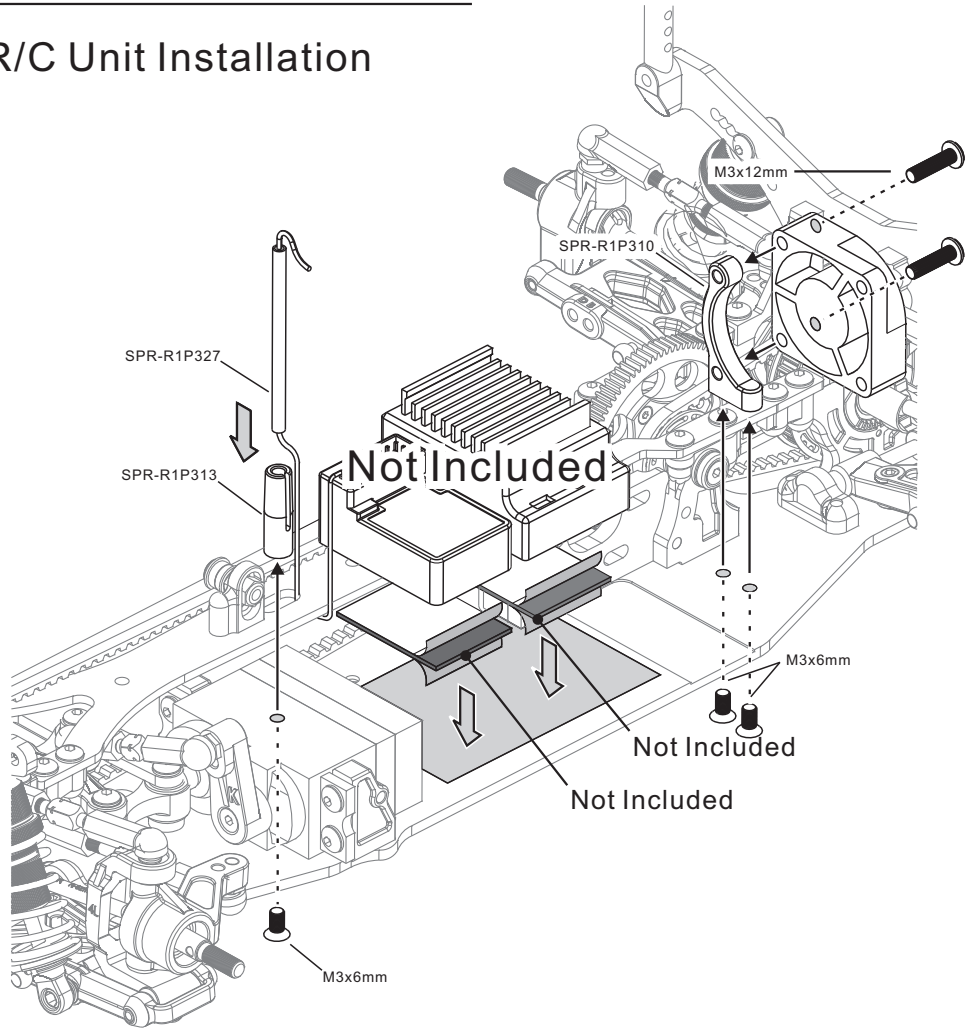
Steering Servo Installation



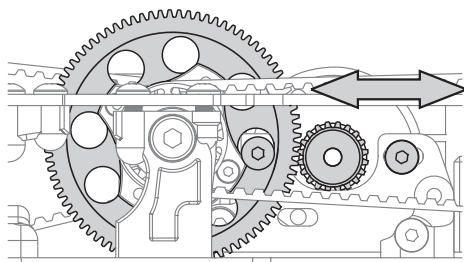
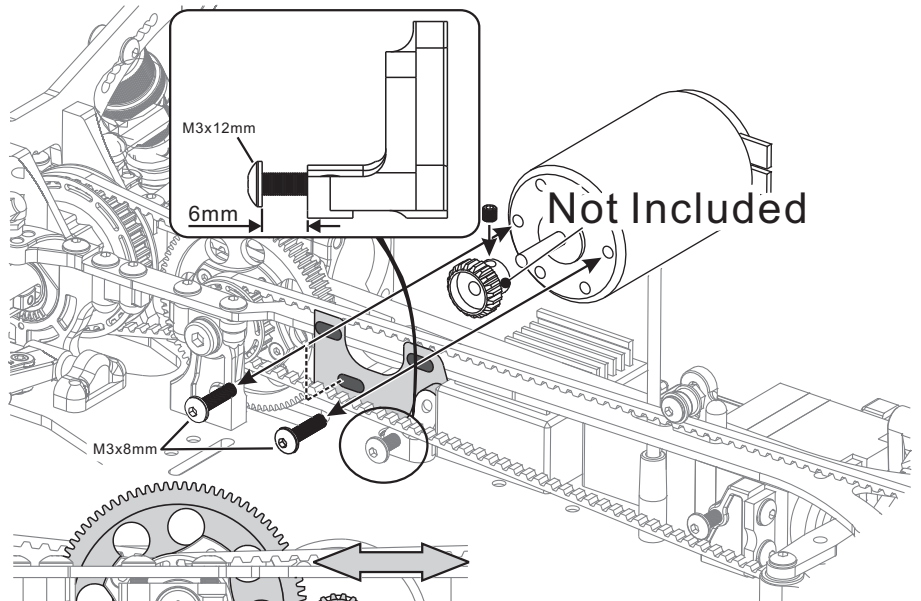
Adjust the steering linkage so that the tires point straight when the servo is centered.



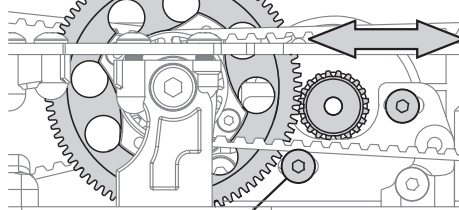
33 R/C Unit Installation



34 Motor Installation



Adjust motor position for smooth gear mesh.



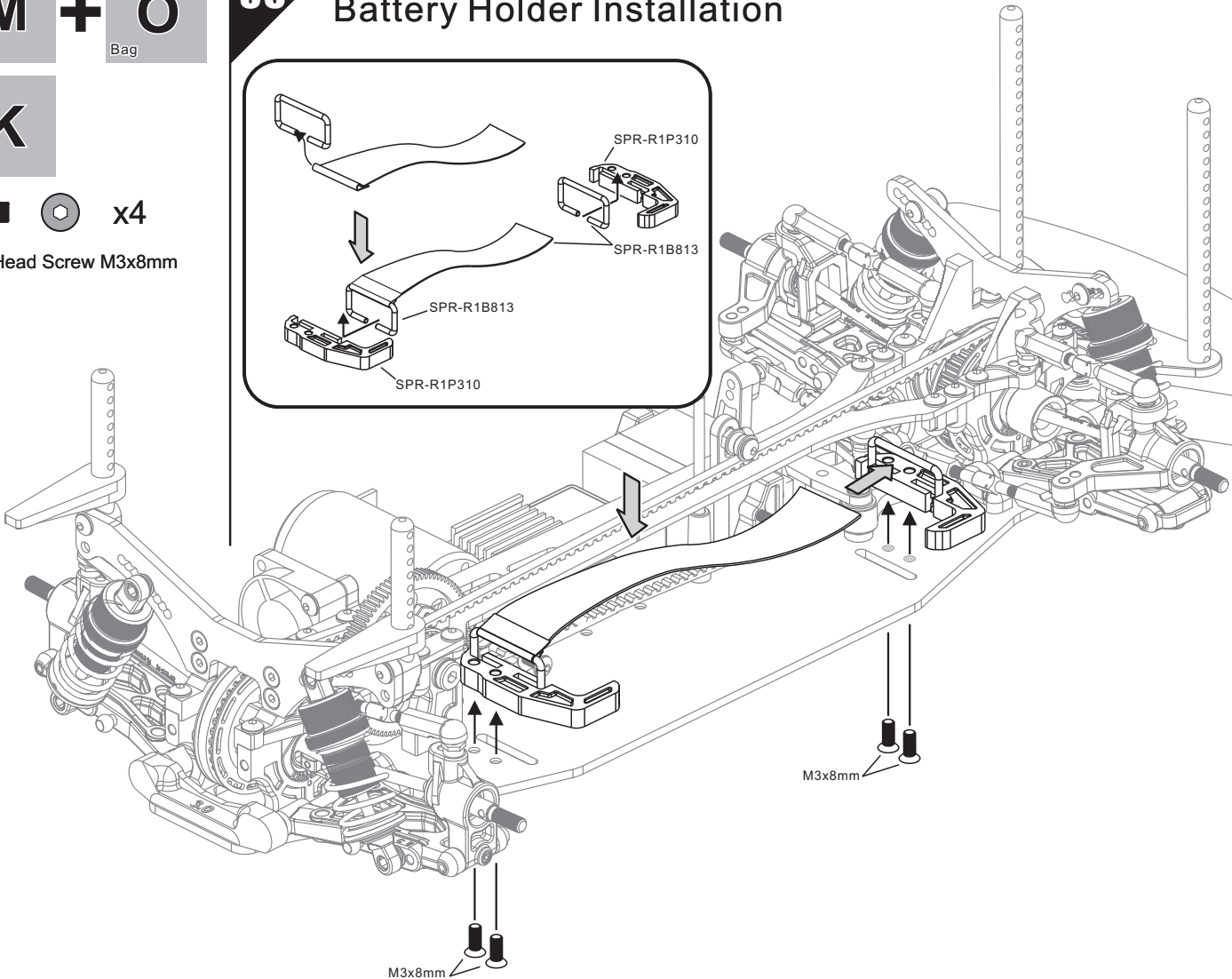
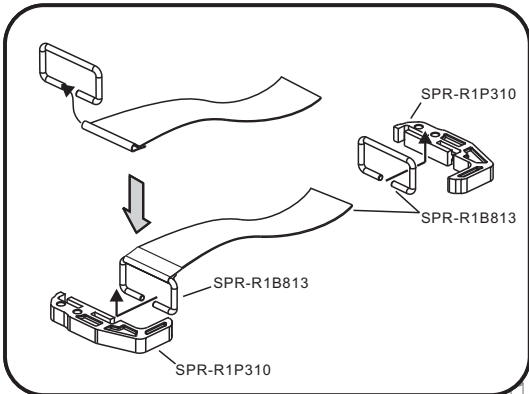
Use this for mounting the motor when a small spur gear is used.

M + **O**
Bag Bag

K
Bag



  x4
Flat Head Screw M3x8mm

35 Battery Holder Installation





M + **Q**
Bag Bag



N
Bag

  x4

Wheel Nut M4

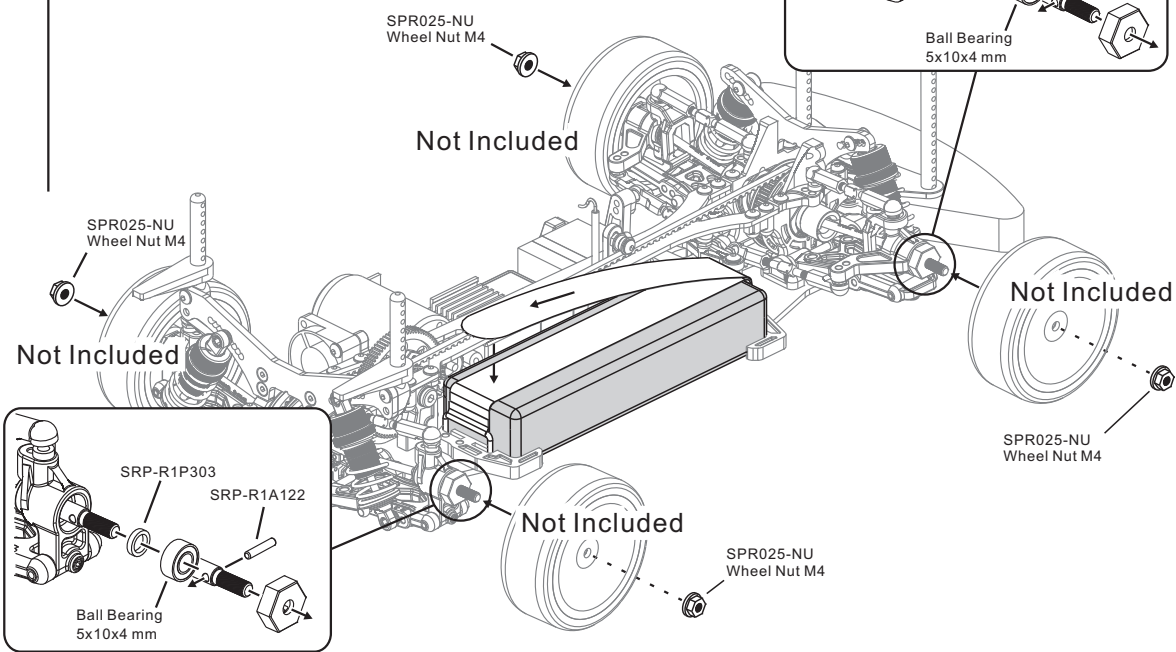
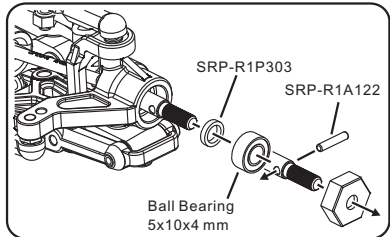
  x4

Ball Bearing 5x10x4mm

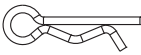
  x4
Plastic Spacer 5x7x1.5mm

  x2
Pin 2x10mm

36 Battery Installation



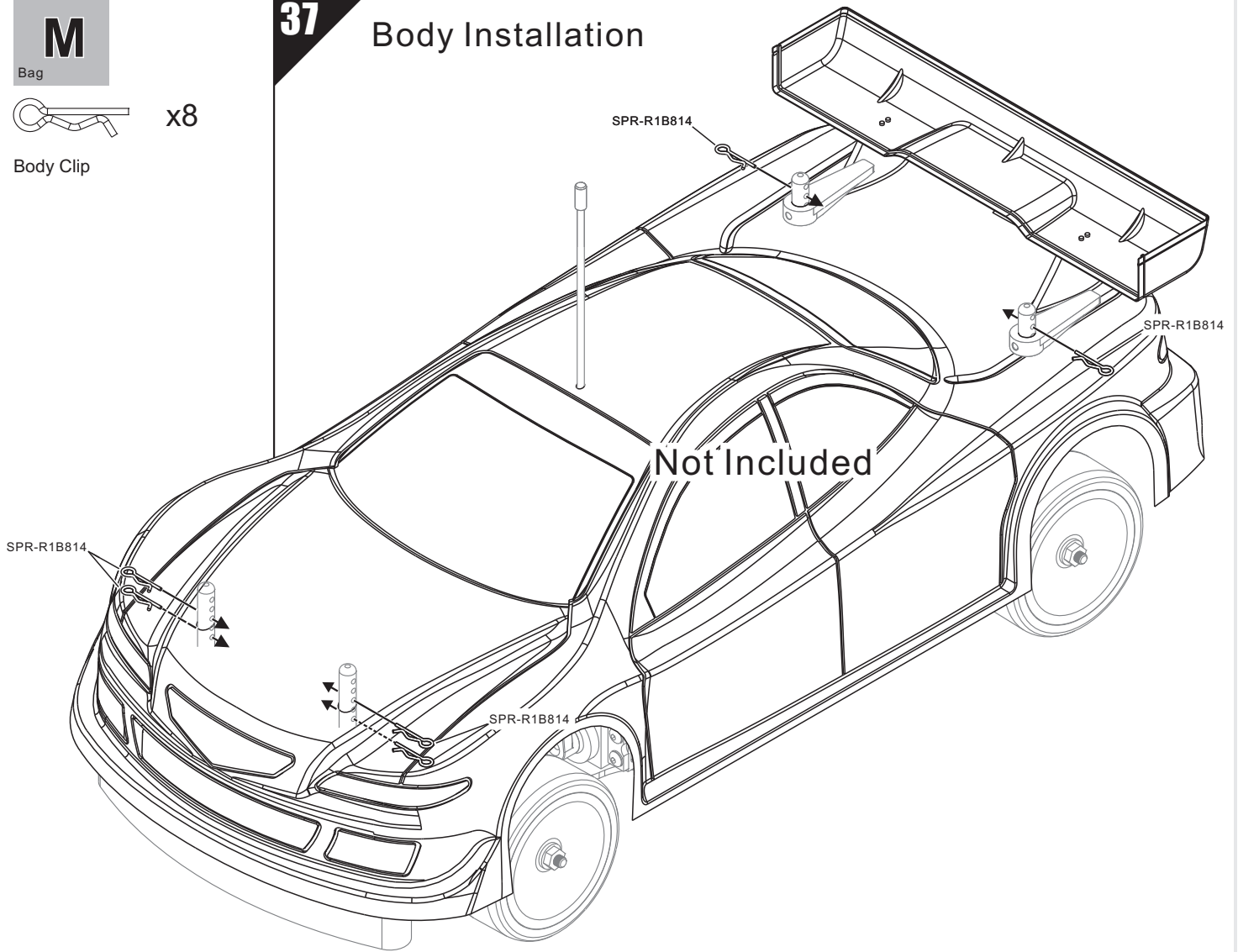
M
Bag



x8

Body Clip

37 Body Installation



Gear Ratio

$$\text{Gear Ratio} = \frac{\text{Spur Gear}}{\text{Pinion Gear}} \times 1.9$$

Gear Ratio	Spur Gear											
	79T	80T	81T	82T	83T	84T	85T	86T	87T	88T	89T	
Pinion Gear	13T	11.55	11.69	11.84	11.98	12.13	12.28	12.42	12.57	12.72	12.86	13.01
	14T	10.72	10.86	10.99	11.13	11.26	11.4	11.54	11.67	11.81	11.94	12.08
	15T	10.01	10.13	10.26	10.39	10.51	10.64	10.77	10.89	11.02	11.15	11.27
	16T	9.38	9.5	9.62	9.74	9.86	9.98	10.09	10.21	10.33	10.45	10.57
	17T	8.83	8.94	9.05	9.16	9.28	9.39	9.5	9.61	9.72	9.84	9.95
	18T	8.34	8.44	8.55	8.66	8.76	8.87	8.97	9.08	9.18	9.29	9.39
	19T	7.9	8	8.1	8.2	8.3	8.4	8.5	8.6	8.7	8.8	8.9
	20T	7.51	7.6	7.69	7.79	7.89	7.98	8.07	8.17	8.26	8.36	8.46
	21T	7.15	7.24	7.33	7.42	7.51	7.6	7.69	7.78	7.87	7.96	8.05
	22T	6.82	6.91	7	7.08	7.17	7.25	7.34	7.43	7.51	7.6	7.69
	23T	6.53	6.61	6.69	6.77	6.86	6.94	7.02	7.1	7.19	7.27	7.35
	24T	6.25	6.33	6.41	6.49	6.57	6.65	6.73	6.81	6.89	6.97	7.05
	25T	6	6.08	6.16	6.23	6.31	6.38	6.46	6.54	6.61	6.69	6.76
	26T	5.77	5.85	5.92	5.99	6.07	6.14	6.21	6.28	6.36	6.43	6.5
27T	5.56	5.63	5.7	5.77	5.84	5.91	5.98	6.05	6.12	6.19	6.26	
28T	5.36	5.43	5.5	5.56	5.63	5.7	5.77	5.84	5.9	5.97	6.04	



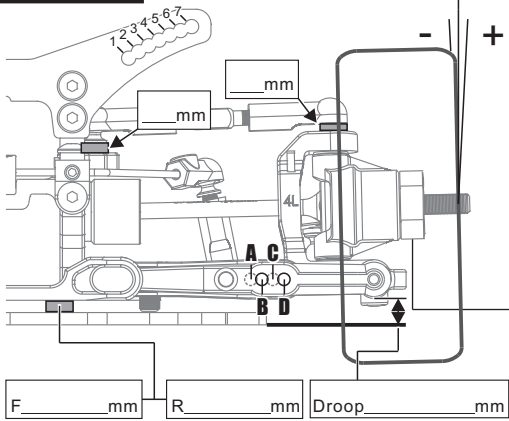
Setup Sheet



Name: _____ Date: _____ Event: _____

Track: _____ Track Condition: _____ Lap Time: _____ Final Position: _____

Front



Camber Angle +/- _____°

Caster Angle _____°

Ride Height _____mm

Sway Bar Ø _____mm

Wheel Hubs _____mm

Spacer _____mm

Front Diff Gear Spool

Diff Oil # _____

Shocks

Shock Oil # _____

Piston

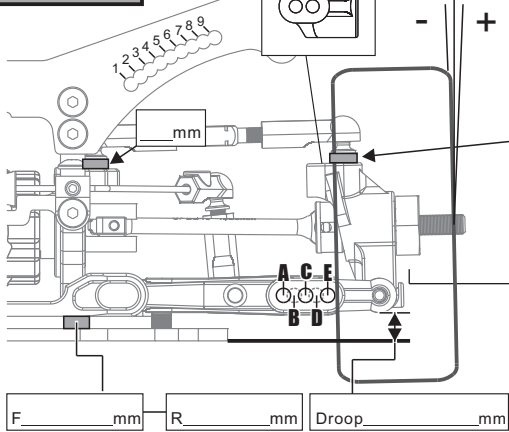
O-ring _____

Rebound _____

Spring _____

Length _____mm

Rear



Camber Angle +/- _____°

Ride Height _____mm

Shim _____mm

Sway Bar Ø _____mm

Wheel Hubs _____mm

Spacer _____mm

Rear Diff Oil # _____

Shocks

Shock Oil # _____

Piston

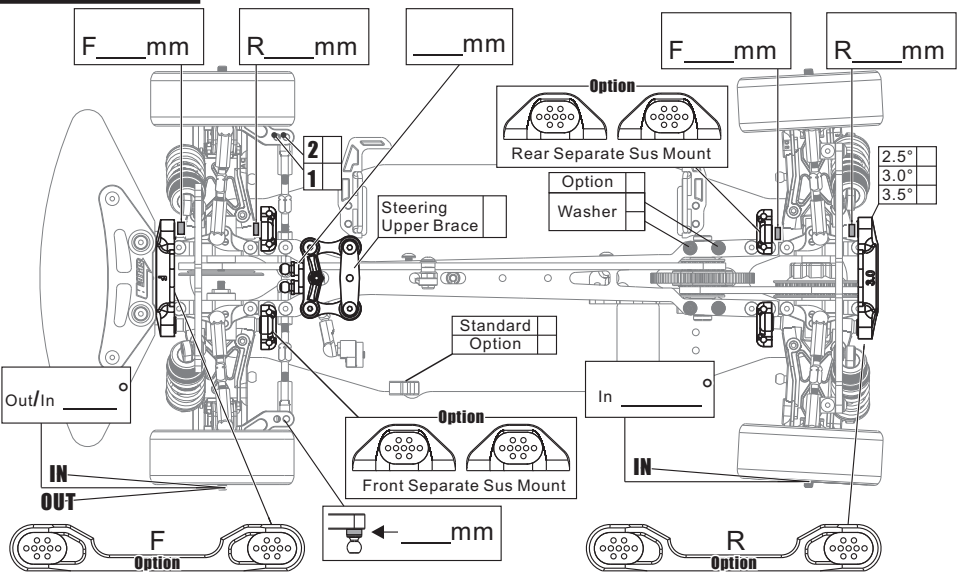
O-ring _____

Rebound _____

Spring _____

Length _____mm

Chassis



Tires

Brand: _____

Compound: _____

Insert: _____

Wheel: _____

Others

Motor: _____

Spur Gear: _____

Pinion Gear: _____

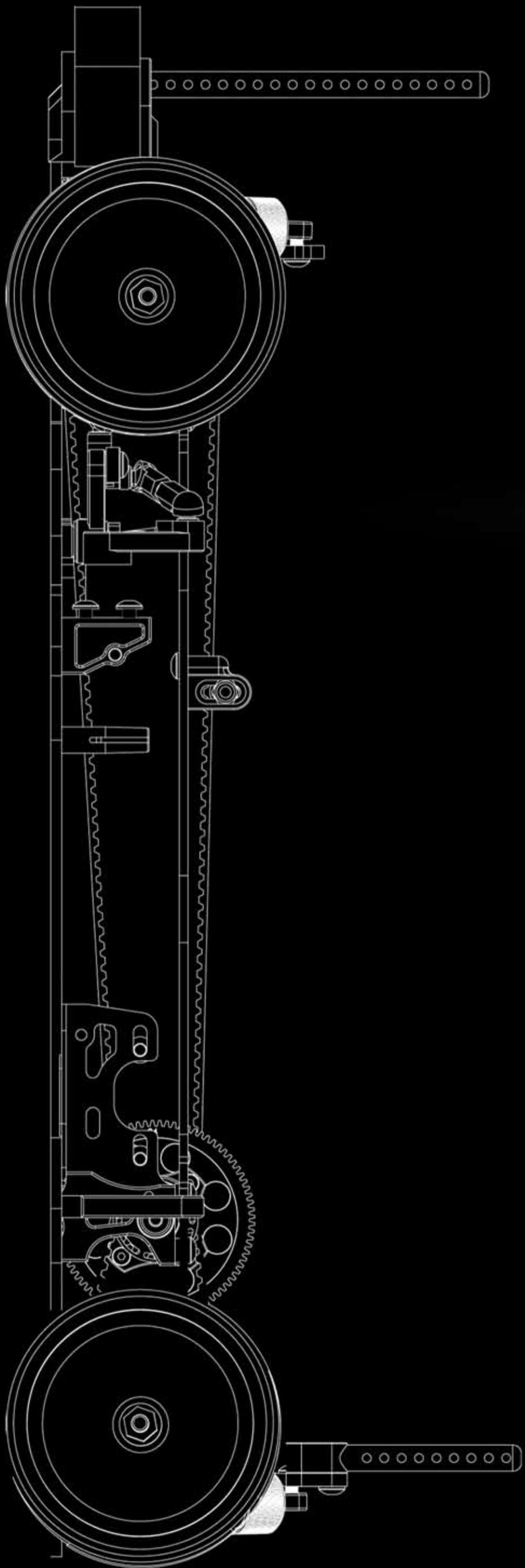
Battery: _____

ESC: _____

Body: _____

Wing: _____

Note: _____



[HTTP://WWW.SPEC-R.COM](http://www.spec-r.com)