



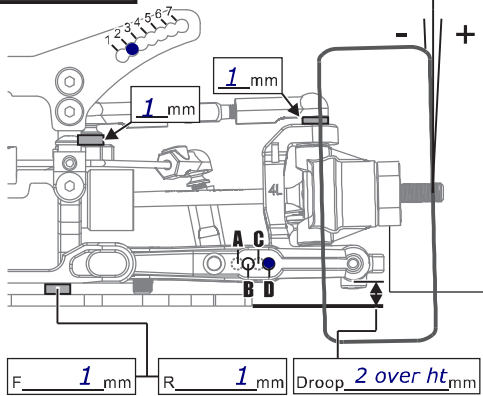
Setup Sheet

Editable by Arn0 at PetitRC.com



Name: Brian Shook Date: 3-10-13 Event: ROAR Carpet Regionals, Region 11
Track: Timezone Raceway Track Condition: Med-High Lap Time: _____ Final Position: Qual 2nd, Finish 3rd

Front



Camber Angle +/- 1°

Front Diff Gear Spool

Caster Angle 4°

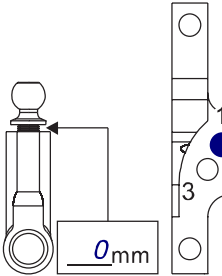
Diff Oil # _____

Ride Height 5mm

Sway Bar Ø 1.5mm

Wheel Hubs stockmm

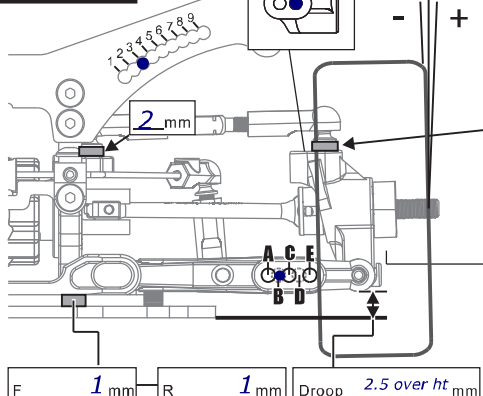
Spacer 0mm



Shocks

Shock Oil # AE 50 wt
Piston
O-ring stock
Rebound 25%
Spring Reflex 16.5
Length 62mm

Rear



Camber Angle +/- 2°

Rear Diff Oil # AE 5000

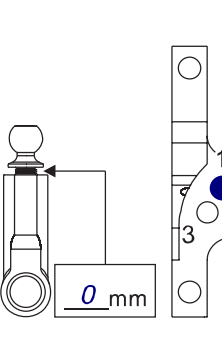
Ride Height 5.5mm

Shim 2mm

Sway Bar Ø 1.2mm

Wheel Hubs stockmm

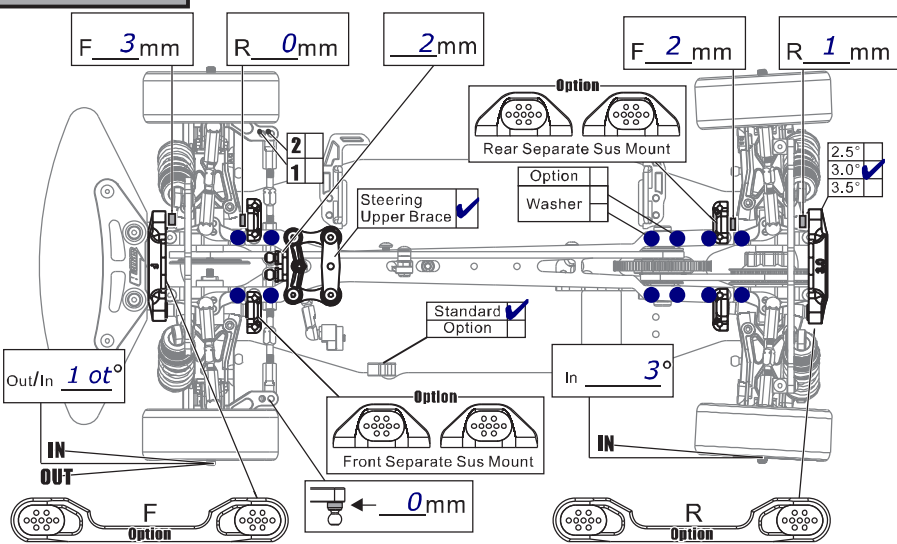
Spacer 0mm



Shocks

Shock Oil # AE 35 wt
Piston
O-ring stock
Rebound 25%
Spring AE silver, 14.5
Length 62mm

Chassis



F 3mm

R 0mm

2mm

F 2mm

R 1mm

Out/In 1 ot°

In 3°



Tires

Brand: Team Powers
Compound: 32
Insert: Pre-Mount
Wheel: Team Powers

Others

Motor: Trinity D3 17.5
Spur Gear: 96
Pinion Gear: 48
Battery: CRC 5300 40C
ESC: Tekin
Body: Mazda Speed6
Wing: cut to ROAR specs, rear

Note: Full Sauce Rear, 3/4 front, SXT. Glue on front sidewall to prevent traction roll. Front and rear chassis stiffening posts