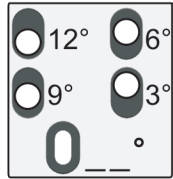
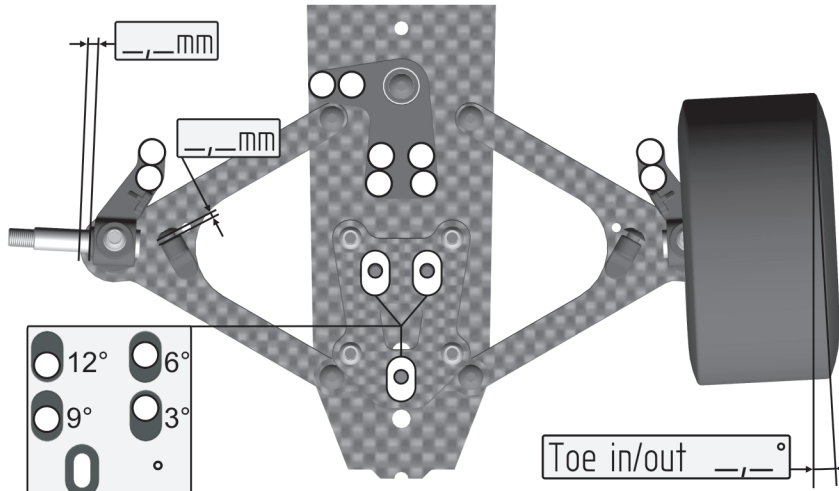
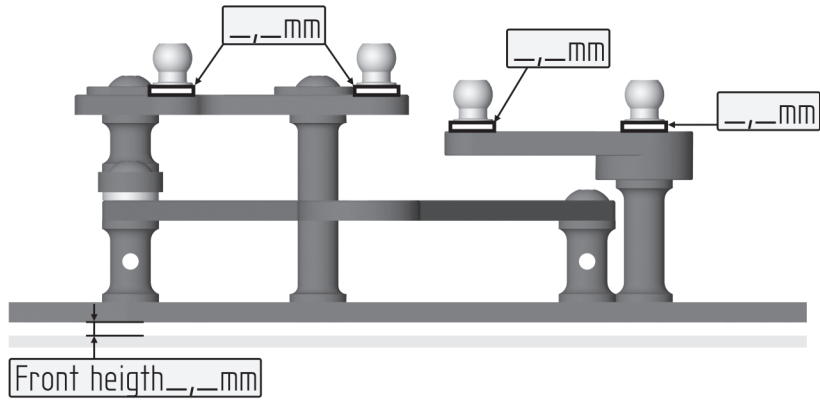


Camber right    °

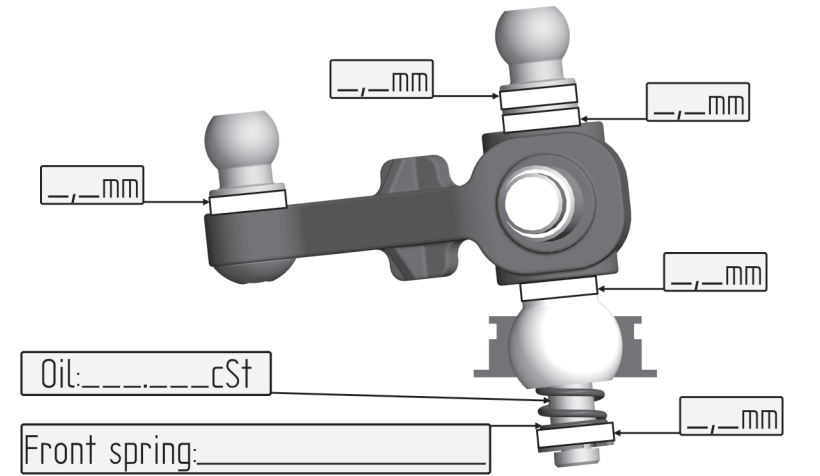
Camber left    °



Toe in/out    °



Front height    mm



Name: \_\_\_\_\_  
 Date: \_\_\_\_\_  
 Event: \_\_\_\_\_  
 Track: \_\_\_\_\_  
 Surface:  Carpet  Asphalt  
 Traction:  high  medium  low  
 Layout:  technical  mixed  fast  
 Best lap: \_\_\_\_\_

**FRONT** **REAR**

Tyres: \_\_\_\_\_  
 Additive \_\_\_\_\_  
 Add. Timing \_\_\_\_\_  
 Additive treated area

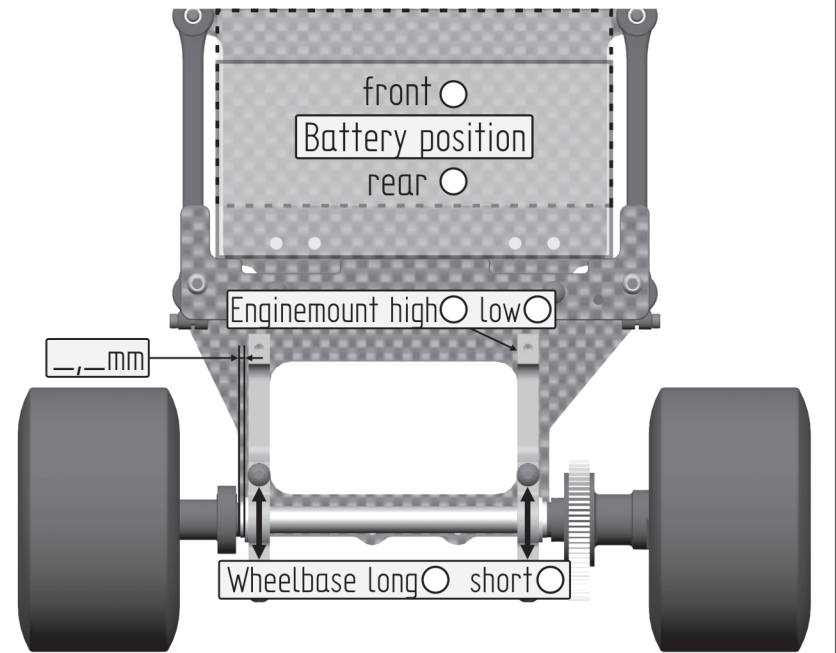
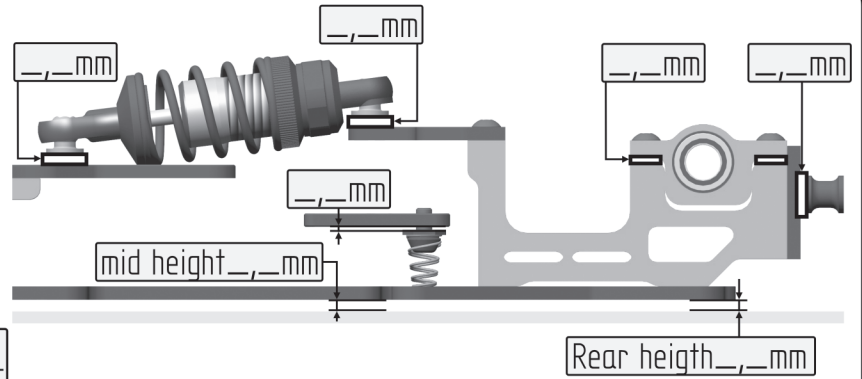
Diff setting:  
 loose  medium  tight

Center shock:  
 Spring: \_\_\_\_\_ Piston: \_\_\_\_\_  
 Oil: \_\_\_\_\_cSt Rebound: \_\_\_\_\_%  
 F.p. spring: \_\_\_\_\_  
 Length: \_\_\_\_\_mm Preload: \_\_\_\_\_mm

Side shock:  
 Spring: \_\_\_\_\_ Oil: \_\_\_\_\_cSt

Gearing:  
    T Pinion     T Spur gear     Drive ratio

Electronics:  
 Motor: \_\_\_\_\_  
 Speedo: \_\_\_\_\_  
 Battery: \_\_\_\_\_  
 Servo: \_\_\_\_\_



Body: \_\_\_\_\_  
 Rear wing: \_\_\_\_\_  
 Front wing: \_\_\_\_\_

Notes: \_\_\_\_\_  
 \_\_\_\_\_  
 \_\_\_\_\_  
 \_\_\_\_\_

